

ABB industrial drives

**Hardware manual**  
**ACS880-01 drives**  
**(0.55 to 250 kW, 0.75 to 350 hp)**



## List of related manuals

<b>Drive hardware manuals and guides</b>	<b>Code (English)</b>
<i>ACS880-01 hardware manual</i>	<a href="#">3AUA0000078093</a>
<i>ACS880-01 quick installation guide for frames R1 to R3</i>	<a href="#">3AUA0000085966</a>
<i>ACS880-01 quick installation guide for frames R4 and R5</i>	<a href="#">3AUA0000099663</a>
<i>ACS880-01 quick installation guide for frames R6 to R9</i>	<a href="#">3AUA0000099689</a>
<i>ACS880-01 +P940/+P944 drives for cabinet installation supplement</i>	<a href="#">3AUA0000145446</a>
<i>ACS880-01 assembly drawings for cable entry boxes of IP21 frames R5 to R9</i>	<a href="#">3AUA0000119627</a>
<i>ACS880-01 +H358 gland plate installation guide</i>	<a href="#">3AD50000034735</a>
<i>ACS-AP-x assistant control panels user's manual</i>	<a href="#">3AUA0000085685</a>
<i>Vibration dampers for ACS880-01 drives (frames R4 and R5, option +C131) installation guide</i>	<a href="#">3AXD50000010497</a>
<i>Vibration dampers for ACS880-01 drives (frames R6 to R9, option +C131) installation guide</i>	<a href="#">3AXD50000013389</a>
<i>ACS880-01/04 +C132 marine type-approved drives supplement</i>	<a href="#">3AXD50000010521</a>
<i>ACS880-01 +N7502 drives for SYnRM motors (0.8 to 200 kW) supplement</i>	<a href="#">3AXD50000029482</a>
<i>Flange mounting kit installation supplement</i>	<a href="#">3AXD50000019100</a>
<i>Flange mounting kit quick installation guide for ACS880-01 frames R1 to R3</i>	<a href="#">3AXD50000026158</a>
<i>Flange mounting kit quick installation guide for ACS880-01 frames R4 to R5</i>	<a href="#">3AXD50000026159</a>
<i>Flange mounting kit quick installation guide for ACS880-01 and ACS580-01 frames R6 to R9</i>	<a href="#">3AXD50000019099</a>
<i>Common mode filter kit for ACS880-01 drives (frame R6, option +E208) installation guide</i>	<a href="#">3AXD50000015178</a>
<i>Common mode filter kit for ACS880-01 drives (frame R7, option +E208) installation guide</i>	<a href="#">3AXD50000015179</a>
<i>Common mode filter kit for ACS880-01 drives (frame R8, option +E208) installation guide</i>	<a href="#">3AXD50000015180</a>
<i>Common mode filter kit for ACS880-01 drives (frame R9, option +E208) installation guide</i>	<a href="#">3AXD50000015201</a>
<i>ACS880-01 drives and ACS880-04 drive modules common DC systems application guide</i>	<a href="#">3AUA0000127818</a>
<b>Drive firmware manuals and guides</b>	
<i>ACS880 primary control program firmware manual</i>	<a href="#">3AUA0000085967</a>
<i>Quick start-up guide for ACS880 drives with primary control program</i>	<a href="#">3AUA0000098062</a>

### Option manuals and guides

*Manuals and quick guides for I/O extension modules, fieldbus adapters, etc.*

You can find manuals and other product documents in PDF format on the Internet. See section [Document library on the Internet](#) on the inside of the back cover. For manuals not available in the Document library, contact your local ABB representative.

The code below opens an online listing of the manuals applicable to this product.



# Hardware manual

**ACS880-01 drives**  
**(0.55 to 250 kW, 0.75 to 350 hp)**

Table of contents



1. Safety instructions



4. Mechanical installation



6. Electrical installation



8. Start-up





# Table of contents

---

List of related manuals .....	2
-------------------------------	---

## **1. Safety instructions**

What this chapter contains .....	13
Use of warnings .....	13
Safety in installation and maintenance .....	14
Electrical safety .....	14
Grounding .....	15
Permanent magnet motor drives .....	16
General safety .....	17
Printed circuit boards .....	18
Safe start-up and operation .....	18
General safety .....	18
Permanent magnet motor drives .....	19



## **2. Introduction to the manual**

What this chapter contains .....	21
Target audience .....	21
Contents of the manual .....	21
Related manuals .....	22
Categorization by frame size and option code .....	22
Quick installation, start-up and operating flowchart .....	23
Terms and abbreviations .....	24

## **3. Operation principle and hardware description**

What this chapter contains .....	27
Product overview .....	27
Main circuit .....	28
Layout (IP21, UL Type 1) .....	29
Layout (IP55, option +B056) .....	30
Layout (UL Type 12, option +B056) .....	31
Layout (IP20 – UL Open Type, options +P940 and +P944) .....	31
Overview of power and control connections .....	32
External control connection terminals .....	33
Control panel .....	34
Control panel mounting platform cover .....	34
Control panel door mounting kits .....	34
Type designation label .....	34
Type designation key .....	35

## **4. Mechanical installation**

What this chapter contains .....	39
Safety .....	39

---

Examining the installation site .....	40
Necessary tools .....	40
Moving the drive .....	41
Unpacking and examining the delivery (frames R1 to R5) .....	42
Frame R5 cable entry box (IP21, UL Type 1) .....	44
Unpacking and examining the delivery (frames R6 to R9) .....	45
Frame R6 cable entry box (IP21, UL Type 1) .....	47
Frame R7 cable entry box (IP21, UL Type 1) .....	48
Frame R8 cable entry box (IP21, UL Type 1) .....	49
Frame R9 cable entry box (IP21, UL Type 1) .....	50
Installing the drive .....	51
Installing vibration dampers (option +C131) .....	51
Frames R1 to R4 (IP21, UL Type 1) .....	51
Frames R5 to R9 (IP21, UL Type 1) .....	53
Frames R1 to R9 (IP55, UL Type 12) .....	55
Flange mounting .....	57
Cabinet installation .....	57
Cooling .....	57
Grounding inside the cabinet .....	58
Installing drives above one another .....	58



## **5. Planning the electrical installation**

What this chapter contains .....	59
Limitation of liability .....	59
Selecting the supply disconnecting device .....	59
European Union .....	60
Other regions .....	60
Selecting and dimensioning the main contactor .....	60
Checking the compatibility of the motor and drive .....	60
Protecting the motor insulation and bearings .....	61
Requirements table .....	61
Additional requirements for ABB motors of types other than M2_, M3_, M4_, HX_ and AM_ .....	64
Additional requirements for ABB high-output and IP23 motors .....	65
Additional requirements for non-ABB high-output and IP23 motors .....	66
Additional data for calculating the rise time and the peak line-to-line voltage .....	67
Additional note for sine filters .....	69
Selecting the power cables .....	69
General rules .....	69
Typical power cable sizes .....	70
Alternative power cable types .....	73
Recommended power cable types .....	73
Power cable types for limited use .....	73
Not allowed power cable types .....	74
Motor cable shield .....	75
Additional US requirements .....	75
Conduit .....	75
Armored cable / shielded power cable .....	76
Selecting the control cables .....	76
Shielding .....	76

Signals in separate cables	76
Signals allowed to be run in the same cable	76
Relay cable type	76
Control panel cable length and type	77
Routing the cables	77
Separate control cable ducts	78
Continuous motor cable shield or enclosure for equipment on the motor cable	78
Implementing thermal overload and short-circuit protection	78
Protecting the drive and input power cable in short-circuits	78
Circuit breakers	79
Protecting the motor and motor cable in short-circuits	82
Protecting the drive and the input power and motor cables against thermal overload	82
Protecting the motor against thermal overload	82
Protecting the drive against ground faults	83
Residual current device compatibility	83
Connecting drives to a common DC system	83
Implementing the Emergency stop function	83
Implementing the Safe torque off function	83
Implementing the safety functions with the FSO module	83
Declaration of Conformity	84
Implementing the ATEX-certified Safe motor disconnection function (option +Q971)	84
Implementing the Power-loss ride-through function	84
Using power factor compensation capacitors with the drive	84
Using a contactor between the drive and the motor	85
Implementing a bypass connection	85
Example bypass connection	86
Switching the motor power supply from drive to direct-on-line	87
Switching the motor power supply from direct-on-line to drive	87
Protecting the contacts of relay outputs	87
Implementing a motor temperature sensor connection	89
Drive I/O, I/O extension and encoder interface modules	89



## 6. Electrical installation

What this chapter contains	91
Warnings	91
Checking the insulation of the assembly	91
Drive	91
Input power cable	91
Motor and motor cable	92
Brake resistor assembly	92
Checking the compatibility with IT (ungrounded) and corner-grounded TN systems	93
EMC filter	93
Ground-to-phase varistor	93
690 V drives	93
Connecting the power cables	94
Connection diagram	94
Connection procedure for frames R1 to R3	95
Connection procedure for frames R4 and R5	98
Connection procedure for frames R6 to R9	103
Grounding the motor cable shield at the motor end	110

DC connection	110
Connecting the control cables	110
Default I/O connection diagram	111
Notes:	112
Jumpers and switches	112
External power supply for the control unit (XPOW)	113
AI1 and AI2 as Pt100, Pt1000, PTC and KTY84 sensor inputs (XAI, XAO)	113
Drive-to-drive link (XD2D)	114
DIIL input (XD24:1)	114
DI6 (XDI:6) as PTC sensor input	115
Safe torque off (XSTO)	115
Safety functions module connection (X12)	115
Control cable connection procedure	116
Connecting a PC	118
Controlling several drives through panel bus	119
Installing optional modules	121
Mechanical installation of I/O extension, fieldbus adapter and pulse encoder interface modules	121
Wiring I/O extension, fieldbus adapter and pulse encoder interface modules	122
Installation of safety functions modules	123
Installation procedure into Slot 2	123
Installation next to the control unit on frames R7 to R9	125

## **7. Installation checklist**

What this chapter contains	127
Checklist	127

## **8. Start-up**

What this chapter contains	129
Startup procedure	129

## **9. Fault tracing**

What this chapter contains	131
LEDs	131
Warning and fault messages	131

## **10. Maintenance**

What this chapter contains	133
Maintenance intervals	133
Descriptions of symbols	134
Recommended annual maintenance actions by the user	134
Recommended maintenance intervals after start-up	134
Heatsink	134
Fans	135
Replacing the main cooling fan of frames R1 to R3	136
Replacing the auxiliary cooling fan of IP55 frames R1 to R3	137
Replacing the main cooling fan of frames R4 and R5	138
Replacing the auxiliary cooling fan of frames R4 and R5 (IP55 and option +C135)	138





and IP21 frame R5 types ACS880-01-xxxx-7	139
Replacing the main cooling fan of frames R6 to R8	140
Replacing the auxiliary cooling fan of frames R6 to R9	141
Replacing the IP55 auxiliary cooling fan of frames R8 and R9	142
Replacing the main cooling fans of frame R9	144
Replacing the drive (IP21, UL Type 1, frames R1 to R9)	145
Capacitors	146
Reforming the capacitors	147
Memory unit	147
Replacing the memory unit	147
Replacing the control panel battery	148
Replacing the control unit battery	148
Replacing safety functions modules (FSO-12, option +Q973 and FSO-21, option +Q972)	148

## 11. Technical data

What this chapter contains	149
Marine type-approved drives (option +C132)	149
Drives for SynRM motors	149
Ratings	150
Definitions	156
Derating	158
Ambient temperature derating	158
IP21 (UL Type 1) drive types and other IP55 (UL Type 12) types than listed in the following subheadings	158
IP55 (UL Type 12) drive types -274A-2, 293A-3, -260A-5, -302A-5 and -174A-7	158
IP55 (UL Type 12) drive type -240A-5	159
IP55 (UL Type 12) drive types -363A-3 and -361A-5	160
IP55 (UL Type 12) drive type -210A-7	161
IP55 (UL Type 12) types -0430A-3, -0414A-5 and -0271A-7	161
Altitude derating	161
Deratings for special settings in the drive control program	162
Ex motor, sine filter, low noise	163
High speed mode	170
Fuses (IEC)	173
aR fuses (frames R1 to R9)	173
gG fuses (frames R1 to R9)	177
Quick guide for selecting between gG and aR fuses	180
Calculating the short-circuit current of the installation	183
Fuses (UL)	184
Dimensions, weights and free space requirements	187
Free space requirements	188
Losses, cooling data and noise	189
Cooling air flow and heat dissipation for flange mounting (option +C135)	191
Terminal and lead-through data for the power cables	194
IEC	194
US	195
UL listed cable lugs and tools	196
Terminal data for the control cables	196
Electrical power network specification	197
Motor connection data	197



Control unit (ZCU-12) connection data .....	198
Efficiency .....	202
Protection classes .....	202
Ambient conditions .....	202
Materials .....	203
CE marking .....	205
Compliance with the European Low Voltage Directive .....	205
Compliance with the European EMC Directive .....	205
Applicable standards .....	205
Compliance with the European RoHS Directive .....	206
Compliance with the European Machinery Directive .....	206
Declaration of Conformity .....	207
Compliance with the EN 61800-3:2004 .....	209
Definitions .....	209
Category C2 .....	209
Category C3 .....	210
Category C4 .....	210
UL marking .....	211
UL checklist .....	211
CSA marking .....	211
China RoHS marking .....	211
RCM marking .....	212
WEEE marking .....	212
EAC marking .....	212
Approvals .....	212
Cybersecurity disclaimer .....	212
Disclaimer .....	213



## **12. Dimension drawings**

What this chapter contains .....	215
Frame R1 (IP21, UL Type 1) .....	216
Frame R1 (IP55, UL Type 12) .....	217
Frame R2 (IP21, UL Type 1) .....	218
Frame R2 (IP55, UL Type 12) .....	219
Frame R3 (IP21, UL Type 1) .....	220
Frame R3 (IP55, UL Type 12) .....	221
Frame R4 (IP21, UL Type 1) .....	222
Frame R4 (IP55, UL Type 12) .....	223
Frame R5 (IP21, UL Type 1) .....	224
Frame R5 (IP55, UL Type 12) .....	225
Frame R6 (IP21, UL Type 1) .....	226
Frame R6 (IP55, UL Type 12) .....	227
Frame R7 (IP21, UL Type 1) .....	228
Frame R7 (IP55, UL Type 12) .....	229
Frame R8 (IP21, UL Type 1) .....	230
Frame R8 (IP55, UL Type 12) .....	231
Frame R9 (IP21, UL Type 1) .....	232
Frame R9 (IP55, UL Type 12) .....	233

### 13. Safe Torque off function

Contents of this chapter	235
Description	235
Compliance with the European Machinery Directive	236
Wiring	236
Activation switch	237
Cable types and lengths	237
Grounding of protective shields	237
Single drive (internal power supply)	237
Dual-channel connection	238
Single-channel connection	239
Multiple drives (internal power supply)	240
Multiple drives (external power supply)	241
Operation principle	242
Start-up including acceptance test	242
Competence	242
Acceptance test reports	242
Acceptance test procedure	242
Use	244
Maintenance	245
Competence	246
Fault tracing	246
Safety data (SIL, PL)	246
Abbreviations	248



### 14. Resistor braking

What this chapter contains	249
Operation principle and hardware description	249
Planning the braking system	249
Selecting the brake circuit components	249
Selecting a custom resistor	250
Selecting and routing the brake resistor cables	250
Minimizing electromagnetic interference	251
Maximum cable length	251
EMC compliance of the complete installation	251
Placing the brake resistors	251
Protecting the system against thermal overload	252
Frames R1 to R4	252
Frames R5 to R9	252
Protecting the resistor cable against short-circuits	253
Mechanical installation	253
Electrical installation	253
Checking the insulation of the assembly	253
Connection diagram	253
Connection procedure	253
Start-up	253
Technical data	255
Ratings	255
Degree of protection and thermal constant of the resistors	257

Terminals and cable lead-through data .....	257
Dimensions and weights of external resistors .....	257
JBR-03 .....	258
SACE08RE44 .....	259
SACE15RE13 and SACE15RE22 .....	260
SAFUR80F500 and SAFUR90F575 .....	260
SAFUR125F500 and SAFUR200F500 .....	261

## **15. Common mode, du/dt and sine filters**

What this chapter contains .....	263
Common mode filters .....	263
When is a common mode filter needed? .....	263
du/dt filters .....	263
When is a du/dt filter needed? .....	263
du/dt filter types .....	264
Description, installation and technical data of the FOCH filters .....	264
Description, installation and technical data of the NOCH filters .....	264
Sine filters .....	265
Selecting a sine filter for a drive .....	265
Definitions .....	267
Derating .....	267
Description, installation and technical data .....	267

## **Further information**

Product and service inquiries .....	269
Product training .....	269
Providing feedback on ABB Drives manuals .....	269
Document library on the Internet .....	269



## 1

# Safety instructions

---

## What this chapter contains

This chapter contains the safety instructions which you must obey when installing, operating and servicing the drive. If ignored, physical injury or death may follow, or damage may occur to the drive, motor or driven equipment. Read the safety instructions before you work on the unit.



## Use of warnings

Warnings caution you about conditions which can result in serious injury or death and/or damage to the equipment and advise on how to avoid the danger. The following warning symbols are used in this manual:



**Electricity warning** warns of hazards from electricity which can cause physical injury and/or damage to the equipment.



**General warning** warns about conditions, other than those caused by electricity, which can result in physical injury and/or damage to the equipment.



**Electrostatic sensitive devices warning** warns of electrostatic discharge which can damage the equipment.

---

## Safety in installation and maintenance

### ■ Electrical safety

These warnings are intended for all who work on the drive, motor cable or motor.


---



**WARNING!** Ignoring the following instructions can cause physical injury or death, or damage to the equipment:

- Only qualified electricians are allowed to install and maintain the drive.
- Never work on the drive, motor cable or motor when main power is applied. After disconnecting the input power, always wait for 5 minutes to let the intermediate circuit capacitors discharge before you start working on the drive, motor or motor cable.

Always ensure by measuring with a multimeter (impedance at least 1 Mohm) that:

- voltage between drive input phases L1, L2 and L3 and the frame is close to 0 V
  - voltage between terminals UDC+ and UDC- and the frame is close to 0 V.
- 
- Do not work on the control cables when power is applied to the drive or to the external control circuits. Externally supplied control circuits may cause dangerous voltages inside the drive even when the main power on the drive is switched off.
  - Do not make any insulation or voltage withstand tests on the drive.
  - Do not connect the drive to a voltage higher than what is marked on the type designation label. Higher voltage can activate the brake chopper and lead to brake resistor overload, or activate the overvoltage controller what can lead to motor rushing to maximum speed.

#### Note:

- The motor cable terminals on the drive are at a dangerously high voltage when the input power is on, regardless of whether the motor is running or not.
  - The DC terminals (UDC+, UDC-) carry a dangerous DC voltage (over 500 V) when internally connected to the intermediate DC circuit.
  - Depending on the external wiring, dangerous voltages (115 V, 220 V or 230 V) may be present on the terminals of relay outputs (XRO1, XRO2 and XRO3).
  - The Safe torque off function does not remove the voltage from the main and auxiliary circuits. The function is ineffective against deliberate sabotage or misuse.
- 
-

## Grounding

These instructions are intended for all who are responsible for the grounding of the drive.



**WARNING!** Ignoring the following instructions can cause physical injury, death, increased electromagnetic interference and equipment malfunction:

- Ground the drive, motor and adjoining equipment to ensure personnel safety in all circumstances, and to reduce electromagnetic emission and interference.
- Make sure that grounding conductors are adequately sized as required by safety regulations.
- In a multiple-drive installation, connect each drive separately to protective earth (PE).
- Where EMC emissions must be minimized, make a 360° high frequency grounding of cable entries in order to suppress electromagnetic disturbances. In addition, connect the cable shields to protective earth (PE) in order to meet safety regulations.
- Do not install a drive with EMC filter options +E200 or +E202 on an ungrounded power system or a high-resistance-grounded (over 30 ohms) power system. See page 93.
- Do not install 690 V drives on corner-grounded TN systems or corner-grounded IT systems.



### Note:

- Power cable shields are suitable for equipment grounding conductors only when adequately sized to meet safety regulations.
- Standard EN 61800-5-1 (section 4.3.5.5.2.) requires that as the normal touch current of the drive is higher than 3.5 mA AC or 10 mA DC, you must use a fixed protective earth connection and
  - a cross-section of the protective earthing conductor of at least 10 mm<sup>2</sup> Cu or 16 mm<sup>2</sup> Al,
 or
  - automatic disconnection of the supply in case of discontinuity of the protective earthing conductor,
 or
  - a second protective earthing conductor of the same cross-sectional area as the original protective earthing conductor.

## Permanent magnet motor drives

These are additional warnings concerning permanent magnet motor drives.

---



**WARNING!** Ignoring the instructions can cause physical injury or death, or damage to the equipment:

- Do not work on the drive when the permanent magnet motor is rotating. Also, when the supply power is switched off and the inverter is stopped, a rotating permanent magnet motor feeds power to the intermediate circuit of the drive and the supply connections become live.

Before installation and maintenance work on the drive:

- Stop the motor.
  - Ensure that there is no voltage on the drive power terminals according to step 1 or 2, or if possible, according to the both steps.
    1. Disconnect the motor from the drive with a safety switch or by other means. Check by measuring that there is no voltage present on the drive input or output terminals (L1, L2, L3, T1/U, T2/V, T3/W, UDC+, UDC-).
    2. Ensure that the motor cannot rotate during work. Make sure that no other system, like hydraulic crawling drives, is able to rotate the motor directly or through any mechanical connection like felt, nip, rope, etc. Check by measuring that there is no voltage present on the drive input or output terminals (L1, L2, L3, T1/U, T2/V, T3/W, UDC+, UDC-). Ground the drive output terminals temporarily by connecting them together as well as to the PE.
- 





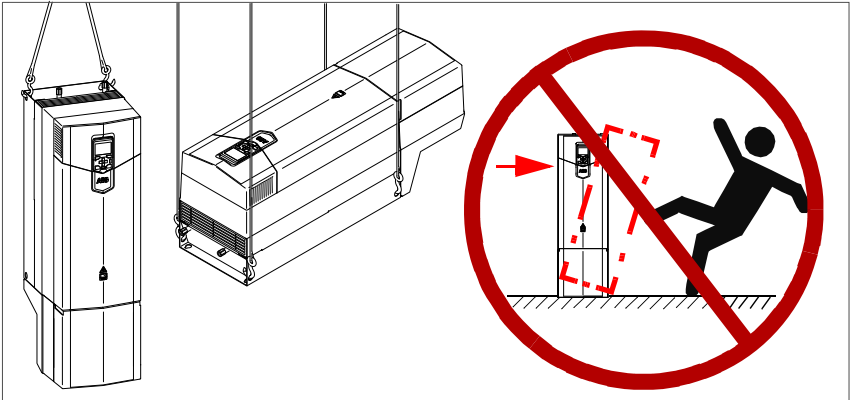
## General safety

These instructions are intended for all who install and service the drive.



**WARNING!** Ignoring the following instructions can cause physical injury or death, or damage to the equipment:

- Use safety shoes with a metal toe cap to avoid foot injury. Wear protective gloves and long sleeves. Some parts have sharp edges.
- Handle the unit carefully.
- For frame sizes R6 to R9: Lift the drive using the lifting eyes of the unit. Do not tilt the drive. **The drive is heavy and its center of gravity is high. An overturning unit can cause physical injury.**



- Beware of hot surfaces. Some parts, such as heatsinks of power semiconductors, remain hot for a while after disconnection of the electrical supply.
- Ensure that debris from borings and grindings does not enter the drive when installing. Electrically conductive debris inside the unit may cause damage or malfunction.
- Ensure sufficient cooling.
- Do not attach the drive by riveting or welding.



## ■ Printed circuit boards

---



**WARNING!** Ignoring the following instructions can cause damage to the printed circuit boards:

- Wear a grounding wrist band when handling the boards. Do not touch the boards unnecessarily. The printed circuit boards contain components sensitive to electrostatic discharge.
- 

## Safe start-up and operation

### ■ General safety

These warnings are intended for all who plan the operation of the drive or operate the drive.

---



**WARNING!** Ignoring the following instructions can cause physical injury or death, or damage to the equipment:

- Before you connect voltage to the drive, make sure that the drive covers are on. Keep the covers on during the operation.
- Before adjusting the drive and putting it into service, make sure that the motor and all driven equipment are suitable for operation throughout the speed range provided by the drive. The drive can be adjusted to operate the motor at speeds above and below the speed provided by connecting the motor directly to the power line.
- Before you activate the automatic fault reset or automatic restart functions of the drive control program, make sure that no dangerous situations can occur. These functions reset the drive automatically and continue operation after a fault or supply break. If these functions are activated, the installation must be clearly marked as defined in IEC/EN 61800-5-1, subclause 6.5.3, for example, "THIS MACHINE STARTS AUTOMATICALLY".
- The maximum number of drive power-ups is five in ten minutes. Too frequent power-ups can damage the charging circuit of the DC capacitors.
- Make sure that any safety circuits (for example, emergency stop and Safe torque off) are validated in start-up. See chapter [Start-up](#) for reference of the validation instructions.

#### Note:

- If you select an external source for start command and it is ON, the drive will start immediately after an input voltage break or fault reset unless the drive is configured for 3-wire (a pulse) start/stop.
-

- When the control location is not set to local, the stop key on the control panel will not stop the drive.
- 

### Permanent magnet motor drives

---



**WARNING!** Do not run the motor over the rated speed. Motor overspeed leads to overvoltage which may damage or explode the capacitors in the intermediate circuit of the drive.

---







# Introduction to the manual

---

## What this chapter contains

This chapter describes the manual. It contains a flowchart of steps for checking the delivery, installing and starting up the drive. The flowchart refers to chapters/sections in this manual and to other manuals.

## Target audience

This manual is intended for people who plan the installation, install, start-up, use and service the drive. Read the manual before working on the drive. You are expected to know the fundamentals of electricity, wiring, electrical components and electrical schematic symbols.

The manual is written for readers worldwide. Both SI and imperial units are shown.

## Contents of the manual

This manual contains the instructions and information for the basic drive configuration. The chapters of the manual are briefly described below.

*Safety instructions* gives safety instructions for the installation, start up, operation and maintenance of the drive.

*Introduction to the manual* introduces the manual.

*Operation principle and hardware description* describes the drive.

*Mechanical installation* describes how to install the basic drive mechanically.

*Planning the electrical installation* contains instructions for the motor and cable selection, protections and cable routing.

---

*Electrical installation* gives instructions on wiring the drive.

*Installation checklist* contains a list for checking the mechanical and electrical installation of the drive.

*Start-up* describes the start-up procedure of the drive.

*Fault tracing* describes the fault tracing of the drive.

*Maintenance* contains preventive maintenance instructions.

*Technical data* contains the technical specifications of the drive, eg, the ratings, sizes and technical requirements, provisions for fulfilling the requirements for CE and other markings.

*Dimension drawings* contains dimension drawings of the drives and auxiliary components.

*Safe Torque off function* describes the Safe torque off function of the drive and gives instructions on its implementing.

*Resistor braking* describes selection, protection and wiring of brake choppers and resistors. The chapter also contains technical data.

*Common mode, du/dt and sine filters* describes selection external filters for the drive.

## **Related manuals**

See *List of related manuals* on the inside of the front cover.

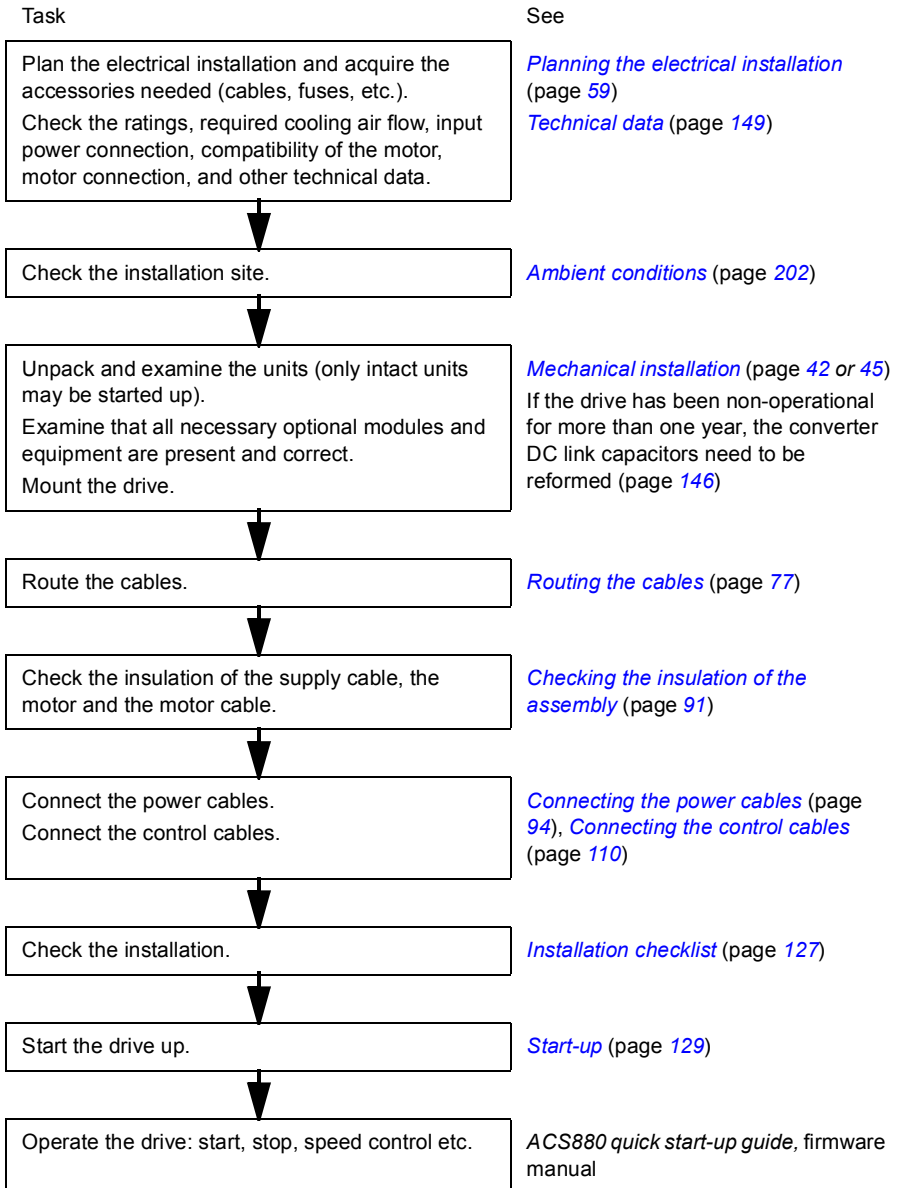
## **Categorization by frame size and option code**

The instructions, technical data and dimension drawings which concern only certain drive frame sizes are marked with the symbol of the frame size (R1, R2, etc.). The frame size is marked on the type designation label.

The instructions and technical data which concern only certain optional selections are marked with option codes (such as +E200). The options included in the drive can be identified from the option codes visible on the type designation label. The option selections are listed in section *Type designation key* on page 35.

---

## Quick installation, start-up and operating flowchart



## Terms and abbreviations

Term/ Abbreviation	Explanation
EMC	Electromagnetic compatibility
EMI	Electromagnetic interference
EMT	Electrical metallic tubing
FAIO-01	Optional analog I/O extension module
FDIO-01	Optional digital I/O extension module
FIO-01	Optional digital I/O extension module
FIO-11	Optional analog I/O extension module
FCAN-01	Optional FCAN-01 CANopen adapter module
FCNA-01	Optional ControlNet™ adapter module
FDNA-01	Optional DeviceNet™ adapter module
FECA-01	Optional EtherCAT adapter module
FEPL-01	Optional Ethernet POWERLINK adapter module
FENA-01	Optional Ethernet/IP™ and Modbus/TCP and PROFINET adapter module
FENA-11	Optional dual port Ethernet/IP™ and Modbus/TCP and PROFINET adapter module
FLON-01	Optional LonWorks® adapter module
FPBA-01	Optional PROFIBUS DP adapter module
FEN-01	Optional TTL incremental encoder interface module
FEN-11	Optional TTL absolute encoder interface module
FEN-21	Optional resolver interface module
FEN-31	Optional HTL incremental encoder interface module
FDCO-01	Optional optical DDCS communication adapter module
FPTC-01	Optional thermistor protection module for ACS880 drives
FPTC-02	Optional ATEX-certified thermistor protection module for ACS880 drives
FSE-31	Optional pulse encoder interface module
FSO-12	Optional functional safety module
FSO-21	Optional functional safety module
Frame (size)	Physical size of the drive
IGBT	Insulated gate bipolar transistor; a voltage-controlled semiconductor type widely used in inverters due to their easy controllability and high switching frequency.
I/O	Input/Output
ZCON	Control board in which the control program runs.
ZCU	Control board built in a housing. The external I/O control signals are connected to the control unit, or optional I/O extensions mounted on it.
ZGAB	Brake chopper adapter board in frames R8 to R9



<b>Term/ Abbreviation</b>	<b>Explanation</b>
ZGAD	Gate driver adapter board in frames R6 to R9
ZINT	Main circuit board
ZMU	The memory unit attached to the control unit of the drive
R1...R9	Frame size designation of the drive

---





# 3

## Operation principle and hardware description

---

### What this chapter contains

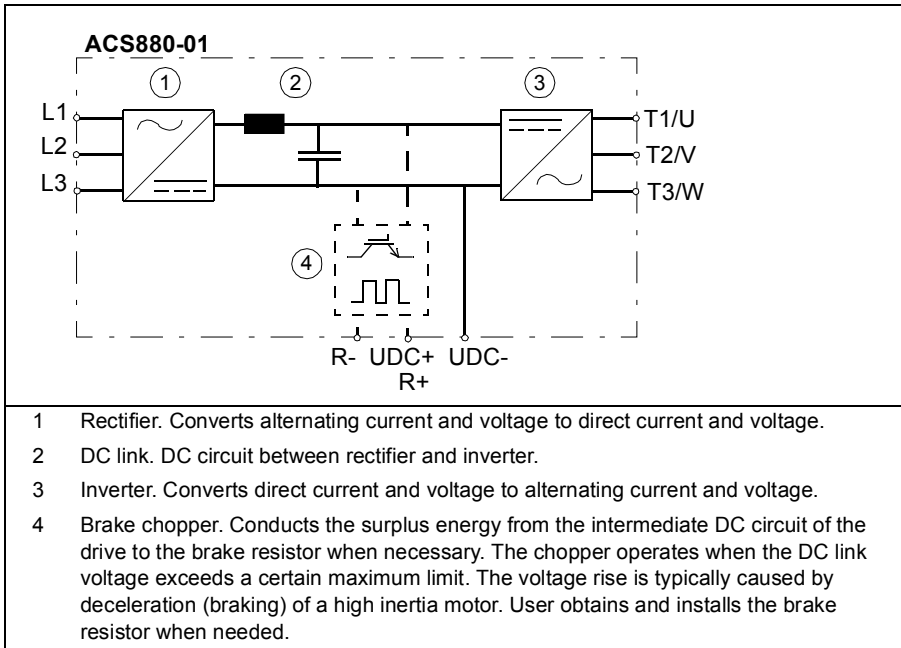
This chapter briefly describes the operation principle and construction of the drive.

### Product overview

The ACS880-01 is a drive for controlling asynchronous AC induction motors, permanent magnet synchronous motors, AC induction servomotors and ABB synchronous reluctance motors (SynRM motors). The main cooling air fan of the drive is speed controlled and the auxiliary cooling fan on/off controlled.

■ Main circuit

The main circuit of the drive is shown below.



- 1 Rectifier. Converts alternating current and voltage to direct current and voltage.
- 2 DC link. DC circuit between rectifier and inverter.
- 3 Inverter. Converts direct current and voltage to alternating current and voltage.
- 4 Brake chopper. Conducts the surplus energy from the intermediate DC circuit of the drive to the brake resistor when necessary. The chopper operates when the DC link voltage exceeds a certain maximum limit. The voltage rise is typically caused by deceleration (braking) of a high inertia motor. User obtains and installs the brake resistor when needed.

## ■ Layout (IP21, UL Type 1)

The components of the standard IP21 drive are shown below (view of frame R5).



### ■ Layout (IP55, option +B056)

The components of the IP55 drive (option +B056) are shown below (view of frame R4).



■ **Layout (UL Type 12, option +B056)**

The components of the UL Type 12 drive (option +B056) are shown below (view of frame R6).

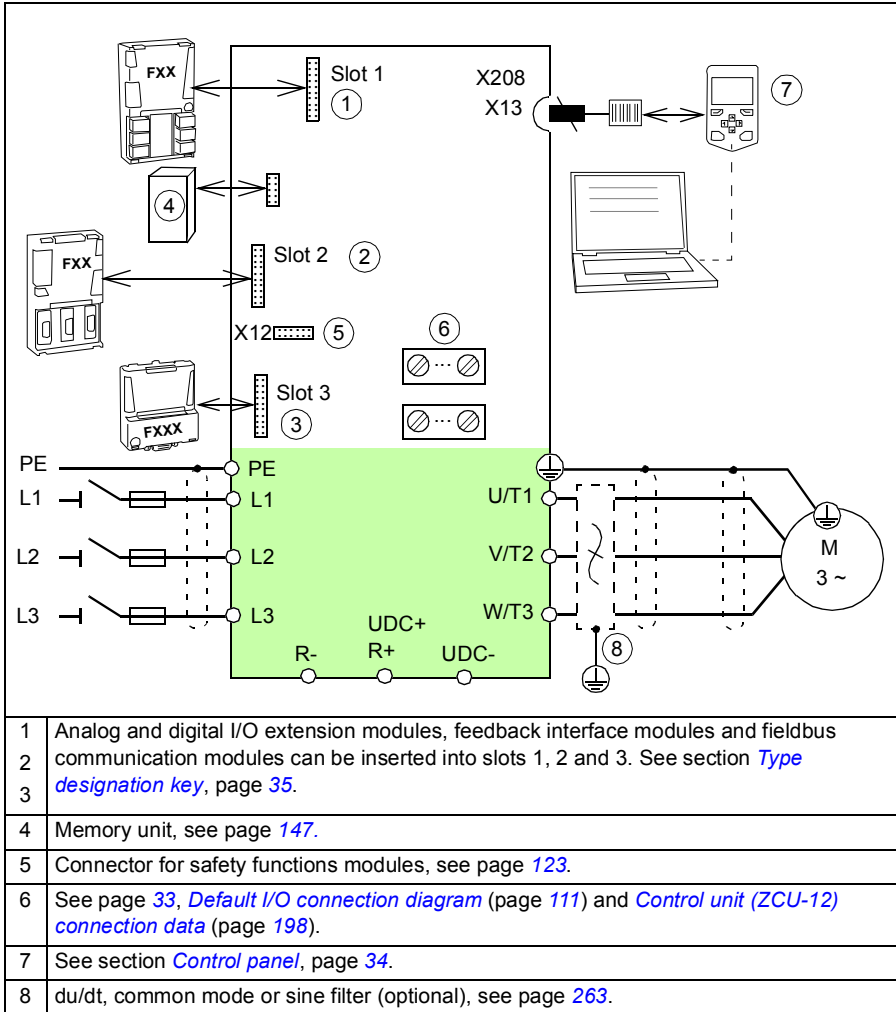


■ **Layout (IP20 – UL Open Type, options +P940 and +P944)**

See ACS880-01 +P940/+P944 drives for cabinet installation supplement (3AUA0000145446 [English]).

## Overview of power and control connections

The diagram shows the power connections and control interfaces of the drive.





## External control connection terminals

The layout of external control connection terminals of the drive is shown below.

	Description
XPOW	External power input
XAI	Analog inputs
XAO	Analog outputs
XD2D	Drive-to-drive link
XRO1	Relay output 1
XRO2	Relay output 2
XRO3	Relay output 3
XD24	Start interlock connection (DIIL) and +24 V output
XDIO	Digital input/outputs
XDI	Digital inputs
XSTO	Safe torque off connection
X12	Connector for safety functions modules (optional)
X13	Control panel connection
X202	Option slot 1
X203	Option slot 2
X204	Option slot 3
X205	Memory unit connection
X208	Auxiliary cooling fan connection
J1, J2	Voltage/Current selection jumpers (J1, J2) for analog inputs
J3, J6	Drive-to-drive link termination jumper (J3), common digital input ground selection jumper (J6)

## ■ Control panel

The control panel can be removed by pulling it forward from the top edge and reinstalled in reverse order. For the use of the control panel, see the firmware manual or *ACS-AP assistant control panels user's manual* (3AUA0000085685 [English]).



### Control panel mounting platform cover

In deliveries without control panel (option + 0J400) the control panel mounting platform is covered. The indication LEDs on the platform are visible through the protective cover. **Note:** The cover is not included with options +0J400+P940 and +0J400+P944.



### Control panel door mounting kits

Door mounting kits for the control panel are available. For more information see *DPMP-01 mounting platform installation guide* (3AUA0000100140 [English]) or *DPMP-02/03 mounting platform installation guide* (3AUA0000136205 [English]).

## Type designation label

The type designation label includes an IEC and NEMA rating, appropriate markings, a type designation and a serial number, which allow identification of each unit. The type designation label is located on the front cover. An example label is shown below.

**ABB** ① ACS880-01-09A8-7+B056+E200+K475+P909  
 ASSEMBLED IN FINLAND ⑥  
 ABB Oy ② Input U1 3~ 525/600/690 VAC  
 Hiomotie 13 I1 11/11/9.8 A  
 00380 Helsinki f1 50/60 Hz  
 Finland Output U2 3~ 0...U1  
 I2 11/11/9.8 A  
 f2 0...500 Hz  
 Sn 11.7 kVA  
 FRAME ③  
 R5  
 Air cooling ④  
 IP55 ⑤ Icc 65 kA ⑦  
 UL type 12  
 UL/CSA: max. 600 VAC  
 ⑧ CE, UL, TÜV, Safety Approved, ENEC  
 ⑨ S/N: 1170305994

No.	Description
1	Type designation, see section <a href="#">Type designation key</a> on page 35.
2	Manufacturing address
3	Frame size
4	Cooling method
5	Degree of protection
6	Ratings in the supply voltage range, see section <a href="#">Ratings</a> on page 150.
7	Short-circuit withstand strength, see section <a href="#">Electrical power network specification</a> on page 197.
8	Valid markings
9	Serial number. The first digit of the serial number refers to the manufacturing plant. The next four digits refer to the unit's manufacturing year and week, respectively. The remaining digits complete the serial number so that there are no two units with the same number.

## Type designation key

The type designation contains information on the specifications and configuration of the drive. The first digits from left express the basic configuration, eg, ACS880-01-12A6-3 The optional selections are given thereafter, separated by plus signs, eg, +L519. The main selections are described below. Not all selections are available for all types. For more information, refer to *ACS880-01 Ordering Information* (3AXD10000014923), available on request.

CODE	DESCRIPTION
<b>Basic codes</b>	
ACS880	Product series
01	When no options are selected: Wall mounted drive, IP21 (UL Type 1), ACS-AP-I assistant control panel, no EMC filter, DC choke, ACS880 primary control program, Safe torque off function, cable entry box, brake chopper in frames R1 to R4, coated boards, printed multilingual quick guides and CD containing all manuals.

CODE	DESCRIPTION
<b>Size</b>	
xxxx	Refer to the rating tables, page <a href="#">150</a>
<b>Voltage range</b>	
2	208...240 V
3	380...415 V
5	380...500 V
7	525...690 V
<b>Option codes (plus codes)</b>	
<b>Degree of protection</b>	
B056	IP55 (UL Type 12)
<b>Construction</b>	
C205	Marine product certification for DNV-GL. Requires option +C132.
C206	Marine product certification for ABS. Requires option +C132.
C207	Marine product certification for Lloyd's register. Requires option +C132.
C208	Marine product certification for RINA. Requires option +C132.
C209	Marine product certification for BV. Requires option +C132.
C210	Marine product certification for NK. Requires option +C132.
C131	Vibration dampers for frames R4 to R9
C132	Marine type-approved drive. Requires option +C131 in wall installations for frames R4 to R9. Includes common mode filter for frames R6 to R9.
C135	Drive for flange mounting. Removes the cable entry box.
C228	Marine product certification for CCS. Requires option +C132.
<b>Resistor braking</b>	
D150	Brake chopper for frame R5 and up
<b>Filters</b>	
E200	EMC filter for second environment TN (grounded) system, category C3.
E201	EMC filter for second environment IT (ungrounded) system, category C3. Available for 380...500 V frames R6 to R9.
E202	EMC filter for first environment TN (grounded) system, category C2.
E208	Common mode filter
<b>Cable entry box</b>	
H358	UK cable entry box
<b>Control panel</b>	
OJ400	No control panel. Includes control panel holder cover. <b>Note:</b> You need at least one loose control panel to be able to commission the drive.
<b>Fieldbus adapters</b>	
K451	FDNA-01 DeviceNet™ adapter module
K452	FLON-01 LonWorks® adapter module

CODE	DESCRIPTION
K454	FPBA-01 PROFIBUS DP adapter module
K457	FCAN-01 CANopen adapter module
K458	FSCA-01 RS-485 adapter module
K462	FCNA-01 ControlNet™ adapter module
K469	FECA-01 EtherCAT adapter module
K470	FEPL-01 Ethernet POWERLINK adapter module
K473	FENA-11 high performance Ethernet/IP™, Modbus/TCP and PROFINET adapter module
<b>I/O extensions and feedback interfaces</b>	
L500	FIO-11 analog I/O extension module
L501	FIO-01 digital I/O extension module
L502	FEN-31 HTL incremental encoder interface module
L503	FDCO-01 optical DDCS communication adapter module
L508	FDCO-02 optical DDCS communication adapter module
L515	FEA-03 I/O extension adapter
L516	FEN-21 resolver interface module
L517	FEN-01 TTL incremental encoder interface module
L518	FEN-11 absolute encoder interface module
L521	FSE-31 pulse encoder interface module
L525	FAIO-01 analog I/O extension module
L526	FDIO-01 digital I/O extension module
L536	FPTC-01 Thermistor protection module for ACS880 drives
L537	FPTC-02 ATEX-certified thermistor protection module, EX II (2) GD for ACS880 drives
<b>Specialties</b>	
P904	Extended warranty
P940	Drive without front covers and cable entry box. Includes control panel. <b>Note:</b> With option +0J400 does not include control panel holder cover.
P944	Drive without cable entry box. Includes control panel. <b>Note:</b> With option +0J400 does not include control panel holder cover.
<b>ATEX-certified function</b>	
Q971	ATEX-certified Safe motor disconnection function using the Safe torque off function
<b>Safety functions modules</b>	
Q972	FSO-21 safety functions module
Q973	FSO-12 safety functions module
<b>Full set of printed manuals in selected language. Note:</b> The delivered manual set may include manuals in English if the translation is not available.	
R700	English
R701	German

<b>CODE</b>	<b>DESCRIPTION</b>
R702	Italian
R703	Dutch
R704	Danish
R705	Swedish
R706	Finnish
R707	French
R708	Spanish
R709	Portuguese
R711	Russian
R713	Polish
R714	Turkish

---

## 4

# Mechanical installation


---

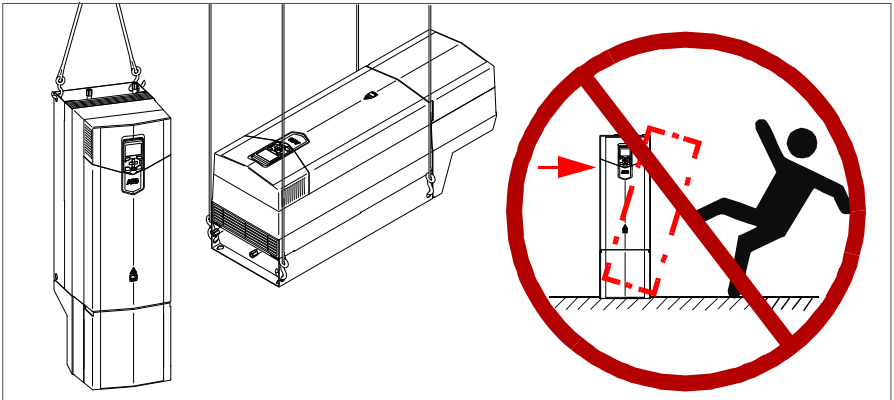
## What this chapter contains

This chapter gives a description of the mechanical installation of the drive.

## Safety

---

 **WARNING!** For frame sizes R6 to R9: Use the lifting eyes of the drive when you lift the drive. Do not tilt the drive. **The drive is heavy and its center of gravity is high. An overturning drive can cause physical injury.**

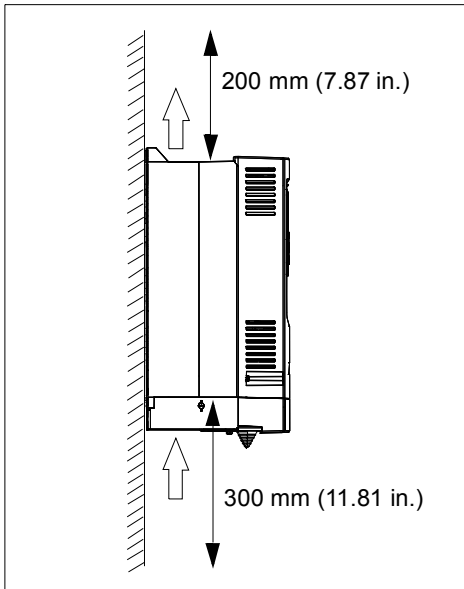


## Examining the installation site

The drive must be installed in an upright position with the cooling section against a wall. All IP21 (UL Type 1) and IP55 drives and UL Type 12 drives of frames R1 to R3 can be installed tightly side by side. For UL Type 12 drives of frames R4 to R9, leave 100 mm (4 in) between the hoods.

Make sure that the installation site agrees with these requirements:

- The installation site has sufficient ventilation to prevent overheating of the drive. See section [Losses, cooling data and noise](#) on page 189.
- The operation conditions of the drive agree with the specifications in section [Ambient conditions](#) (page 202).
- The wall is vertical, not flammable and strong enough to hold the weight of the drive. See page 187.
- The material below the installation is not flammable.
- There is enough free space above and below the drive for cooling air flow, service and maintenance. See page 187. There is enough free space in front of the drive for operation, service and maintenance.



## Necessary tools

- Drill and drill bits
- Screwdriver and/or wrench with bits. The drive cover has Torx screws.



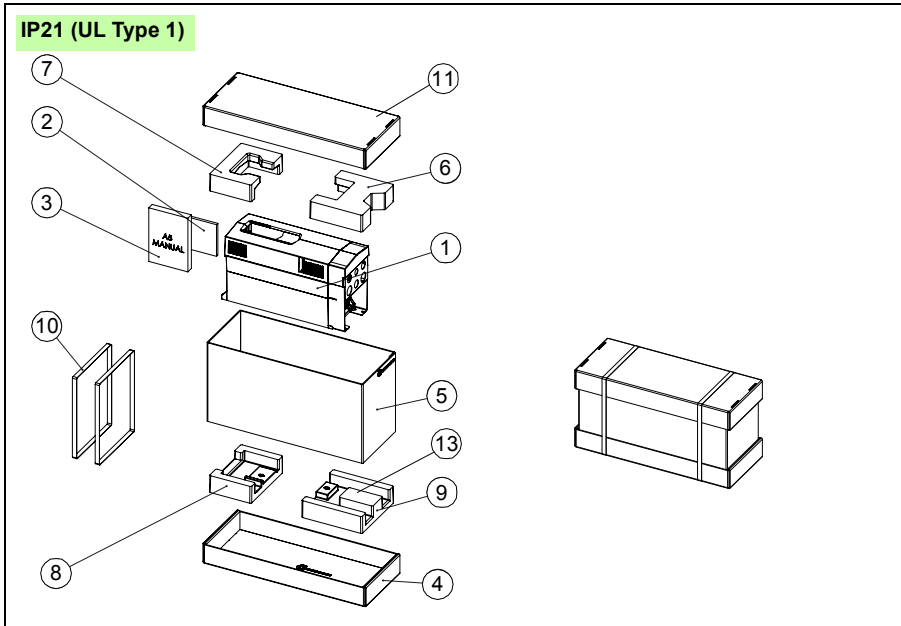
## Moving the drive

Move the transport package by pallet truck to the installation site.



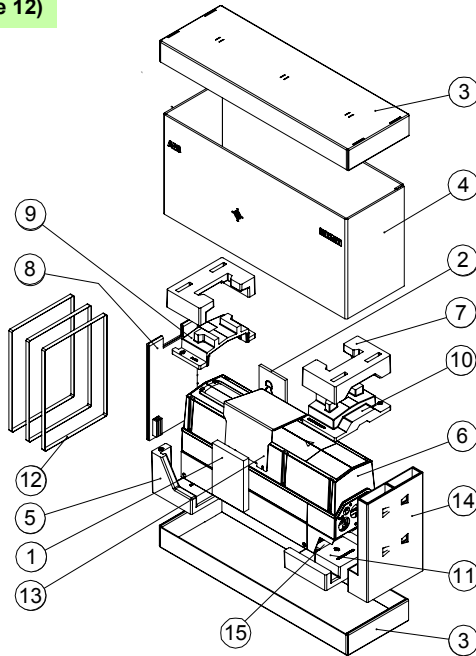
## Unpacking and examining the delivery (frames R1 to R5)

This illustration shows the layout of the transport package. Examine that all items are present and there are no signs of damage. Read the data on the type designation label of the drive to make sure that the drive is of the correct type.



Item	Description	Item	Description
1	Drive with factory installed options. Control cable grounding shelf. Romex connectors in IP21 frames R1 to R3 in a plastic bag inside the cable entry box.	6...9	Cushions
2	Manuals CD	13	Vibration damper package (option +C131) <u>Frame R4 and IP55 (UL Type 12)</u> <u>frame R5:</u> below the cable entry box <u>IP21 (UI Type 1) frame R5:</u> inside the cable entry box
3	Printed quick guides and manuals, multilingual residual voltage warning sticker	10	PET straps
4	Cardboard tray	11	Top cardboard cover
5	Cardboard sleeve	-	-

**IP55 (UL Type 12)**



3AXD5000003341

Item	Description	Item	Description
1	Printed quick guides and manuals, multilingual residual voltage warning sticker	7...11	Cushions and cardboard support
2	Manuals CD	12	PET straps
3	Cardboard tray	13	Hood included in frames R4 and R5. The hood is required only in UL Type 12 installations.
4	Cardboard sleeve	14	Support
5	Cushion	15	Vibration damper package (option +C131)
6	Drive with factory installed options. Control cable grounding shelf.	-	-

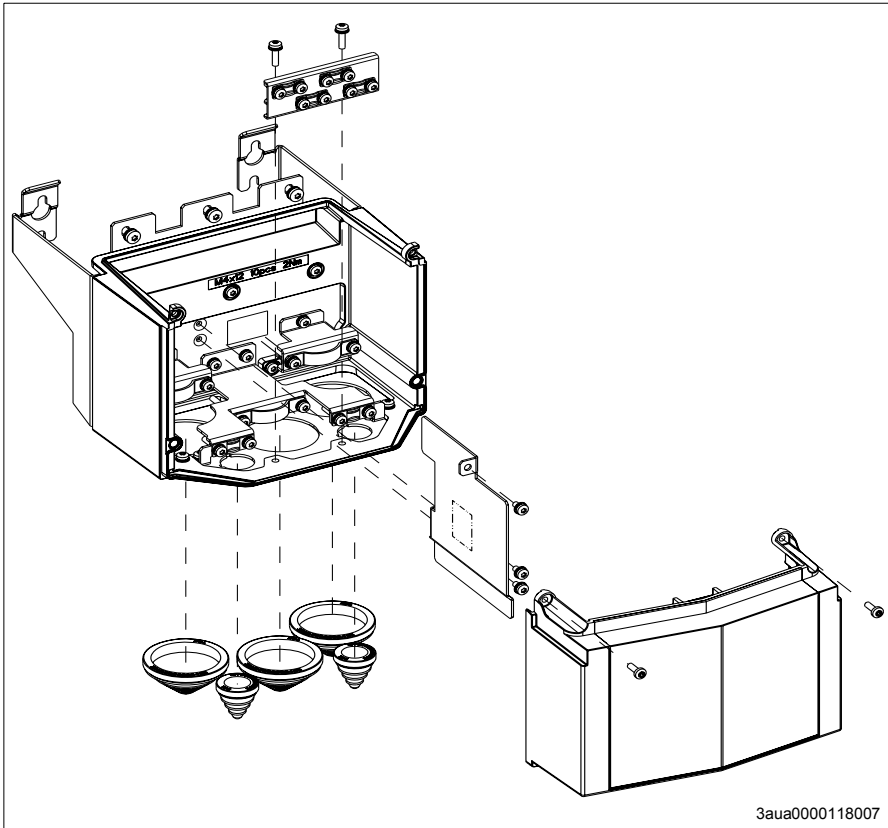


To unpack:

- Cut the straps (10).
- Remove the top cardboard cover (11) and cushions (6...9).
- Lift the cardboard sleeve (5).
- Lift the drive.

### ■ Frame R5 cable entry box (IP21, UL Type 1)

This illustration shows the contents of the cable entry box package. The package also includes an assembly drawing which shows how to install the cable entry box to the drive module frame.

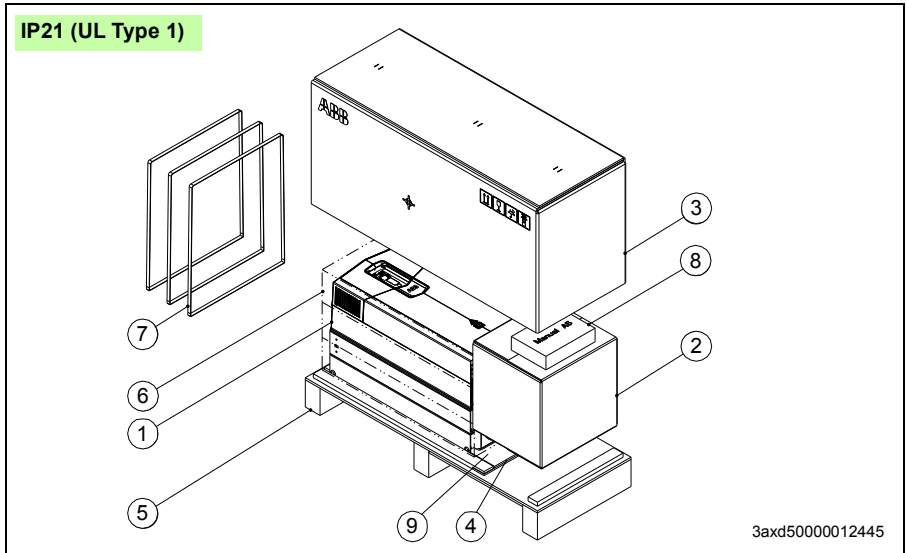


3aua0000118007

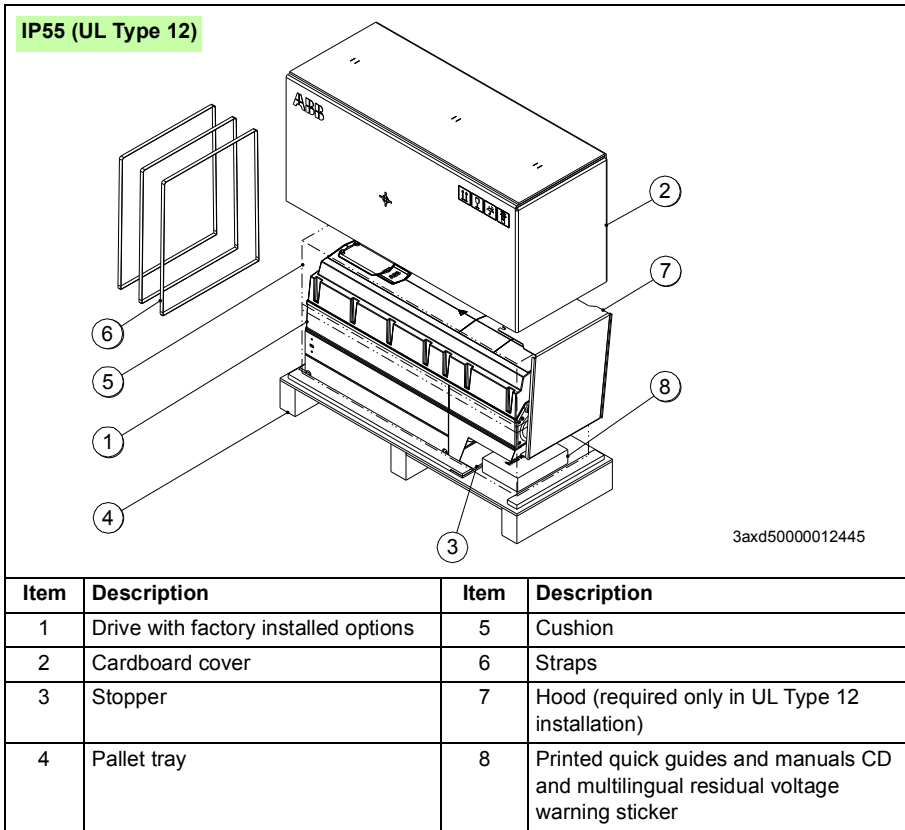
## Unpacking and examining the delivery (frames R6 to R9)

If you have option +H358, see the *ACS880-01 +H358 UK gland plate frames R6 to R9 installation guide* (3AXD50000034735).

This illustration shows the layout of the transport package. Examine that all items are present and there are no signs of damage. Read the data on the type designation label of the drive to make sure that the drive is of the correct type.



Item	Description	Item	Description
1	Drive with factory installed options	6	Cushion
2	Cable entry box. Power and control cable grounding shelves in a plastic bag, assembly drawing. <b>Note:</b> The cable entry box is mounted to the IP55 drive module frame at the factory.	7	Straps
3	Cardboard cover	8	Printed quick guides and manuals CD and multilingual residual voltage warning sticker
4	Stopper	9	Vibration damper package (option +C131). <u>For frame R6:</u> inside the cable entry box.
5	Pallet tray	-	-



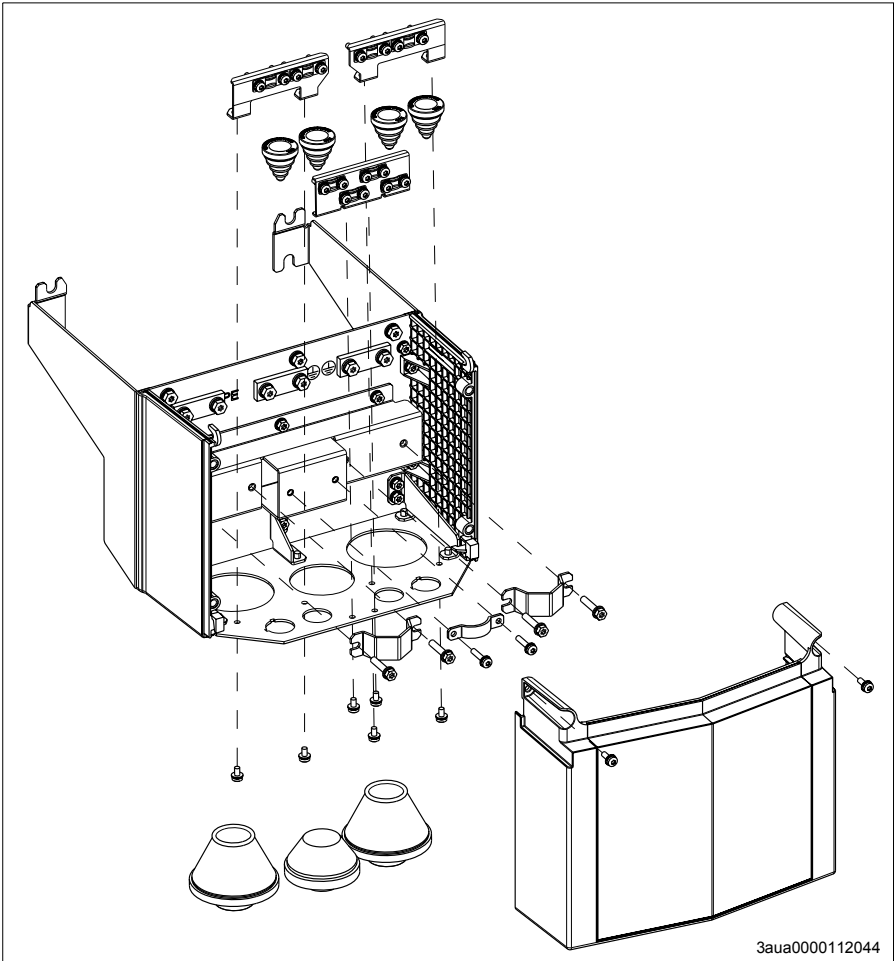
To unpack:

- Cut the straps (6).
- Remove the top cardboard cover (3) and cushion (4).
- Lift the cardboard sleeve (5).
- Attach lifting hooks to the lifting eyes of the drive. Lift the drive with a hoist.

For frames R6 to R9 with option +H358, see also the *ACS880-01 +H358 UK gland plate frames R6 to R9 installation guide* (3AXD50000034735).

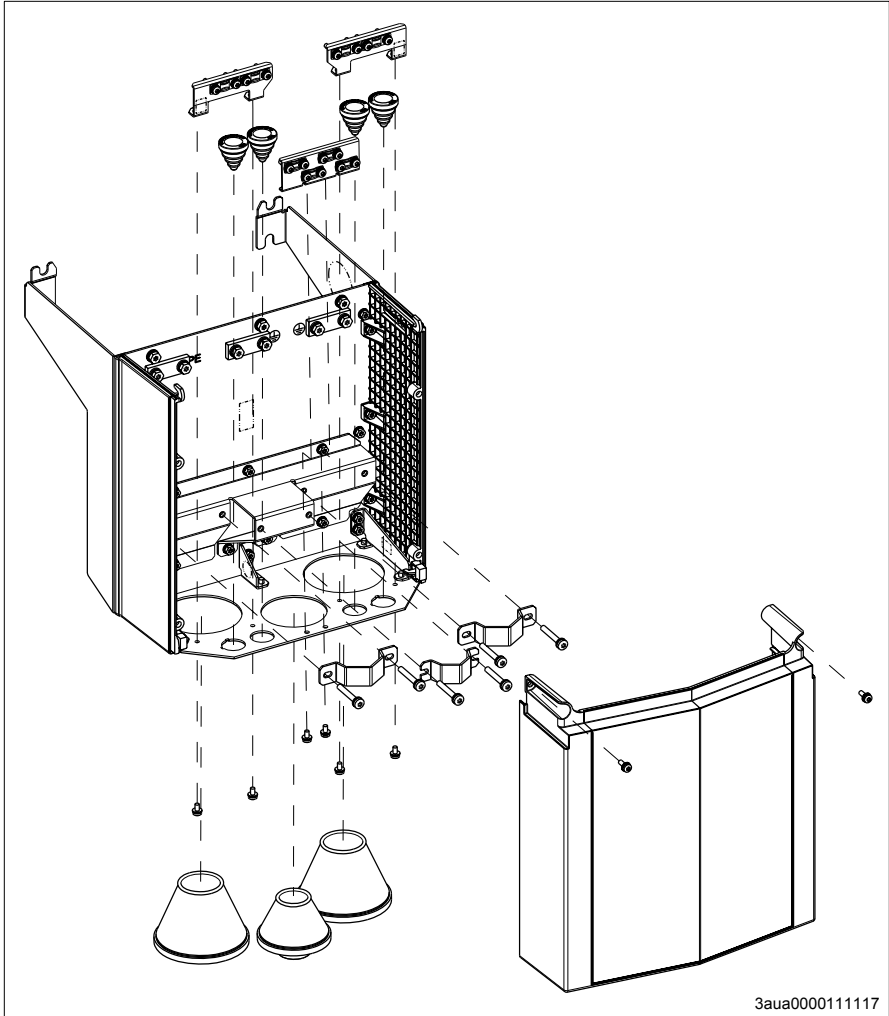
## ■ Frame R6 cable entry box (IP21, UL Type 1)

This illustration shows the contents of the cable entry box package. The package also includes an assembly drawing which shows how to install the cable entry box to the drive module frame.



■ **Frame R7 cable entry box (IP21, UL Type 1)**

This illustration shows the contents of the cable entry box package. The package also includes an assembly drawing which shows how to install the cable entry box to the drive module frame.

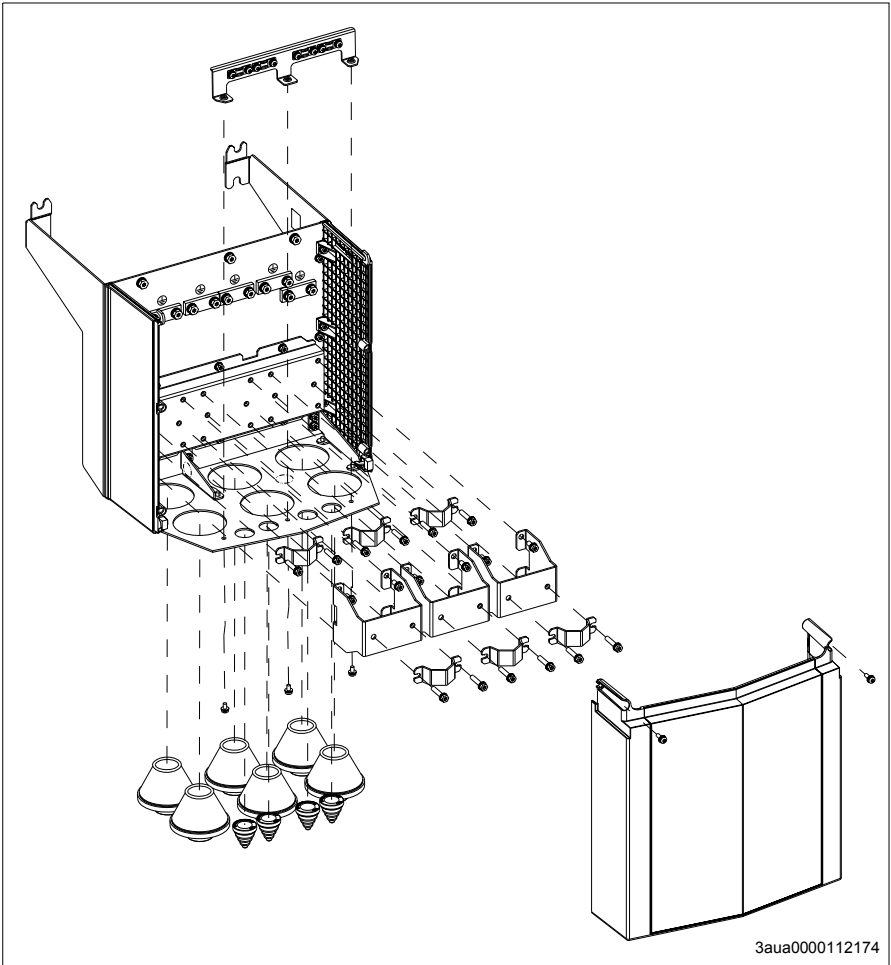


3aua0000111117



### ■ Frame R8 cable entry box (IP21, UL Type 1)

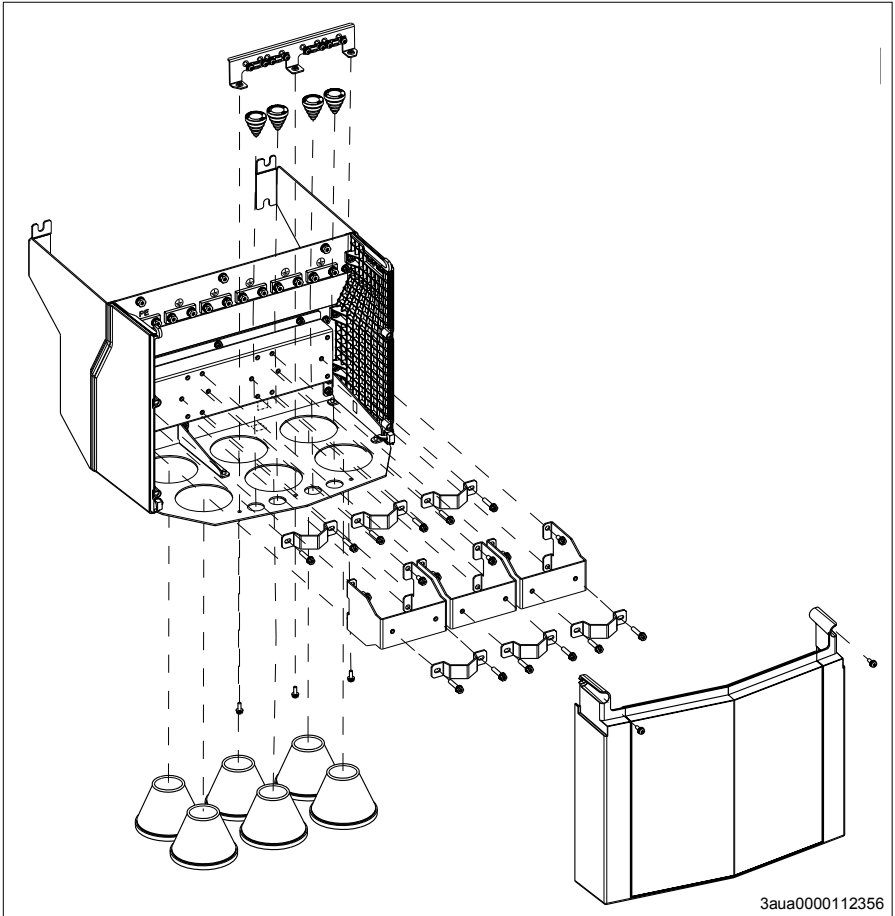
This illustration shows the contents of the cable entry box package. There is also an assembly drawing which shows how to install the cable entry box to the drive module frame.



3aua0000112174

### ■ Frame R9 cable entry box (IP21, UL Type 1)

This illustration shows the contents of the cable entry box package. The package also includes an assembly drawing which shows how to install the cable entry box to the drive module frame.



## Installing the drive

This section tells you how to install the drive on wall without vibration dampers.

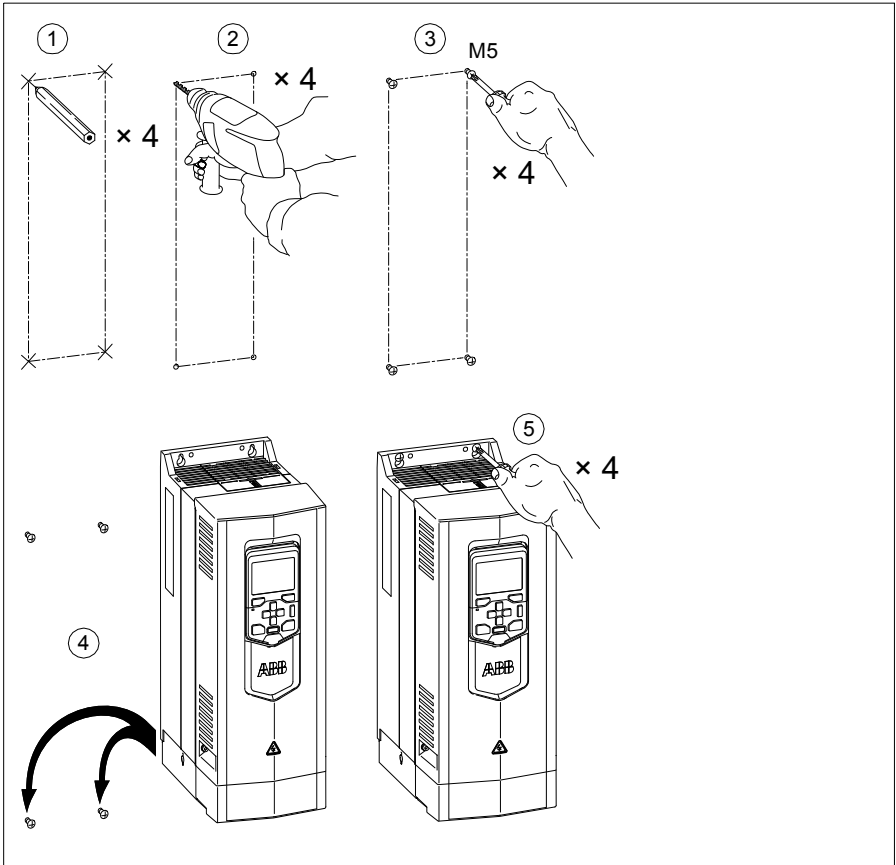
### ■ Installing vibration dampers (option +C131)

Marine type approval (option +C132) requires the installation of vibration dampers for frames R4 to R9 in wall installations. See *Vibration dampers for ACS880-01 drives (frames R4 and R5, option +C131) installation guide* (3AXD50000010497 [English]) or *Vibration dampers for ACS880-01 drives (frames R6 to R9, option +C131) installation guide* (3AXD50000010497 [English]). The guide is included in the vibration damper package and on the manuals CD.

### ■ Frames R1 to R4 (IP21, UL Type 1)

1. See the dimensions in chapter [Dimension drawings](#). Mark the locations for the four mounting holes.
2. Drill the mounting holes.
3. Insert anchors or plugs into the holes and start the screws or bolts into the anchors or plugs. Drive the screws or bolts long enough into the wall to make them carry the weight of the drive.
4. Position the drive onto the bolts on the wall.
5. Tighten the bolts in the wall securely.





## ■ Frames R5 to R9 (IP21, UL Type 1)

**Note:** For frames R6 to R9 with option +H358, see *ACS880-01 +H358 UK gland plate frames R6 to R9 installation guide* (3AXD50000034735 [English]).

1. See the dimensions in chapter [Dimension drawings](#). Mark the locations for the four or six mounting holes.  
**Note:** The lowest holes/mounting screws or bolts are not necessarily needed. If you use also them, you can replace the drive module without removing the cable entry box from the wall.
2. Drill the mounting holes.
3. Insert fixings anchors or plugs into the holes. Start the two upper bolts and the two lowest bolts into the anchors or plugs. Drive the bolts long enough into the wall to make them carry the weight of the drive.
4. Position the drive module onto the bolts on the wall.
5. Tighten the upper mounting bolts in the wall securely.
6. Remove the front cover.
7. Attach the cable entry box to the drive frame. For instructions, see the assembly drawing in the cable entry box. A view of frame R8 is shown below.
8. Tighten the lower mounting bolts in the wall securely.



**IP21 (UL Type 1) R5 ... R9**

200 mm (7.87")

300 mm (11.81")

	Screw size
R5	M5
R6	M8
R7	M8
R8	M8
R9	M8

40 °C

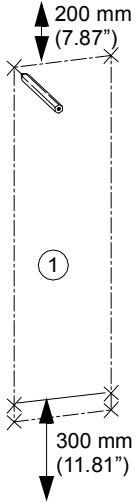
## ■ Frames R1 to R9 (IP55, UL Type 12)

**Note:** Do not open or remove the cable entry box for easier installation. The gaskets do not fulfill the degree of protection if the box is opened.

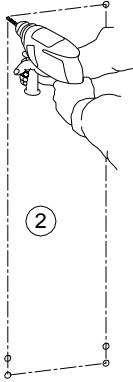
1. See the dimensions in chapter [Dimension drawings](#). Mark the locations for the four or six mounting holes. The lowest holes are not necessarily needed.
2. Drill the mounting holes.
3. Insert fixings anchors or plugs into the holes.
4. Start the upper bolts into the mounting holes. Drive the bolts long enough into the wall to make them carry the weight of the drive.
5. Position the drive onto the upper bolts on the wall. Lift the drive with another person as it is heavy.
6. For UL Type 12 drives of frames R4 to R9: Put the hood onto the upper bolts.
7. Tighten the upper bolts in the wall securely.
8. Start the lower bolts into the mounting holes.
9. Tighten the lower bolts in the wall securely.



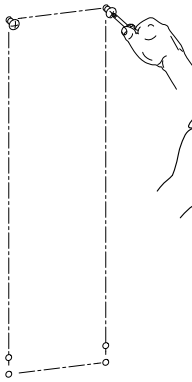
**IP55 (UL Type 12) R1...R9**



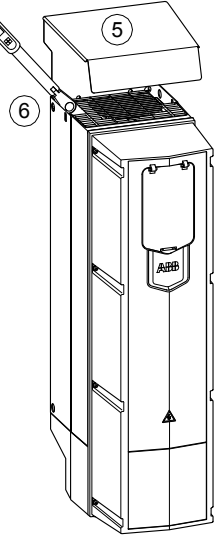
1



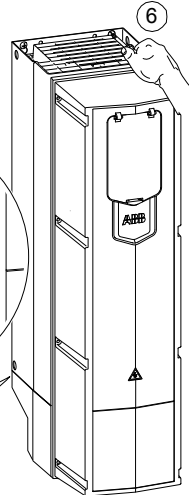
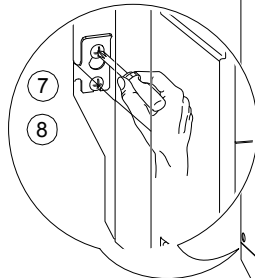
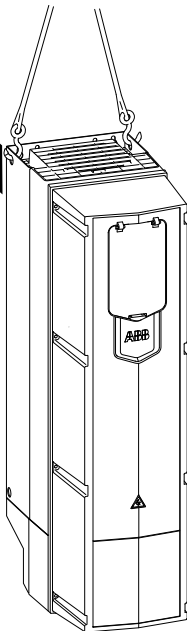
3



**UL Type 12 (R4...R9)**



	Screw size
R1...R5	M5
R6...R9	M8





## Flange mounting

See *Flange mounting kit installation supplement* (3AXD50000019100 [English]).

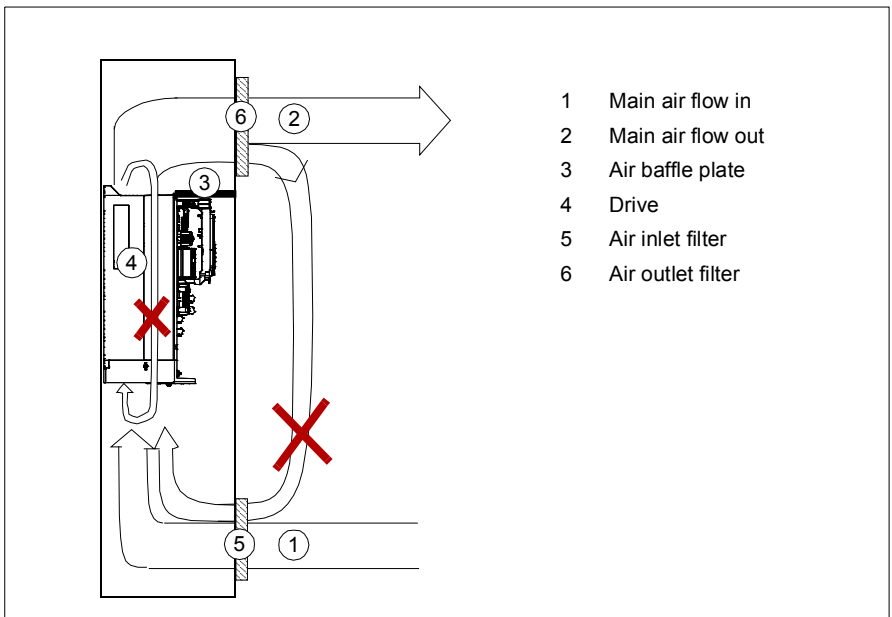
## Cabinet installation

This section gives the basic cabinet installation instructions for the drive. For more information, see *ACS880-01 +P940 drives for cabinet installation supplement* (3AUA0000145446 [English]).

## Cooling

Make sure that there is sufficient cooling:

- Make sure that the temperature of the cooling air that goes into the drive does not exceed +40 °C (+104 °F).
- Prevent cooling air recirculation inside the cabinet. You can use air baffle plates or an extra fan at the inlet or outlet of the cabinet. if you use a fan, we recommend an inlet fan with a filter. Such a fan causes an overpressure inside the cabinet which helps to keep the dust out.
- Prevent cooling air recirculation outside the cabinet. Let the outlet air away from the inlet: to the other side of the cabinet or upwards.
- Make sure that there is sufficient cooling in the room in which the cabinet is placed.



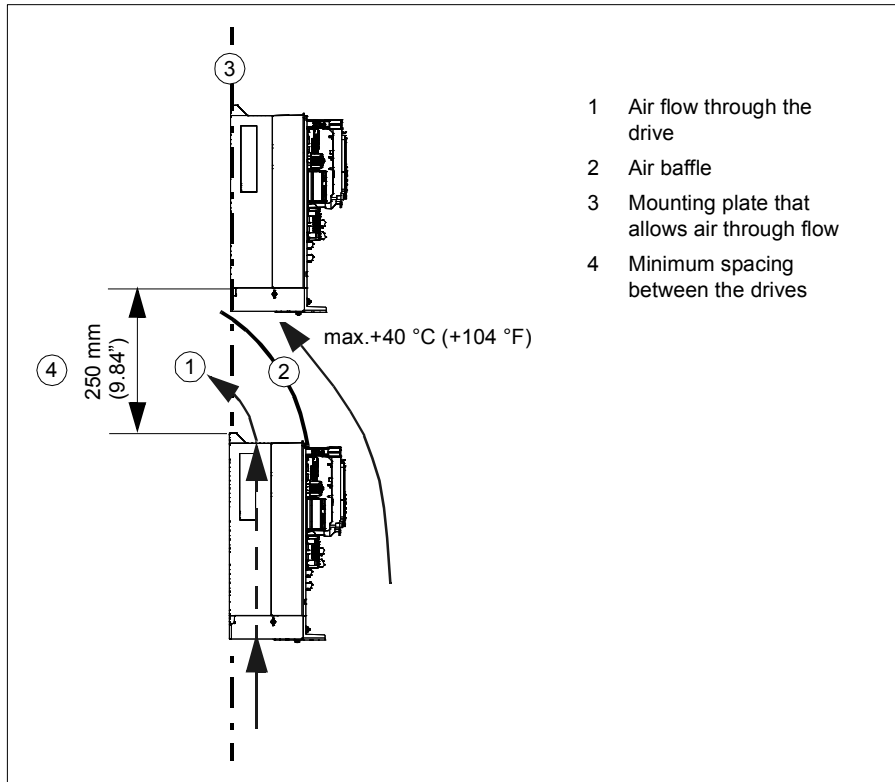
**Note:** You can remove the front cover of the drive module for better cooling.

## Grounding inside the cabinet

Leave the contact surfaces of the attaching points of the drive unpainted (bare metal-to-metal contact). The drive frame will be grounded to the PE busbar of the cabinet via the attaching surfaces, screws and the cabinet frame. Alternatively, use a separate grounding conductor between the PE terminal of the drive and the PE busbar of the cabinet.

## Installing drives above one another

Make sure that the outlet cooling air flows away from the drive above.





# Planning the electrical installation

---

## What this chapter contains

This chapter contains instructions for planning the electrical installation of the drive. Some instructions are mandatory to follow in every installation, others provide useful information that only concerns certain applications.

## Limitation of liability

The installation must always be designed and made according to applicable local laws and regulations. ABB does not assume any liability whatsoever for any installation which breaches the local laws and/or other regulations. Furthermore, if the recommendations given by ABB are not followed, the drive may experience problems that the warranty does not cover.

## Selecting the supply disconnecting device

Install a hand-operated input disconnecting device between the AC power source and the drive. The disconnecting device must be of a type that can be locked to the open position for installation and maintenance work.

---

## ■ European Union

To meet the European Union Directives, according to standard EN 60204-1, *Safety of Machinery*, the disconnecting device must be one of the following types:

- switch-disconnector of utilization category AC-23B (EN 60947-3)
- disconnector that has an auxiliary contact that in all cases causes switching devices to break the load circuit before the opening of the main contacts of the disconnector (EN 60947-3)
- circuit breaker suitable for isolation in accordance with EN 60947-2.

## ■ Other regions

The disconnecting device must conform to the applicable safety regulations.

## Selecting and dimensioning the main contactor

If a main contactor is used, its utilization category (number of operations under load) must be AC-1 according to IEC 60947-4, *Low-voltage switchgear and controlgear*. Dimension the main contactor according to the nominal voltage and current of the drive.

## Checking the compatibility of the motor and drive

Use an asynchronous AC induction motor, permanent magnet synchronous motor, AC induction servomotor or ABB synchronous reluctance motor (SynRM motor) with the drive. Several induction motors can be connected to the drive at a time.

Select the motor size and drive type from the rating tables in chapter [Technical data](#) on basis of the AC line voltage and motor load. Use the DriveSize PC tool if you need to tune the selection more in detail.

Ensure that the motor withstands the maximum peak voltage in the motor terminals. See the [Requirements table](#) on page 61. For basics of protecting the motor insulation and bearings in drive systems, refer to section [Protecting the motor insulation and bearings](#) below.

### Note:

- Consult the motor manufacturer before using a motor whose nominal voltage differs from the AC line voltage connected to the drive input.
  - The voltage peaks at the motor terminals are relative to the supply voltage of the drive, not the drive output voltage.
  - If the motor and drive are not of the same size, consider the following operation limits of the drive control program:
    - motor nominal voltage range  $1/6 \dots 2 \cdot U_N$
    - motor nominal current range  $1/6 \dots 2 \cdot I_N$  of the drive in DTC control and  $0 \dots 2 \cdot I_N$  in scalar control. The control mode is selected by a drive parameter.
-

## ■ Protecting the motor insulation and bearings

The drive employs modern IGBT inverter technology. Regardless of frequency, the drive output comprises pulses of approximately the drive DC bus voltage with a very short rise time. The pulse voltage can almost double at the motor terminals, depending on the attenuation and reflection properties of the motor cable and the terminals. This can cause additional stress on the motor and motor cable insulation.

Modern variable speed drives with their fast rising voltage pulses and high switching frequencies can generate current pulses that flow through the motor bearings. This can gradually erode the bearing races and rolling elements.

Optional du/dt filters protect motor insulation system and reduce bearing currents. Optional common mode filters mainly reduce bearing currents. Insulated N-end (non-drive end) bearings protect the motor bearings.

## ■ Requirements table

The following table shows how to select the motor insulation system and when an optional drive du/dt and common mode filters and insulated N-end (non-drive end) motor bearings are required. Ignoring the requirements or improper installation may shorten motor life or damage the motor bearings and voids the warranty.

---

Motor type	Nominal AC supply voltage	Requirement for		
		Motor insulation system	ABB du/dt and common mode filters, insulated N-end motor bearings	
			$P_N < 100$ kW and frame size < IEC 315	$100$ kW $\leq P_N < 350$ kW or IEC 315 $\leq$ frame size < IEC 400
			$P_N < 134$ hp and frame size < NEMA 500	$134$ hp $\leq P_N < 469$ hp or NEMA 500 $\leq$ frame size $\leq$ NEMA 580
<b>ABB motors</b>				
Random-wound M2_,M3_ and M4_	$U_N \leq 500$ V	Standard	-	+ N
	$500$ V $< U_N \leq 600$ V	Standard	+ du/dt	+ du/dt + N
		or		
		Reinforced	-	+ N
	$600$ V $< U_N \leq 690$ V (cable length $\leq 150$ m)	Reinforced	+ du/dt	+ du/dt + N
$600$ V $< U_N \leq 690$ V (cable length $> 150$ m)	Reinforced	-	+ N	
Form-wound HX_ and AM_	$380$ V $< U_N \leq 690$ V	Standard	n.a.	+ N + CMF
Old* form-wound HX_ and modular	$380$ V $< U_N \leq 690$ V	Check with the motor manufacturer.	+ du/dt with voltages over 500 V + N + CMF	
Random-wound HX_ and AM_**	$0$ V $< U_N \leq 500$ V	Enamelled wire with fiber glass taping	+ N + CMF	
	$500$ V $< U_N \leq 690$ V		+ du/dt + N + CMF	
HDP	Consult the motor manufacturer.			

\* manufactured before 1.1.1998

\*\* For motors manufactured before 1.1.1998, check for additional instructions with the motor manufacturer.

Motor type	Nominal AC supply voltage	Requirement for		
		Motor insulation system	ABB du/dt and common mode filters, insulated N-end motor bearings	
			$P_N < 100$ kW and frame size < IEC 315	$100 \text{ kW} \leq P_N < 350$ kW or IEC 315 $\leq$ frame size < IEC 400
		$P_N < 134$ hp and frame size < NEMA 500	$134 \text{ hp} \leq P_N < 469$ hp or NEMA 500 $\leq$ frame size $\leq$ NEMA 580	
<b>Non-ABB motors</b>				
Random-wound and form-wound	$U_N \leq 420$ V	Standard: $\dot{U}_{LL} = 1300$ V	-	+ N or CMF
	$420 \text{ V} < U_N \leq 500$ V	Standard: $\dot{U}_{LL} = 1300$ V	+ du/dt	+ du/dt + (N or CMF)
		or		
	$500 \text{ V} < U_N \leq 600$ V	Reinforced: $\dot{U}_{LL} = 1600$ V, 0.2 microsecond rise time	-	+ N or CMF
		Reinforced: $\dot{U}_{LL} = 1600$ V	+ du/dt	+ du/dt + (N or CMF)
	$600 \text{ V} < U_N \leq 690$ V	or		
		Reinforced: $\dot{U}_{LL} = 1800$ V	-	+ N or CMF
	$600 \text{ V} < U_N \leq 690$ V	Reinforced: $\dot{U}_{LL} = 1800$ V	+ du/dt	+ du/dt + N
Reinforced: $\dot{U}_{LL} = 2000$ V, 0.3 microsecond rise time ***		-	N + CMF	

\*\*\* If the intermediate DC circuit voltage of the drive is increased from the nominal level by resistor braking, check with the motor manufacturer if additional output filters are needed in the applied drive operation range.

The abbreviations used in the table are defined below.

<b>Abbr.</b>	<b>Definition</b>
$U_N$	Nominal AC line voltage
$\hat{U}_{LL}$	Peak line-to-line voltage at motor terminals which the motor insulation must withstand
$P_N$	Motor nominal power
du/dt	du/dt filter at the output of the drive. Available from ABB as an optional add-on kit.
CMF	Common mode filter. Depending on the drive type, CMF is available from ABB as an optional add-on kit.
N	N-end bearing: insulated motor non-drive end bearing
n.a.	Motors of this power range are not available as standard units. Consult the motor manufacturer.

### **Additional requirements for explosion-safe (EX) motors**

If you will use an explosion-safe (EX) motor, follow the rules in the requirements table above. In addition, consult the motor manufacturer for any further requirements.

### **Additional requirements for ABB motors of types other than M2\_, M3\_, M4\_, HX\_ and AM\_**

Use the selection criteria given for non-ABB motors.

### **Additional requirements for the braking applications**

When the motor brakes the machinery, the intermediate circuit DC voltage of the drive increases, the effect being similar to increasing the motor supply voltage by up to 20 percent. Consider this voltage increase when specifying the motor insulation requirements if the motor will be braking a large part of its operation time.

Example: Motor insulation requirement for a 400 V AC line voltage application must be selected as if the drive were supplied with 480 V.



### Additional requirements for ABB high-output and IP23 motors

The rated output power of high output motors is higher than what is stated for the particular frame size in EN 50347 (2001). This table shows the requirements for ABB random-wound motor series (for example, M3AA, M3AP and M3BP).

Nominal mains voltage (AC line voltage)	Requirement for			
	Motor insulation system	ABB du/dt and common mode filters, insulated N-end motor bearings		
		$P_N < 100 \text{ kW}$	$100 \text{ kW} \leq P_N < 200 \text{ kW}$	$P_N \geq 200 \text{ kW}$
		$P_N < 140 \text{ hp}$	$140 \text{ hp} \leq P_N < 268 \text{ hp}$	$P_N \geq 268 \text{ hp}$
$U_N \leq 500 \text{ V}$	Standard	-	+ N	+ N + CMF
$500 \text{ V} < U_N \leq 600 \text{ V}$	Standard	+ du/dt	+ du/dt + N	+ du/dt + N + CMF
	or			
	Reinforced	-	+ N	+ N + CMF
$600 \text{ V} < U_N \leq 690 \text{ V}$	Reinforced	+ du/dt	+ du/dt + N	+ du/dt + N + CMF

**Additional requirements for non-ABB high-output and IP23 motors**

The rated output power of high output motors is higher than what is stated for the particular frame size in EN 50347 (2001). The table below shows the requirements for random-wound and form-wound non-ABB motors.

Nominal AC line voltage	Requirement for		
	Motor insulation system	ABB du/dt filter, insulated N-end bearing and ABB common mode filter	
		$P_N < 100 \text{ kW}$ or frame size $< \text{IEC 315}$	$100 \text{ kW} \leq P_N < 350 \text{ kW}$ or $\text{IEC 315} \leq \text{frame size} < \text{IEC 400}$
	$P_N < 134 \text{ hp}$ or frame size $< \text{NEMA 500}$	$134 \text{ hp} \leq P_N < 469 \text{ hp}$ or $\text{NEMA 500} \leq \text{frame size} \leq \text{NEMA 580}$	
$U_N \leq 420 \text{ V}$	Standard: $\dot{U}_{LL} = 1300 \text{ V}$	+ N or CMF	+ N + CMF
$420 \text{ V} < U_N \leq 500 \text{ V}$	Standard: $\dot{U}_{LL} = 1300 \text{ V}$	+ du/dt + (N or CMF)	+ du/dt + N + CMF
	or		
$500 \text{ V} < U_N \leq 600 \text{ V}$	Reinforced: $\dot{U}_{LL} = 1600 \text{ V}$ , 0.2 microsecond rise time	+ N or CMF	+ N + CMF
	Reinforced: $\dot{U}_{LL} = 1600 \text{ V}$	+ du/dt + (N or CMF)	+ du/dt + N + CMF
	or		
$600 \text{ V} < U_N \leq 690 \text{ V}$	Reinforced: $\dot{U}_{LL} = 1800 \text{ V}$	+ N or CMF	+ N + CMF
	Reinforced: $\dot{U}_{LL} = 1800 \text{ V}$	+ du/dt + N	+ du/dt + N + CMF
$600 \text{ V} < U_N \leq 690 \text{ V}$	Reinforced: $\dot{U}_{LL} = 2000 \text{ V}$ , 0.3 microsecond rise time ***	+ du/dt + N	+ du/dt + N + CMF
	Reinforced: $\dot{U}_{LL} = 2000 \text{ V}$ , 0.3 microsecond rise time ***	N + CMF	N + CMF

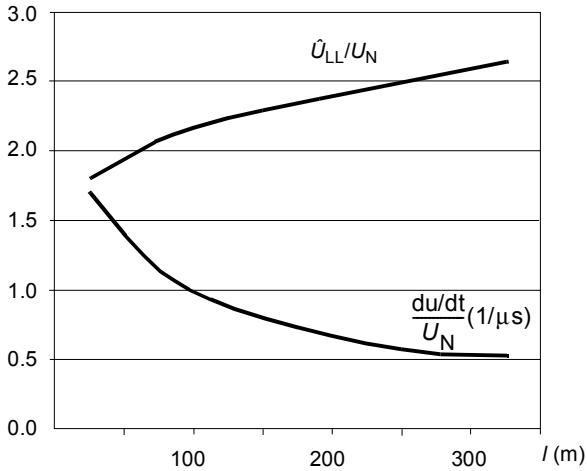
\*\*\* If the intermediate DC circuit voltage of the drive is increased from the nominal level by resistor braking, check with the motor manufacturer if additional output filters are needed in the applied drive operation range.

### **Additional data for calculating the rise time and the peak line-to-line voltage**

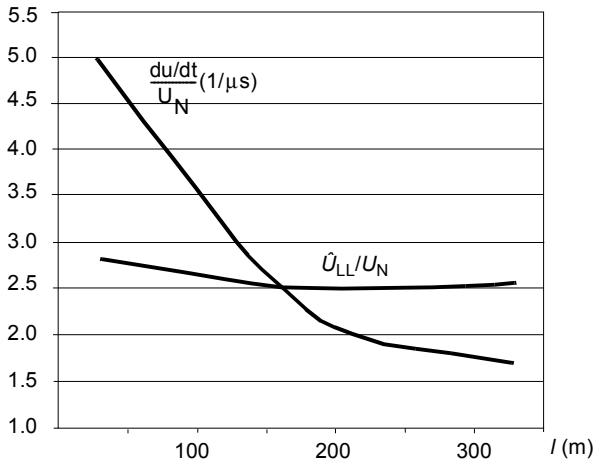
If you need to calculate the actual peak voltage and voltage rise time considering the actual cable length, proceed as follows:

- Peak line-to line voltage: Read the relative  $\hat{U}_{LL}/U_N$  value from the appropriate diagram below and multiply it by the nominal supply voltage ( $U_N$ ).
  - Voltage rise time: Read the relative values  $\hat{U}_{LL}/U_N$  and  $(du/dt)/U_N$  from the appropriate diagram below. Multiply the values by the nominal supply voltage ( $U_N$ ) and substitute into equation  $t = 0.8 \cdot \hat{U}_{LL}/(du/dt)$ .
-

A



B



A	Drive with du/dt filter
B	Drive without du/dt filter
$l$	Motor cable length
$\hat{U}_{LL}/U_N$	Relative peak line-to-line voltage
$(du/dt)/U_N$	Relative du/dt value
<b>Note:</b> $\hat{U}_{LL}$ and du/dt values are approximately 20% higher with resistor braking.	

### Additional note for sine filters

Sine filters protect the motor insulation system. Therefore, du/dt filter can be replaced with a sine filter. The peak phase-to-phase voltage with the sine filter is approximately  $1.5 \cdot U_N$ .

## Selecting the power cables

### ■ General rules

Select the input power and motor cables **according to local regulations**:

- Select a cable capable of carrying the drive nominal current. See section [Ratings](#) (page 150) for the rated currents.
- Select a cable rated for at least 70 °C maximum permissible temperature of conductor in continuous use.  
For frame R3 drives with option +B056 (IP55, UL Type 12) and ambient temperature above 39 °C (102 °F), select a cable rated for at least 75 °C maximum permissible temperature of conductor in continuous use.  
For US, see [Additional US requirements](#), page 75.
- The inductance and impedance of the PE conductor/cable (grounding wire) must be rated according to permissible touch voltage appearing under fault conditions (so that the fault point voltage will not rise excessively when a ground fault occurs).
- 600 V AC cable is accepted for up to 500 V AC. 750 V AC cable is accepted for up to 600 V AC. For 690 V AC rated equipment, the rated voltage between the conductors of the cable should be at least 1 kV.

Use symmetrical shielded motor cable (see page 73) for drive frame size R5 and larger, or motors larger than 30 kW (40 hp). A four-conductor system can be used up to frame size R4 with up to 30 kW (40 hp) motors, but shielded symmetrical motor cable is always recommended. Ground motor cable shields 360° at both ends. Keep the motor cable and its PE pigtail (twisted shield) as short as possible to reduce high-frequency electromagnetic emissions.

**Note:** When continuous metal conduit is employed, shielded cable is not required. The conduit must have bonding at both ends.

A four-conductor system is allowed for input cabling, but shielded symmetrical cable is recommended.

Compared to a four-conductor system, the use of symmetrical shielded cable reduces electromagnetic emission of the whole drive system as well as the stress on motor insulation, bearing currents and wear.

The protective conductor must always have an adequate conductivity.

Unless local wiring regulations state otherwise, the cross-sectional area of the protective conductor must agree with the conditions that require automatic

---

disconnection of the supply required in 411.3.2. of IEC 60364-4-41:2005 and be capable of withstanding the prospective fault current during the disconnection time of the protective device.

The cross-sectional area of the protective conductor can either be selected from the table below or calculated according to 543.1 of IEC 60364-5-54.

The table below shows the minimum cross-sectional area related to the phase conductor size according to IEC 61800-5-1 when the phase conductor and the protective conductor are made of the same metal. If this is not so, the cross-sectional area of the protective earthing conductor shall be determined in a manner which produces a conductance equivalent to that which results from the application of this table.

Cross-sectional area of the phase conductors $S$ (mm <sup>2</sup> )	Minimum cross-sectional area of the corresponding protective conductor $S_p$ (mm <sup>2</sup> )
$S \leq 16$	$S$
$16 < S \leq 35$	16
$35 < S$	$S/2$

### ■ Typical power cable sizes

The table below gives copper and aluminum cable types with concentric copper shield for the drives with nominal current.

Drive type ACS880-01-	Frame size	IEC <sup>1)</sup>		US <sup>2)</sup>	
		Cu cable type	Al cable type	Cu cable type	Al cable type
		mm <sup>2</sup>	mm <sup>2</sup>	AWG/kcmil	AWG/kcmil
$U_N = 230$ V					
04A6-2	R1	3×1.5	-	14	-
06A6-2	R1	3×1.5	-	14	-
07A5-2	R1	3×1.5	-	14	-
10A6-2	R1	3×1.5	-	14	-
16A8-2	R2	3×6	-	10	-
24A3-2	R2	3×6	-	10	-
031A-2	R3	3×10	-	8	-
046A-2	R4	3×16	3×35	6	-
061A-2	R4	3×25	3×35	4	-
075A-2	R5	3×35	3×50	3	-
087A-2	R5	3×35	3×70	3	-
115A-2	R6	3×50	3×70	1	-
145A-2	R6	3×95	3×120	2/0	-
170A-2	R7	3×120	3×150	3/0	-
206A-2	R7	3×150	3×240	250 MCM	-

Drive type	Frame size	IEC <sup>1)</sup>		US <sup>2)</sup>	
		Cu cable type	Al cable type	Cu cable type	Al cable type
		mm <sup>2</sup>	mm <sup>2</sup>	AWG/kcmil	AWG/kcmil
ACS880-01-	R8	2 × (3×95) <sup>3)</sup>	2 × (3×120)	2 × 3/0	-
<b>U<sub>N</sub> = 400 V</b>					
02A4-3	R1	3×1.5	-	14	-
03A3-3	R1	3×1.5	-	14	-
04A0-3	R1	3×1.5	-	14	-
05A6-3	R1	3×1.5	-	14	-
07A2-3	R1	3×1.5	-	14	-
09A4-3	R1	3×1.5	-	14	-
12A6-3	R1	3×1.5	-	14	-
017A-3	R2	3×6	-	10	-
025A-3	R2	3×6	-	10	-
032A-3	R3	3×10	-	8	-
038A-3	R3	3×10	-	8	-
045A-3	R4	3×16	3×35	6	-
061A-3	R4	3×25	3×35	4	-
072A-3	R5	3×35	3×50	3	-
087A-3	R5	3×35	3×70	3	-
105A-3	R6	3×50	3×70	1	-
145A-3	R6	3×95	3×120	2/0	-
169A-3	R7	3×120	3×150	3/0	-
206A-3	R7	3×150	3×240	250 MCM	-
246A-3	R8	2 × (3×70) <sup>3)</sup>	2 × (3×95)	300 MCM	-
293A-3	R8	2 × (3×95) <sup>3)</sup>	2 × (3×120)	2 × 3/0	-
363A-3	R9	2 × (3×120)	2 × (3×185)	2 × 4/0	-
430A-3	R9	2 × (3×150)	2 × (3×240)	2 × 250 MCM	-
<b>U<sub>N</sub> = 500 V</b>					
02A1-5	R1	3×1.5	-	14	-
03A0-5	R1	3×1.5	-	14	-
03A4-5	R1	3×1.5	-	14	-
04A8-5	R1	3×1.5	-	14	-
05A2-5	R1	3×1.5	-	14	-
07A6-5	R1	3×1.5	-	14	-
11A0-5	R1	3×1.5	-	14	-
014A-5	R2	3×6	-	10	-
021A-5	R2	3×6	-	10	-
027A-5	R3	3×10	-	8	-
034A-5	R3	3×10	-	8	-
040A-5	R4	3×16	3×25	6	-

72 Planning the electrical installation

Drive type ACS880-01-	Frame size	IEC <sup>1)</sup>		US <sup>2)</sup>	
		Cu cable type	Al cable type	Cu cable type	Al cable type
		mm <sup>2</sup>	mm <sup>2</sup>	AWG/kcmil	AWG/kcmil
052A-5	R4	3×25	3×25	4	-
065A-5	R5	3×35	3×35	3	-
077A-5	R5	3×35	3×50	3	-
096A-5	R6	3×50	3×70	1	-
124A-5	R6	3×95	3×95	2/0	-
156A-5	R7	3×120	3×150	3/0	-
180A-5	R7	3×150	3×185	250 MCM	-
240A-5	R8	2 × (3×70) <sup>3)</sup>	2 × (3×95)	300 MCM	-
260A-5	R8	2 × (3×70) <sup>3)</sup>	2 × (3×95)	2 × 2/0	-
302A-5	R9	2 × (3×95)	2 × (3×120)	2 × 3/0	-
361A-5	R9	2 × (3×120)	2 × (3×185)	2 × 250 MCM	-
414A-5	R9	2 × (3×150)	2 × (3×240)	2 × 250 MCM	-
<b>U<sub>N</sub> = 690 V</b>					
07A4-7	R3	3×1.5	-	14	-
09A9-7	R3	3×1.5	-	14	-
14A3-7	R3	3×2.5	-	14	-
019A-7	R3	3×4	-	12	-
023A-7	R3	3×6	-	10	-
027A-7	R3	3×10	-	8	-
07A3-7	R5	3×1.5	-	14	12
09A8-7	R5	3×1.5	-	14	12
14A2-7	R5	3×2.5	-	14	12
018A-7	R5	3×4	-	12	10
022A-7	R5	3×6	-	10	8
026A-7	R5	3×10	3×25	8	6
035A-7	R5	3×10	3×25	8	6
042A-7	R5	3×16	3×25	6	4
049A-7	R5	3×16	3×25	6	4
061A-7	R6	3×25	3×35	4	3
084A-7	R6	3×35	3×50	3	2
098A-7	R7	3×50	3×70	2	1/0
119A-7	R7	3×70	3×95	1/0	3/0
142A-7	R8	3×95 <sup>3)</sup>	3×120	2/0	4/0
174A-7	R8	3×120 <sup>3)</sup>	2 × (3×70)	4/0	300
210A-7	R9	3×185	2 × (3×95)	300 MCM	2 × 3/0
271A-7	R9	3×240	2 × (3×120)	400 MCM	2 × 4/0

3AXD00000588487

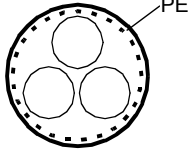
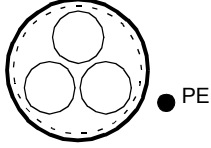
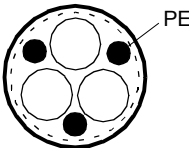


- 1) The cable sizing is based on max. 9 cables laid on a cable ladder side by side, three ladder type trays one on top of the other, ambient temperature 30 °C, PVC insulation, surface temperature 70 °C (EN 60204-1 and IEC 60364-5-52/2001). For other conditions, size the cables according to local safety regulations, appropriate input voltage and the load current of the drive. See also page 194 for the accepted cable sizes of the drive.
- 2) The cable sizing is based on NEC Table 310-16 for copper wires, 75 °C (167 °F) wire insulation at 40 °C (104 °F) ambient temperature. Not more than three current-carrying conductors in raceway or cable or earth (directly buried). For other conditions, size the cables according to local safety regulations, appropriate input voltage and the load current of the drive. See also page 195 for the accepted cable sizes of the drive.
- 3) The biggest cable size accepted by the connection terminals of frame R8 is 2 × (3×150). Biggest possible cable size is 3x240 or 400 MCM if the terminal type is changed and the cable entry box is not used.


### Alternative power cable types

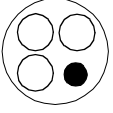
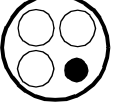
The recommended and not allowed power cable types to be used with the drive are presented below.

#### Recommended power cable types


	<p>Symmetrical shielded cable with three phase conductors and a concentric PE conductor as shield. The shield must meet the requirements of IEC 61800-5-1, see page 69. Check with local / state / country electrical codes for allowance.</p>
	<p>Symmetrical shielded cable with three phase conductors and a concentric PE conductor as shield. A separate PE conductor is required if the shield does not meet the requirements of IEC 61800-5-1, see page 69.</p>
	<p>Symmetrical shielded cable with three phase conductors and symmetrically constructed PE conductor, and a shield. The PE conductor must meet the requirements of IEC 61800-5-1.</p>

#### Power cable types for limited use

	<p>A four-conductor system (three phase conductors and a protective conductor on a cable tray) is <b>not allowed for motor cabling</b> (it is allowed for input cabling).</p>
---	---

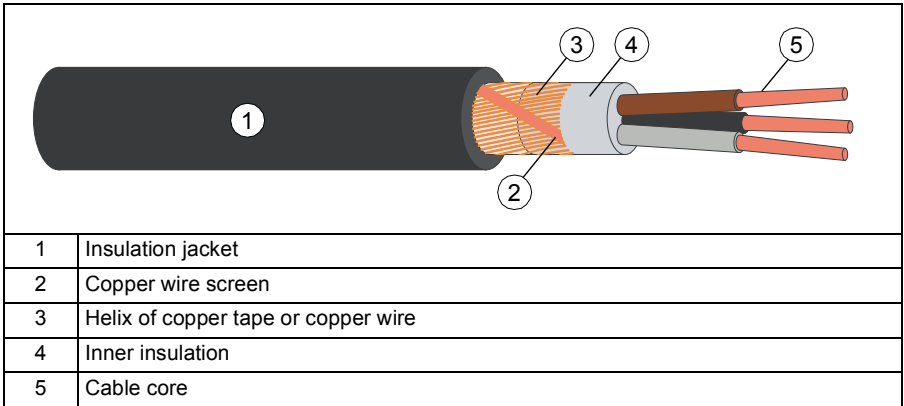
 <p>PVC</p>	<p>A four-conductor system (three phase conductors and a PE conductor in a PVC conduit) is <b>allowed for input and motor cabling with phase conductor cross-section less than 10 mm<sup>2</sup> (8 AWG) or motors ≤ 30 kW (40 hp)</b>. Not allowed in USA.</p>
 <p>EMT</p>	<p>Corrugated or EMT cable with three phase conductors and a protective conductor is allowed for motor cabling with phase conductor cross section less than 10 mm<sup>2</sup> (8 AWG) or motors ≤ 30 kW (40 hp).</p>

**Not allowed power cable types**

 <p>PE</p>	<p>Symmetrical shielded cable with individual shields for each phase conductor is not allowed on any cable size for input and motor cabling.</p>
---	--

### Motor cable shield

If the motor cable shield is used as the sole protective earth conductor of the motor, make sure that the conductivity of the shield is sufficient. See subsection *General rules* on page 69, or IEC 61800-5-1. To effectively suppress radiated and conducted radio-frequency emissions, the cable shield conductivity must be at least 1/10 of the phase conductor conductivity. The requirements are easily met with a copper or aluminum shield. The minimum requirement of the motor cable shield of the drive is shown below. It consists of a concentric layer of copper wires with an open helix of copper tape or copper wire. The better and tighter the shield, the lower the emission level and bearing currents.



### Additional US requirements

Use type MC continuous corrugated aluminum armor cable with symmetrical grounds or shielded power cable for the motor cables if metallic conduit is not used. For the North American market, 600 V AC cable is accepted for up to 500 V AC. 1000 V AC cable is required above 500 V AC (below 600 V AC). For drives rated over 100 amperes, the power cables must be rated for 75 °C (167 °F).

### Conduit

Couple separate parts of a conduit together: bridge the joints with a ground conductor bonded to the conduit on each side of the joint. Also bond the conduits to the drive enclosure and motor frame. Use separate conduits for input power, motor, brake resistor, and control wiring. When conduit is employed, type MC continuous corrugated aluminum armor cable or shielded cable is not required. A dedicated ground cable is always required.

**Note:** Do not run motor wiring from more than one drive in the same conduit.

### Armored cable / shielded power cable

Six conductor (3 phases and 3 ground) type MC continuous corrugated aluminum armor cable with symmetrical grounds is available from the following suppliers (trade names in parentheses):

- Anixter Wire & Cable (Philsheath)
- BICC General Corp (Philsheath)
- Rockbestos Co. (Gardex)
- Oaknite (CLX).

Shielded power cables are available from Belden, LAPPKABEL (ÖLFLEX) and Pirelli.

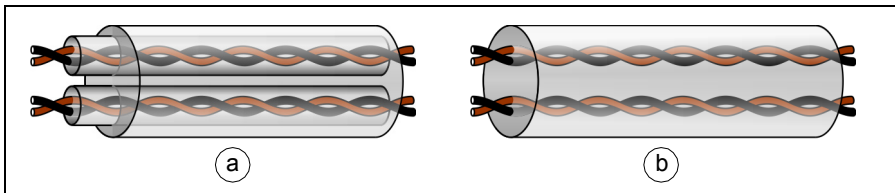
## Selecting the control cables

### ■ Shielding

All control cables must be shielded.

Use a double-shielded twisted pair cable for analog signals. This type of cable is recommended for the pulse encoder signals also. Employ one individually shielded pair for each signal. Do not use common return for different analog signals.

A double-shielded cable (figure a below) is the best alternative for low-voltage digital signals but single-shielded (b) twisted pair cable is also acceptable.



### ■ Signals in separate cables

Run analog and digital signals in separate, shielded cables.

Never mix 24 V DC and 115/230 V AC signals in the same cable.

### ■ Signals allowed to be run in the same cable

Relay-controlled signals, providing their voltage does not exceed 48 V, can be run in the same cables as digital input signals. The relay-controlled signals should be run as twisted pairs.

### ■ Relay cable type

The cable type with braided metallic screen (for example ÖLFLEX by LAPPKABEL, Germany) has been tested and approved by ABB.

### ■ Control panel cable length and type

In remote use, the cable connecting the control panel to the drive must not exceed three meters (10 ft). Cable type: shielded CAT 5e or better Ethernet patch cable with RJ-45 ends.

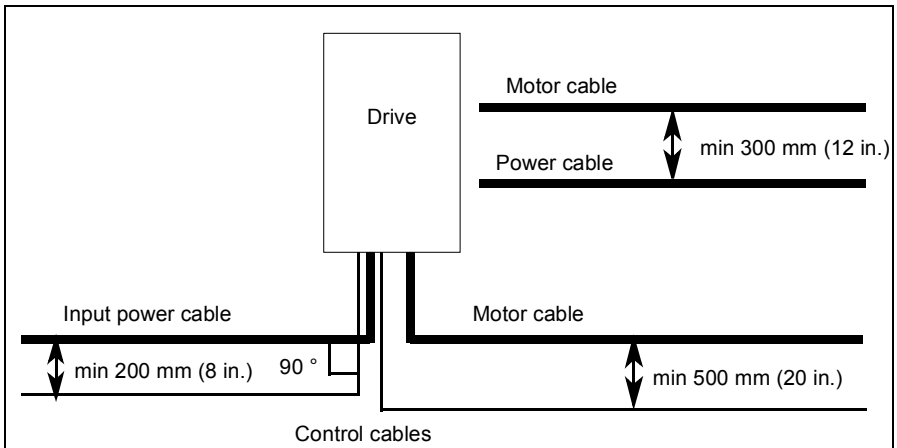
## Routing the cables

Route the motor cable away from other cable routes. Motor cables of several drives can be run in parallel installed next to each other. The motor cable, input power cable and control cables should be installed on separate trays. Avoid long parallel runs of motor cables with other cables in order to decrease electromagnetic interference caused by the rapid changes in the drive output voltage.

Where control cables must cross power cables, ensure they are arranged at an angle as near to 90 degrees as possible. Do not run extra cables through the drive.

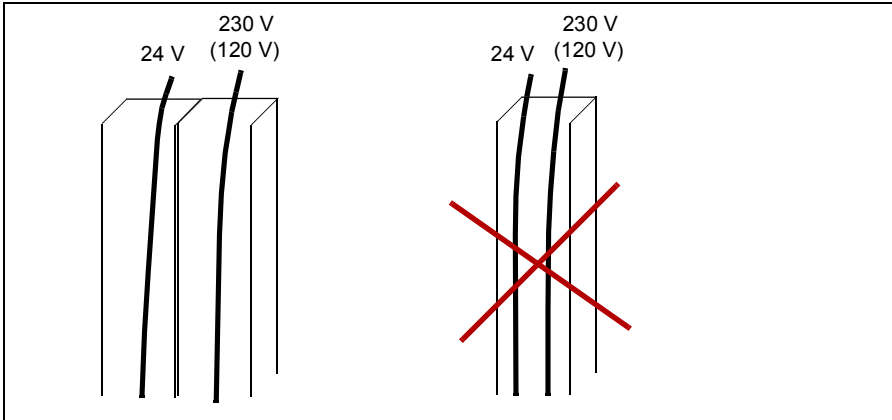
The cable trays must have good electrical bonding to each other and to the grounding electrodes. Aluminum tray systems can be used to improve local equalizing of potential.

A diagram of the cable routing is shown below.



**Separate control cable ducts**

Lead 24 V and 230 V (120 V) control cables in separate ducts unless the 24 V cable is insulated for 230 V (120 V) or insulated with an insulation sleeving for 230 V (120 V).



**Continuous motor cable shield or enclosure for equipment on the motor cable**

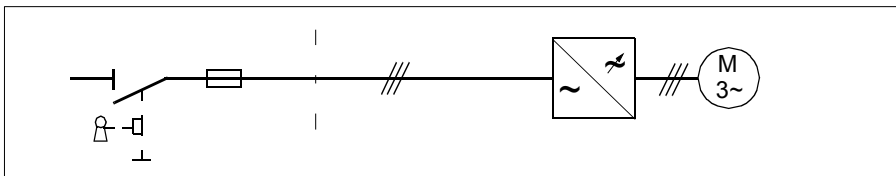
To minimize the emission level when safety switches, contactors, connection boxes or similar equipment are installed on the motor cable between the drive and the motor:

- European Union: Install the equipment in a metal enclosure with 360 degree grounding for the shields of both the incoming and outgoing cable, or connect the shields of the cables otherwise together.
- US: Install the equipment in a metal enclosure in a way that the conduit or motor cable shielding runs consistently without breaks from the drive to the motor.

**Implementing thermal overload and short-circuit protection**

**Protecting the drive and input power cable in short-circuits**

Protect the drive and input cable with fuses as follows:




Size the fuses at the distribution board according to instructions given in chapter [Technical data](#). The fuses will protect the input cable in short-circuit situations, restrict drive damage and prevent damage to adjoining equipment in case of a short-circuit inside the drive.

**Circuit breakers**

The protective characteristics of circuit breakers depend on the type, construction and settings of the breakers. There are also limitations pertaining to the short-circuit capacity of the supply network. Your local ABB representative can help you in selecting the breaker type when the supply network characteristics are known.

---

 **WARNING!** Due to the inherent operating principle and construction of circuit breakers, independent of the manufacturer, hot ionized gases can escape from the breaker enclosure in case of a short-circuit. To ensure safe use, pay special attention to the installation and placement of the breakers. Obey the manufacturer's instructions.

---

You can use the circuit breakers listed below. Other circuit breakers can be used with drive if they provide the same electrical characteristics. ABB does not assume any liability whatsoever for the correct function and protection with circuit breakers not listed below. Furthermore, if the recommendations given by ABB are not obeyed, the drive can experience problems that warranty does not cover.

**Note:** Fuses must be used with circuit breakers in the USA.

Drive type ACS880-01-	Frame size	ABB miniature circuit breaker		ABB moulded case circuit breaker (Tmax)	
		Type	kA <sup>1)</sup>	Type	kA <sup>1)</sup>
$U_N = 230\text{ V}$					
04A6-2	R1	S 203 M/P-B/C 6	5	-	-
06A6-2	R1	S 203 M/P-B/C 6	5	-	-
07A5-2	R1	S 203 M/P-B/C 16	5	-	-
10A6-2	R1	S 203 M/P-B/C 16	5	-	-
16A8-2	R2	S 203 M/P-B/C 20	5	-	-
24A3-2	R2	S 203 M/P-B/C 32	5	-	-
031A-2	R3	S 203 M/P-B/C 50	5	-	-
046A-2	R4	S 803 S-B/C 75	10	-	-
061A-2	R4	S 803 S-B/C 80	10	-	-
075A-2	R5	S 803 S-B/C 125	10	1SDA067918R1	65
087A-2	R5	S 803 S-B/C 125	10	1SDA067918R1	65
115A-2	R6	-	-	1SDA067918R1	65
145A-2	R6	-	-	1SDA068555R1	65
170A-2	R7	-	-	1SDA068555R1	65
206A-2	R7	-	-	1SDA054141R1	65

---

Drive type ACS880-01-	Frame size	ABB miniature circuit breaker		ABB moulded case circuit breaker (Tmax)	
		Type	kA <sup>1)</sup>	Type	kA <sup>1)</sup>
274A-2	R8	-	-	1SDA054141R1	65
<b><math>U_N = 400\text{ V}</math></b>					
02A4-3	R1	S 203 M/P-B/C 6	5	-	-
03A3-3	R1	S 203 M/P-B/C 6	5	-	-
04A0-3	R1	S 203 M/P-B/C 6	5	-	-
05A6-3	R1	S 203 M/P-B/C 10	5	-	-
07A2-3	R1	S 203 M/P-B/C 13	5	-	-
09A4-3	R1	S 203 M/P-B/C 13	5	-	-
12A6-3	R1	S 203 M/P-B/C 20	5	-	-
017A-3	R2	S 203 M/P-B/C 25	5	-	-
025A-3	R2	S 203 M/P-B/C 32	5	-	-
032A-3	R3	S 203 M/P-B/C 50	5	-	-
038A-3	R3	S 203 M/P-B/C 63	5	-	-
045A-3	R4	S 803 S-B/C 63	10	-	-
061A-3	R4	S 803 S-B/C 75	10	-	-
072A-3	R5	S 803 S-B/C 125	10	1SDA067918R1	65
087A-3	R5	S 803 S-B/C 125	10	1SDA067918R1	65
105A-3	R6	-	-	1SDA068555R1	65
145A-3	R6	-	-	1SDA068555R1	65
169A-3	R7	-	-	1SDA068555R1	65
206A-3	R7	-	-	1SDA054141R1	65
246A-3	R8	-	-	1SDA054365R1	65
293A-3	R8	-	-	1SDA054420R1	65
363A-3	R9	-	-	1SDA054420R1	65
430A-3	R9	-	-	1SDA054420R1	65
<b><math>U_N = 500\text{ V}</math></b>					
02A1-5	R1	S 803 S-B/C 6	10	-	-
03A0-5	R1	S 803 S-B/C 6	10	-	-
03A4-5	R1	S 803 S-B/C 6	10	-	-
04A8-5	R1	S 803 S-B/C 10	10	-	-
05A2-5	R1	S 803 S-B/C 13	10	-	-
07A6-5	R1	S 803 S-B/C 13	10	-	-
11A0-5	R1	S 803 S-B/C 20	10	-	-
014A-5	R2	S 803 S-B/C 25	10	-	-
021A-5	R2	S 803 S-B/C 32	10	-	-
027A-5	R3	S 803 S-B/C 50	10	-	-
034A-5	R3	S 803 S-B/C 63	10	-	-
040A-5	R4	S 803 S-B/C 63	10	-	-
052A-5	R4	S 803 S-B/C 75	10	-	-



Drive type ACS880-01-	Frame size	ABB miniature circuit breaker		ABB moulded case circuit breaker (Tmax)	
		Type	kA <sup>1)</sup>	Type	kA <sup>1)</sup>
065A-5	R5	S 803 S-B/C 125	10	1SDA067918R1	65
077A-5	R5	S 803 S-B/C 125	10	1SDA067918R1	65
096A-5	R6	-	-	1SDA068555R1	65
124A-5	R6	-	-	1SDA068555R1	65
156A-5	R7	-	-	1SDA068555R1	65
180A-5	R7	-	-	1SDA054141R1	65
240A-5	R8	-	-	1SDA054420R1	65
260A-5	R8	-	-	1SDA054420R1	65
361A-5	R9	-	-	1SDA054420R1	65
414A-5	R9	-	-	1SDA054420R1	65
<b>U<sub>N</sub> = 690 V</b>					
07A4-7	R3	S 803 S-B/C 13	4	1SDA067915R1	18
09A9-7	R3	S 803 S-B/C 20	4	1SDA067915R1	18
14A3-7	R3	S 803 S-B/C 25	4	1SDA067915R1	18
019A-7	R3	S 803 S-B/C 32	4	1SDA067916R1	18
023A-7	R3	S 803 S-B/C 50	4	1SDA067916R1	18
027A-7	R3	S 803 S-B/C 63	4	1SDA067916R1	18
07A3-7	R5	S 803 S-B/C 13	4	1SDA067915R1	18
09A8-7	R5	S 803 S-B/C 20	4	1SDA067915R1	18
14A2-7	R5	S 803 S-B/C 25	4	1SDA067915R1	18
018A-7	R5	S 803 S-B/C 32	4	1SDA067916R1	18
022A-7	R5	S 803 S-B/C 50	4	1SDA067916R1	18
026A-7	R5	S 803 S-B/C 63	4	1SDA067916R1	18
035A-7	R5	S 803 S-B/C 63	4	1SDA067916R1	18
042A-7	R5	S 803 S-B/C 80	4	1SDA067917R1	18
				1SDA054069R1	35
049A-7	R5	S 803 S-B/C 80	4	1SDA067917R1	18
				1SDA054069R1	35
061A-7	R6	S 803 S-B/C 125	3	1SDA067918R1	20
				1SDA054070R1	35
084A-7	R6	S 803 S-B/C 125	3	1SDA067918R1	20
				1SDA054070R1	35
098A-7	R7	-	-	1SDA068555R1	20
				1SDA054071R1	35
119A-7	R7	-	-	1SDA068555R1	20
				1SDA054071R1	35
142A-7	R8	-	-	1SDA068555R1	20
				1SDA054071R1	35
174A-7	R8	-	-	1SDA054141R1	35

Drive type ACS880-01-	Frame size	ABB miniature circuit breaker		ABB moulded case circuit breaker (Tmax)	
		Type	kA <sup>1)</sup>	Type	kA <sup>1)</sup>
210A-7	R9	-		1SDA054365R1	35
271A-7	R9	-		1SDA054420R1	35

3AXD00000588487, 3AXD10000114581

<sup>1)</sup> Maximum allowed rated conditional short-circuit current (IEC 61800-5-1) of the electrical power network

### ■ Protecting the motor and motor cable in short-circuits

The drive protects the motor cable and motor in a short-circuit situation when the motor cable is sized according to the nominal current of the drive. No additional protection devices are needed.

### ■ Protecting the drive and the input power and motor cables against thermal overload

The drive protects itself and the input and motor cables against thermal overload when the cables are sized according to the nominal current of the drive. No additional thermal protection devices are needed.



**WARNING!** If the drive is connected to multiple motors, use a separate circuit breaker or fuses for protecting each motor cable and motor against overload. The drive overload protection is tuned for the total motor load. It may not trip due to an overload in one motor circuit only

---

### ■ Protecting the motor against thermal overload

According to regulations, the motor must be protected against thermal overload and the current must be switched off when overload is detected. The drive includes a motor thermal protection function that protects the motor and switches off the current when necessary. Depending on a drive parameter value, the function either monitors a calculated temperature value (based on a motor thermal model) or an actual temperature indication given by motor temperature sensors. The user can tune the thermal model further by feeding in additional motor and load data.

The most common temperature sensors are:

- motor sizes IEC180...225: thermal switch, eg, Klixon
- motor sizes IEC200...250 and larger: PTC or Pt100.

See the firmware manual for more information on the motor thermal protection, and the connection and use of the temperature sensors.

---

## Protecting the drive against ground faults

The drive is equipped with an internal ground fault protective function to protect the unit against ground faults in the motor and motor cable. This is not a personnel safety or a fire protection feature. The ground fault protective function can be disabled with a parameter, refer to the firmware manual.

### ■ Residual current device compatibility

The drive is suitable to be used with residual current devices of Type B.


**Note:** The EMC filter of the drive includes capacitors connected between the main circuit and the frame. These capacitors and long motor cables increase the ground leakage current and may cause fault current circuit breakers to function.

## Connecting drives to a common DC system

See *ACS880-01 drives and ACS880-04 drive modules common DC systems application guide* (3AUA0000127818 [English]).

## Implementing the Emergency stop function

For safety reasons, install the emergency stop devices at each operator control station and at other operating stations where emergency stop may be needed. You can use the Safe torque off function of the drive to implement the Emergency stop function. See chapter [Safe Torque off function](#) on page 235.

**Note:** Pressing the stop key  on the control panel of the drive does not generate an emergency stop of the motor or separate the drive from dangerous potential.

## Implementing the Safe torque off function

See chapter [Safe Torque off function](#) on page 235.

## Implementing the safety functions with the FSO module

The drive can be equipped with a safety functions module as factory installed (option +Q973 or +Q972). The module is also available as a retrofit kit. The safety functions module enables the implementation of functions such as Safe brake control (SBC), Safe stop 1 (SS1), Safe stop emergency (SSE), Safely limited speed (SLS) and Safe maximum speed (SMS).

The settings of the FSO-xx are at default when delivered from the factory. The wiring of the external safety circuit and configuration of the FSO-xx module are the responsibility of the machine builder.

The FSO-xx reserves the standard Safe torque off (STO) connection of the drive control unit. STO can still be utilized by other safety circuits through the FSO-xx.

For the installation of the safety functions module, see section [Installation of safety functions modules](#) on page 123. For wiring instructions, safety data and more information on the option, see *FSO-12 safety functions module user's manual* (3AXD50000015612 [English]) or *FSO-21 safety functions module user's manual* (3AXD50000015614 [English]).

## ■ Declaration of Conformity

See page 207.

## Implementing the ATEX-certified Safe motor disconnection function (option +Q971)

With option +Q971, the drive supplies ATEX-certified safe motor disconnection without contactor that uses the drive Safe torque off function. For more information, see *ACS880 ATEX-certified Safe disconnection function application guide* (3AUA0000132231 [English]). See also section [Deratings for special settings in the drive control program](#) on page 162.

## Implementing the Power-loss ride-through function

Implement the power-loss ride-through function as follows:

- Check that the power-loss ride-through function of the drive is enabled with parameter **30.31 Undervoltage control** in the ACS880 primary control program.
- If the installation is equipped with a main contactor, prevent its tripping at the input power break. For example, use a time delay relay (hold) in the contactor control circuit.



**WARNING!** Make sure that the flying restart of the motor will not cause any danger. If you are in doubt, do not implement the Power-loss ride-through function.

---

## Using power factor compensation capacitors with the drive

Power factor compensation is not needed with AC drives. However, if a drive is to be connected in a system with compensation capacitors installed, note the following restrictions.



**WARNING!** Do not connect power factor compensation capacitors or harmonic filters to the motor cables (between the drive and the motor). They are not meant to be used with AC drives and can cause permanent damage to the drive or themselves.

---

If there are power factor compensation capacitors in parallel with the three phase input of the drive:

1. Do not connect a high-power capacitor to the power line while the drive is connected. The connection will cause voltage transients that may trip or even damage the drive.
2. If capacitor load is increased/decreased step by step when the AC drive is connected to the power line, ensure that the connection steps are low enough not to cause voltage transients that would trip the drive.
3. Check that the power factor compensation unit is suitable for use in systems with AC drives, ie, harmonic generating loads. In such systems, the compensation unit should typically be equipped with a blocking reactor or harmonic filter.

## Using a contactor between the drive and the motor

Implementing the control of the output contactor depends on how you select the drive to operate. See also section [Implementing a bypass connection](#) on page 85.

When you have selected to use DTC motor control mode and motor ramp stop, open the contactor as follows:

1. Give a stop command to the drive.
4. Wait until the drive decelerates the motor to zero speed.
5. Open the contactor.

When you have selected to use DTC motor control mode and motor coast stop, or scalar control mode, open the contactor as follows:

1. Give a stop command to the drive.
2. Open the contactor.



**WARNING!** When the DTC motor control mode is in use, never open the output contactor while the drive controls the motor. The DTC motor control operates extremely fast, much faster than it takes for the contactor to open its contacts. When the contactor starts opening while the drive controls the motor, the DTC control will try to maintain the load current by immediately increasing the drive output voltage to the maximum. This will damage, or even burn the contactor completely.

---

## Implementing a bypass connection

If bypassing is required, employ mechanically or electrically interlocked contactors between the motor and the drive and between the motor and the power line. Make sure with interlocking that the contactors cannot be closed simultaneously. The

---

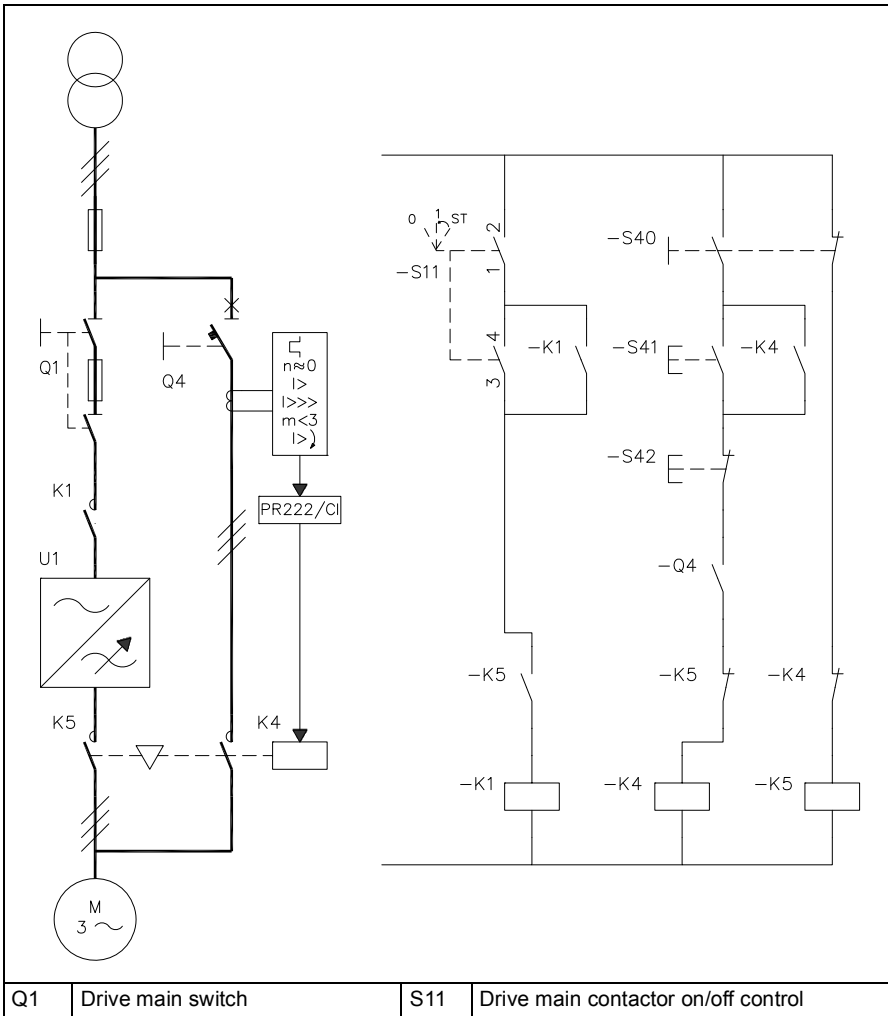
installation must be clearly marked as defined in IEC/EN 61800-5-1, subclause 6.5.3, for example, "THIS MACHINE STARTS AUTOMATICALLY".



**WARNING!** Never connect the drive output to the electrical power network. The connection may damage the drive.

**■ Example bypass connection**

An example bypass connection is shown below.



Q4	Bypass circuit breaker	S40	Motor power supply selection (drive or direct-on-line)
K1	Drive main contactor	S41	Start when motor is connected direct-on-line
K4	Bypass contactor	S42	Stop when motor is connected direct-on-line
K5	Drive output contactor		

### Switching the motor power supply from drive to direct-on-line

1. Stop the drive and the motor with the drive control panel (drive in local control mode) or with the external stop signal (drive in remote control mode).
2. Open the main contactor of the drive with S11.
3. Switch the motor power supply from the drive to direct-on-line with S40.
4. Wait for 10 seconds to allow the motor magnetization to die away.
5. Start the motor with S41.

### Switching the motor power supply from direct-on-line to drive

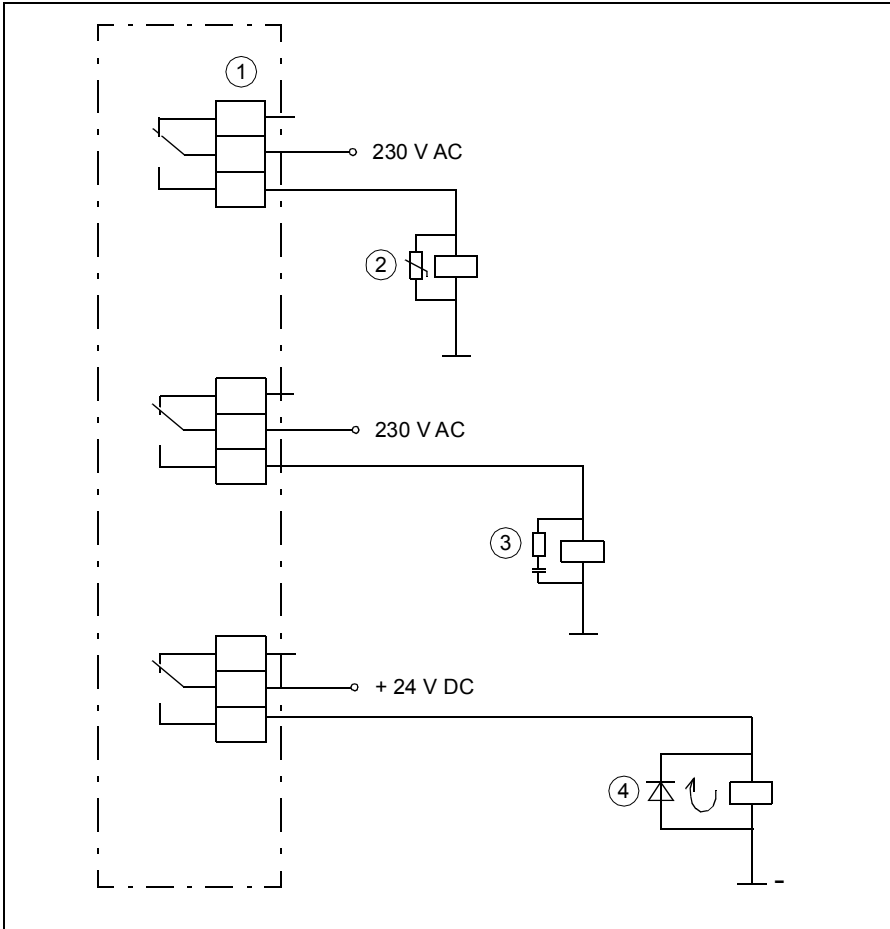
1. Stop the motor with S42.
2. Switch the motor power supply from direct-on-line to the drive with S40.
3. Close the main contactor of the drive with switch S11 (-> turn to position ST for two seconds and leave at position 1).
4. Start the drive and the motor with the drive control panel (drive in local control mode) or with the external start signal (drive in remote control mode).

## Protecting the contacts of relay outputs

Inductive loads (relays, contactors, motors) cause voltage transients when switched off.

The relay contacts on the drive control unit are protected with varistors (250 V) against overvoltage peaks. In spite of this, it is highly recommended that inductive loads are equipped with noise attenuating circuits (varistors, RC filters [AC] or diodes [DC]) in order to minimize the EMC emission at switch-off. If not suppressed, the disturbances may connect capacitively or inductively to other conductors in the control cable and form a risk of malfunction in other parts of the system.

Install the protective component as close to the inductive load as possible. Do not install protective components at the relay outputs.



1) Relay outputs; 2) Varistor; 3) RC filter; 4) diode



## Implementing a motor temperature sensor connection

---



**WARNING!** IEC 60664 requires double or reinforced insulation between live parts and the surface of accessible parts of electrical equipment which are either non-conductive but not connected to the protective earth.

To connect a motor temperature sensor and other similar components to the drive, you have four alternatives:

1. If there is double or reinforced insulation between the sensor and the live parts of the motor, you can connect the sensor directly to the inputs of the drive.
2. If there is basic insulation between the sensor and the live parts of the motor, you can connect the sensor to the inputs of the drive if all circuits connected to the drive's digital and analog inputs (typically extra-low voltage circuits) are protected against contact and insulated with basic insulation from other low-voltage circuits. The insulation must be rated for the same voltage level as the drive main circuit. Note that extra-low voltage circuits (such as 24 V DC) typically do not meet these requirements.
3. You can connect the sensor to an extension module with basic insulation (eg, FAIO-01) or reinforced insulation (eg, FPTC-xx) between the sensor connector and the other connectors of the module. See the table below for the sensor insulation requirement. For sensor connection to the extension module, see its manual.
4. You can connect a sensor to an external thermistor relay the insulation of which is rated for the main circuit voltage of the drive.

### ■ Drive I/O, I/O extension and encoder interface modules

See sections:

- section [AI1 and AI2 as Pt100, Pt1000, PTC and KTY84 sensor inputs \(XAI, XAO\)](#) on page 113
  - section [DI6 \(XDI:6\) as PTC sensor input](#) on page 115
  - [FPTC-01 thermistor protection module \(option +L536\) for ACS880 drives user's manual \(3AXD50000027750 \[English\]\)](#)
  - [FPTC-02 ATEX-certified thermistor protection module Ex II \(2\) GD \(option +L537+Q971\) for ACS880 drives user's manual \(3AXD50000027782 \[English\]\)](#).
-

This table shows what temperature sensor types you can connect to the drive I/O extension modules as well as the insulation requirement for the sensor.

Extension module		Temperature sensor type			Temperature sensor insulation requirement
Type	Insulation/Isolation	PTC	KTY	Pt100, Pt1000	
FIO-11	Galvanic isolation between sensor connector and other connectors (including drive control unit connector)	-	X	X	Reinforced insulation
FEN-xx	Galvanic isolation between sensor connector and other connectors (including drive control unit connector)	X	X	-	Reinforced insulation
FAIO-01	Basic insulation between sensor connector and drive control unit connector. No insulation between sensor connector and other IO connectors.	X	X	X	Basic insulation. Connectors of extension module other than sensor connector must be left unconnected.
FPTC-xx	Reinforced insulation between sensor connector and other connectors (including drive control unit connector).	X	-	-	No special requirement

**Note:** The inaccuracy of the drive analog inputs for Pt100 sensors is 10 °C (18 °F). If a better accuracy is needed, use the FAIO-01 analog I/O extension module (option +L525).

# 6

## Electrical installation

---

### What this chapter contains

This chapter gives instructions on wiring the drive.

### Warnings



**WARNING!** Only qualified electricians are allowed to carry out the work described in this chapter. Follow the [Safety instructions](#) in the first chapter of this manual. Ignoring the safety instructions can cause physical injury or death.

---

### Checking the insulation of the assembly

#### ■ Drive

Do not make any voltage tolerance or insulation resistance tests on any part of the drive as testing can damage the drive. Every drive has been tested for insulation between the main circuit and the chassis at the factory. Also, there are voltage-limiting circuits inside the drive which cut down the testing voltage automatically.

#### ■ Input power cable

Check the insulation of the input cable according to local regulations before connecting it to the drive.

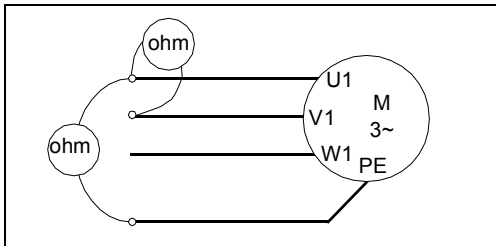
---



## ■ Motor and motor cable

Check the insulation of the motor and motor cable as follows:

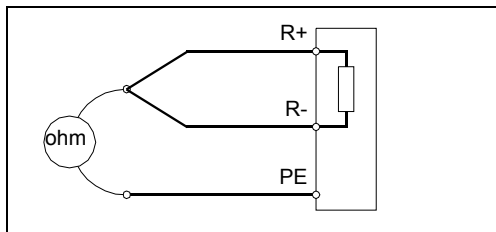
1. Check that the motor cable is disconnected from the drive output terminals T1/U, T2/V and T3/W.
2. Measure the insulation resistance between each phase conductor and then between each phase conductor and the Protective Earth conductor using a measuring voltage of 1000 V DC. The insulation resistance of an ABB motor must exceed 100 Mohm (reference value at 25 °C or 77 °F). For the insulation resistance of other motors, please consult the manufacturer's instructions. **Note:** Moisture inside the motor casing will reduce the insulation resistance. If moisture is suspected, dry the motor and repeat the measurement.



## ■ Brake resistor assembly

Check the insulation of the brake resistor assembly (if present) as follows:

1. Check that the resistor cable is connected to the resistor, and disconnected from the drive output terminals R+ and R-.
2. At the drive end, connect the R+ and R- conductors of the resistor cable together. Measure the insulation resistance between the combined conductors and the PE conductor by using a measuring voltage of 1 kV DC. The insulation resistance must be higher than 1 Mohm.



## Checking the compatibility with IT (ungrounded) and corner-grounded TN systems



**WARNING!** Do not install the drive with EMC filter +E200 or +E202 on an IT system (an ungrounded power system or a high-resistance-grounded [over 30 ohms] power system), otherwise the system will be connected to ground potential through the EMC filter capacitors of the drive. This can cause danger, or damage the drive.

---



**WARNING!** Do not install the drive with the ground-to-phase varistor connected on an IT system (an ungrounded power system or a high-resistance-grounded [over 30 ohms] power system), otherwise the varistor circuit can be damaged.

---

### ■ EMC filter

Drive EMC filters +E200 and +E202 are not suitable for use in an IT (ungrounded) system. Disconnect the filter before you connect the drive to the supply network. For instructions, see *EMC filter and ground-to-phase varistor disconnecting instructions for ACS880-01 drives* (3AUA0000125152 [English]).

### ■ Ground-to-phase varistor

The ground-to-phase varistor of the drive is not suitable for use on an IT (ungrounded) system. Disconnect the varistor before you connect the drive to the supply network. For instructions, see *EMC filter and ground-to-phase varistor disconnecting instructions for ACS880-01 drives* (3AUA0000125152 [English]).

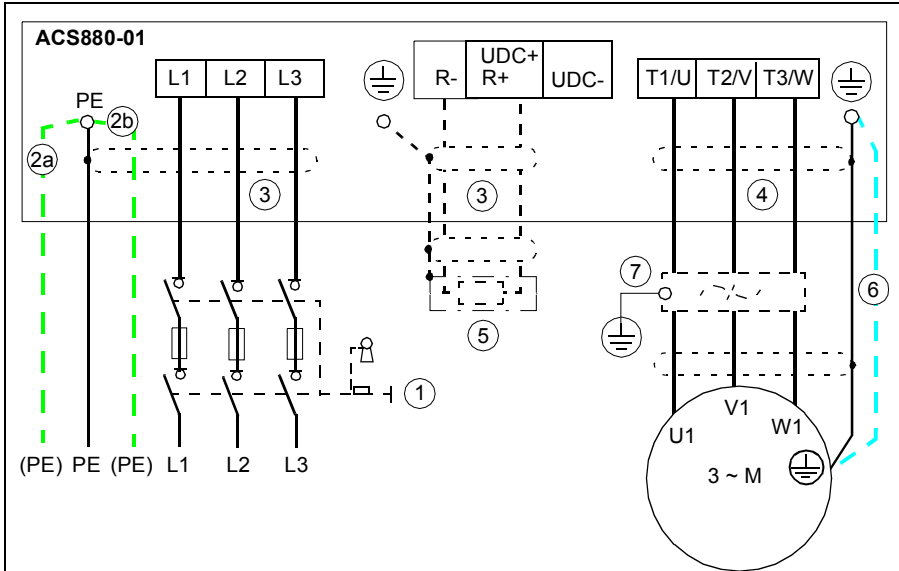
### ■ 690 V drives

Do not install 690 V drives on corner-grounded TN systems or corner-grounded IT systems.



## Connecting the power cables

### ■ Connection diagram



1	For alternatives, see section <a href="#">Selecting the supply disconnecting device</a> on page 59.
2	Use a separate grounding PE cable (2a) or a cable with a separate PE conductor (2b) if the conductivity of the shield does not meet the requirements for the PE conductor (see page 69).
3	360-degree grounding is recommended if shielded cable is used. Ground the other end of the input cable shield or PE conductor at the distribution board.
4	360-degree grounding is required.
5	External brake resistor
6	Use a separate grounding cable if the shield does not meet the requirements of IEC 61800-5-1 (see page 69) and there is no symmetrically constructed grounding conductor in the cable (see page 75).
7	du/dt filter or sine filter (optional, see page 263).

#### Note:

If there is a symmetrically constructed grounding conductor on the motor cable in addition to the conductive shield, connect the grounding conductor to the grounding terminal at the drive and motor ends.

Do not use an asymmetrically constructed motor cable for motors above 30 kW (see page 69). Connecting its fourth conductor at the motor end increases bearing currents and causes extra wear.

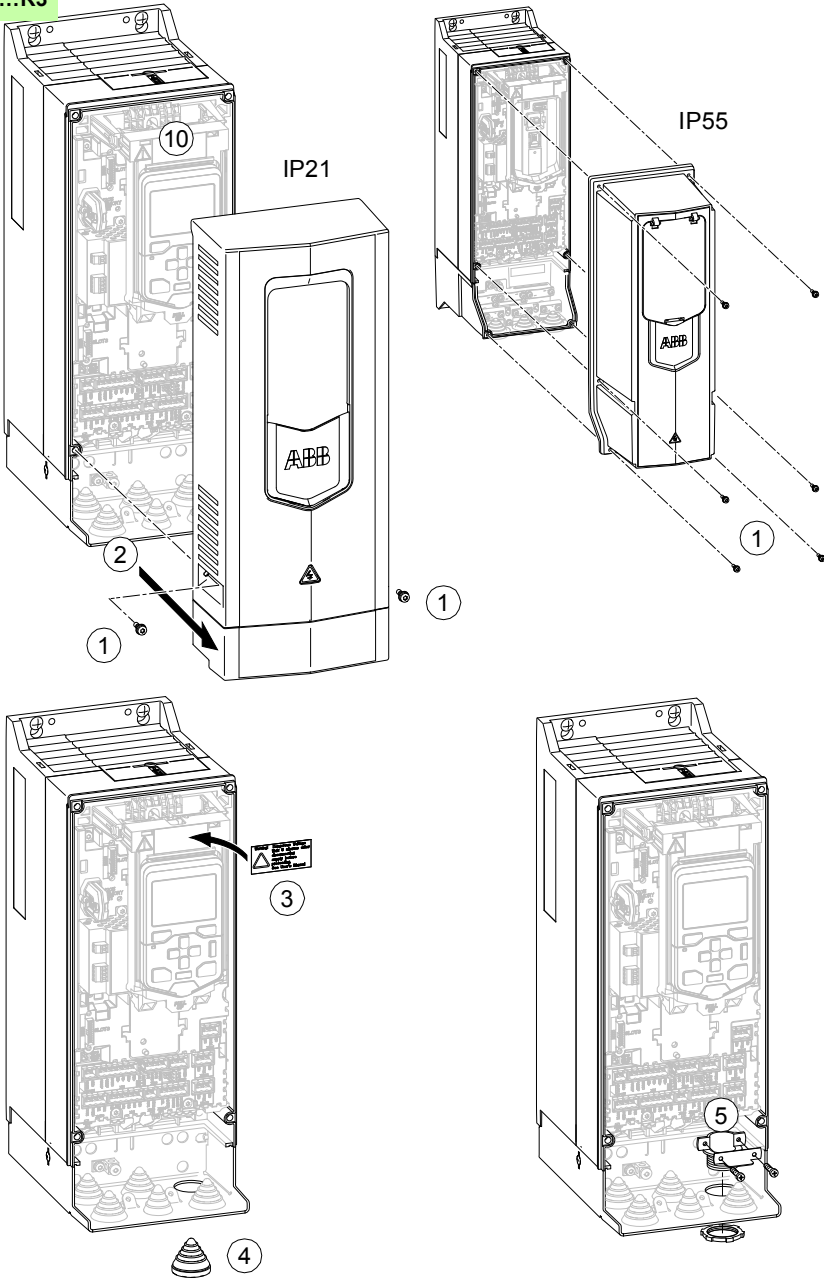
### ■ Connection procedure for frames R1 to R3

1. Undo the mounting screws at the sides of the front cover.
2. Remove the cover by sliding it forward.
3. Attach the residual voltage warning sticker in the local language to the control panel mounting platform.
4. Remove the rubber grommets from the lead-through plate for the cables to be connected.
5. IP21 units: Fasten the cable connectors (included in the delivery in a plastic bag) to the cable lead-through plate holes.
6. Prepare the input power and motor cable ends as illustrated in the figure. **Note**: Bare shield will be grounded 360 degrees.
7. IP21 units: Ground the shields 360 degrees in the connectors by tightening the connector onto the stripped part of the cable. IP55 units: Tighten the clamps onto the stripped part of the cables. Mind the sharp edges.
8. Connect the twisted shields of the power cables to the grounding terminals.
9. Connect the additional PE conductor (if used, see page 15) of the input cable to the grounding terminal.
10. Connect the phase conductors of the input cable to the L1, L2 and L3 terminals and the phase conductors of the motor cable to the T1/U, T2/V and T3/W terminals. Connect the brake resistor conductors (if present) to the R+ and R- terminals. Tighten the screws to the torque given in the figure below.
11. Install the control cable grounding shelf in the cable entry box.
12. Secure the cables outside the unit mechanically.

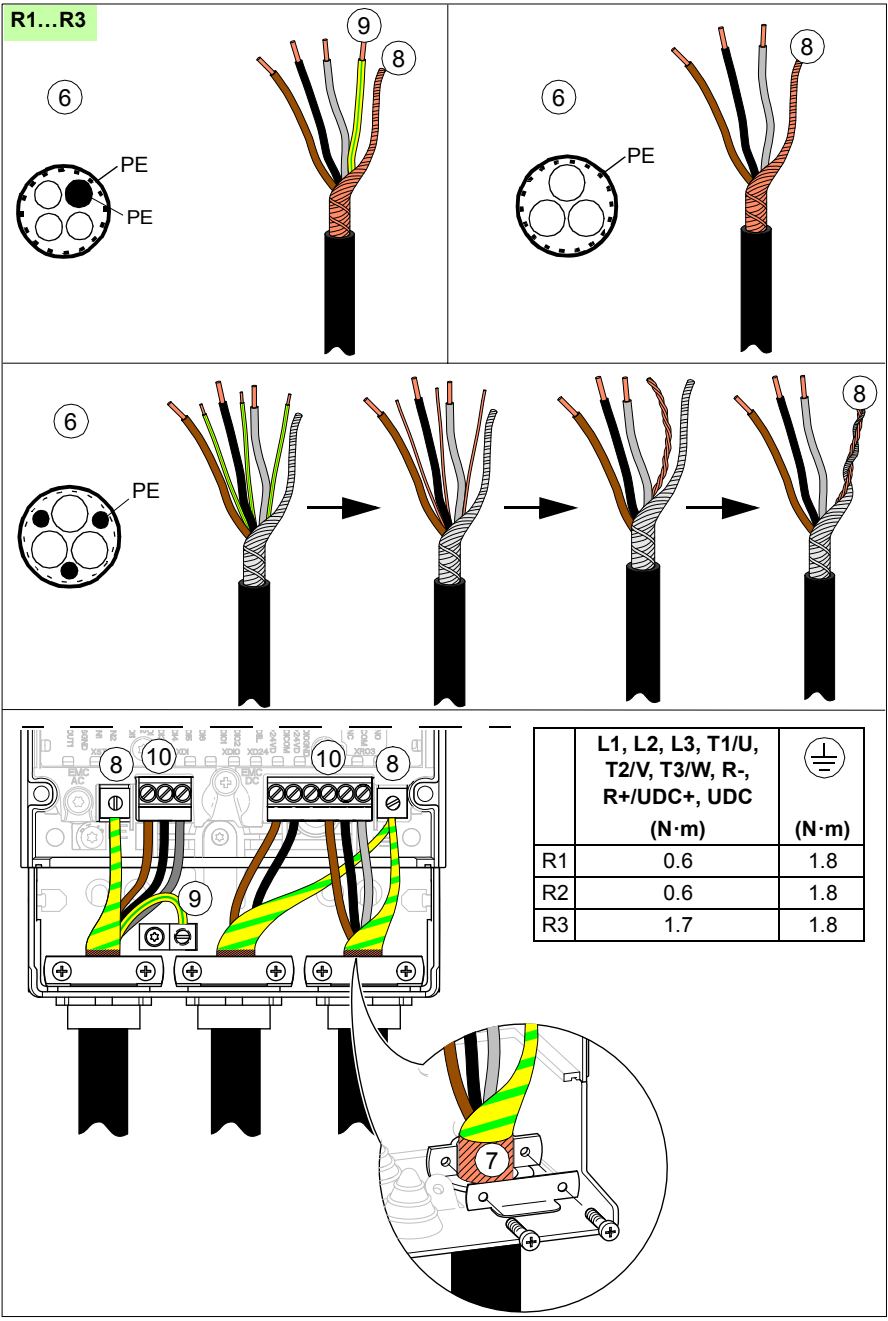
**Note**: For US cable conduit installation, see the quick installation guide.

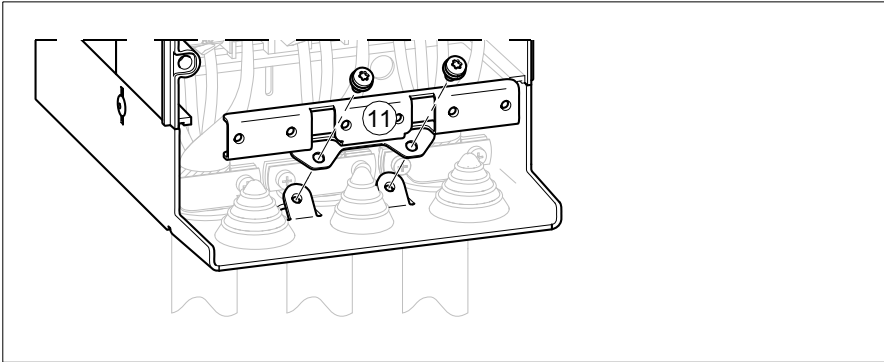


R1...R3









### ■ Connection procedure for frames R4 and R5

1. Remove the front cover. **IP21 units:** Release the retaining clip with a screwdriver (a) and lift the cover from the bottom outwards (b).
2. **For IP21 drives:** Remove the cable entry box cover by undoing the mounting screw.
3. **For frame R4:** Remove the EMC shroud that separates the input and output cabling if needed for easier installation.
4. Remove the shroud on the power cable terminals by releasing the clips and lifting the shroud up from the sides with a screwdriver (a). Knock out holes in the shroud for the cables to be installed (b).
5. Attach the residual voltage warning sticker in the local language next to the control unit top.
6. Cut adequate holes into the rubber grommets. Slide the grommets onto the cables. Slide the cables through the holes of the bottom plate and attach the grommets to the holes.
7. Prepare the ends of the input power and motor cables as illustrated in the figure. **Note:** Bare shield will be grounded 360 degrees under the grounding clamp.
8. Ground the cable shields 360 degrees under the grounding clamps. Mind the sharp edges.
9. Connect the twisted cable shields to the grounding terminals.
10. Connect the phase conductors of the input cable to the L1, L2 and L3 terminals and the phase conductors of the motor cable to the T1/U, T2/V and T3/W terminals. Tighten the screws to the torque given in the figure below.

**Note for aluminum cables:** Apply grease onto the conductor ends before you put them into the terminals.

**Note for cable lug installation (frame R5):** Detach the connector and install a cable lug to the terminal post as follows:

- Remove the combi screw that attaches the connector to its terminal post and pull the connector off.
- Attach the cable lug to the conductor.
- Put the cable lug onto the terminal post. Start the nut, and turn it at least two rotations by hand.



**WARNING!** Before using tools, make sure that the nut/screw is not cross-threading. Cross-threading will damage the drive and cause danger.

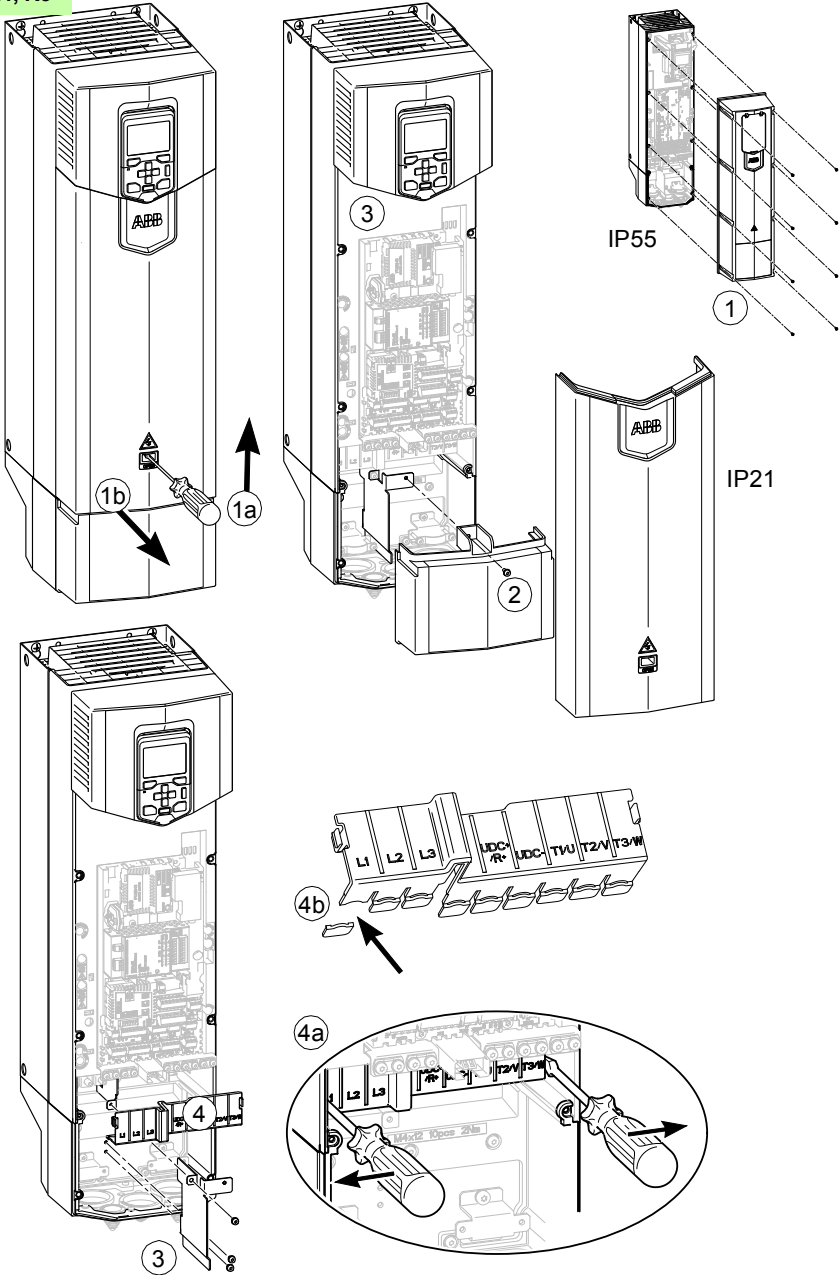
---

- Tighten the nut to a torque of 5 N·m.
11. Install the EMC shroud separating the input and output cabling if not installed yet.
  12. Units with option +D150: Slide the brake resistor cable through the brake resistor and control cable clamp assembly. Connect the conductors to the R+ and R- terminals and tighten to the torque given in the figure.
  13. Reinstall the shroud on the power terminals.
  14. Secure the cables outside the unit mechanically. Install the rubber grommets to the unused lead-through plate holes.

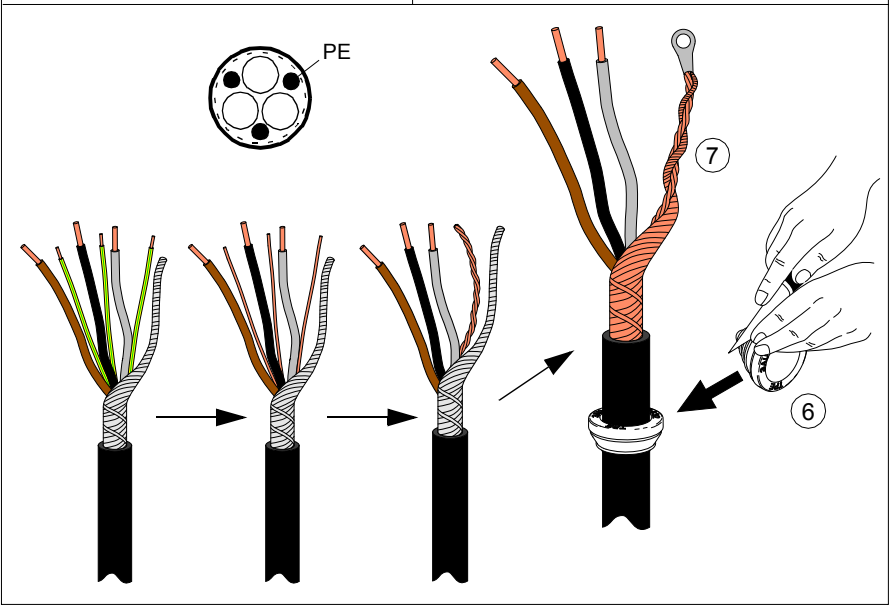
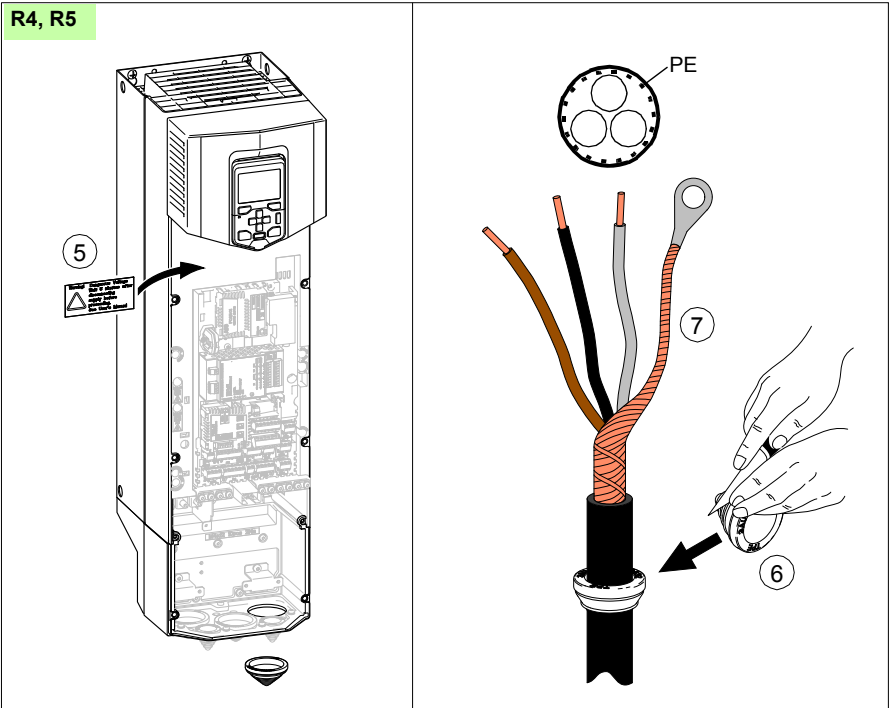
**Note for US cable conduit installation:** See the quick installation guide. In case of a cable lug installation, use UL listed cable lugs and tools to agree with UL requirements. See page [196](#).



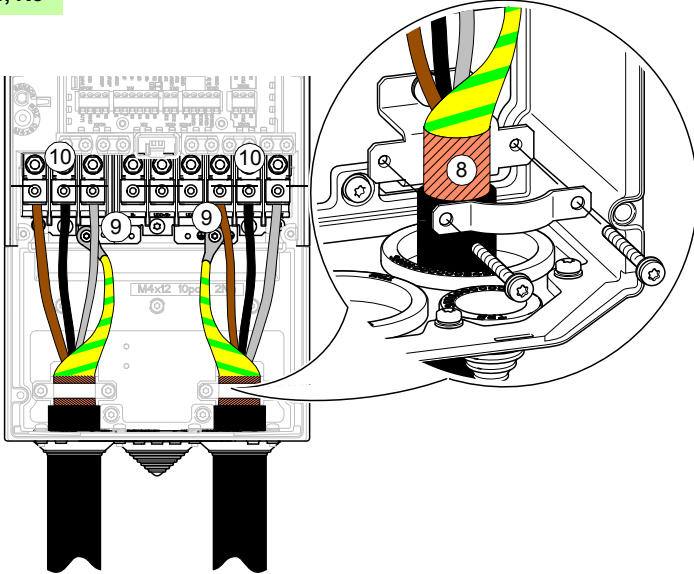
R4, R5




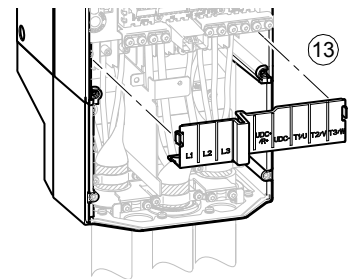
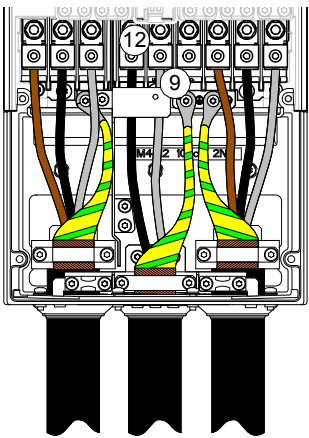
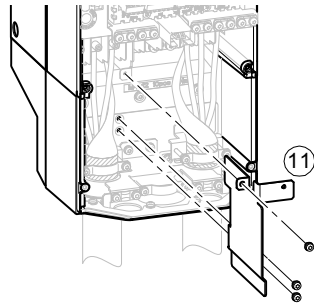
R4, R5



R4, R5



	L1, L2, L3, T1/U, T2/V, T3/W (N·m)	R-, R+/UDC+, UDC- (N·m)	 (N·m)
R4	3.3	3.3	2.9
R5	5.6	5.6	2.9



## ■ Connection procedure for frames R6 to R9

**Note:** For frames R6 to R9 with option +H358, see also *ACS880-01 +H358 UK gland plate frames R6 to R9 installation guide (3AXD50000034735 [English])*.

1. Remove the front cover: For IP21 drives: Release the retaining clip with a screwdriver (a) and pull the cover by the bottom outwards (b).
2. For IP21 drives: Remove the cable entry box cover by undoing the mounting screws.
3. Attach the residual voltage warning sticker in the local language next to the control unit.
4. Remove the side plates of the cable entry box by undoing the mounting screws.
5. Remove the shroud on the power cable terminals by releasing the clips on the sides with a screwdriver and lifting (a). Knock out holes for the cables to be installed (b).
6. If parallel cables are installed (frames R8 and R9): Knock out the shrouds on the power cable terminals for the cables to be installed.
7. Prepare the ends of the input power and motor cables as illustrated in the figure. **Note:** Bare shield will be grounded 360 degrees under the clamp.
8. Cut adequate holes into the rubber grommets (a). Slide the grommets onto the cables. Slide the cables through the holes of the bottom plate and attach the grommets to the holes (b).
9. Tighten the clamp onto the stripped part of the cable. Mind the sharp edges.
10. Fasten the twisted shields of the cables under the grounding clamps.
11. Connect the phase conductors of the input cable to the L1, L2 and L3 terminals and the phase conductors of the motor cable to the T1/U, T2/V and T3/W terminals. Tighten the screws to the torque given in the figure.



**Note 1 for frames R8 and R9:** if you put only one conductor to the connector, we recommend that you put it under the upper pressure plate.

**Note 2 for frames R8 and R9:** We do not recommend that you detach the connectors. If you do, detach and reinstall the connector as follows.

### L1, L2 and L3 terminals

- Remove the combi screw that attaches the connector to its terminal post, and pull the connector off.
- Put the conductor under the connector pressure plate and pretighten the conductor.
- Put the connector back onto the terminal post. Start the combi screw, and turn it at least two rotations by hand.



**WARNING!** Before using tools, make sure that the nut/screw is not cross-threading. Cross-threading will damage the drive and cause danger.

---

- Tighten the combi screw to a torque of 30 N·m.
- Tighten the conductor(s) to 40 N·m for frame R8 or to 70 N·m for frame R9.

T1/U, T2/V and T3/W terminals

- Remove the nut that attaches the connector to its busbar.
  - Put the conductor under the connector pressure plate and pretighten the conductor.
  - Put the connector back to its busbar. Start the nut, and turn it at least two rotations by hand.
- 



**WARNING!** Before using tools, make sure that the nut/screw is not cross-threading. Cross-threading will damage the drive and cause danger.

---

- Tighten the nut to a torque of 30 N·m.
- Tighten the conductor(s) to 40 N·m for frame R8 or to 70 N·m for frame R9.

**Note for cable lug installation (frames R6 to R9):** Detach the connector and install a cable lug to the terminal post / busbar as follows:

- Remove the combi screw that attaches the connector to its terminal post / busbar, and pull the connector off.
  - Attach the cable lug to the conductor.
  - Put the cable lug onto the terminal post / busbar. Start the nut, and turn it at least two rotations by hand.
- 



**WARNING!** Before using tools, make sure that the nut/screw is not cross-threading. Cross-threading will damage the drive and cause danger.

---

- Tighten the nut to a torque of 16 N·m (frames R6 and R7) and to a torque of 30 N·m (frames R8 and R9).

12. Units with option +D150: Connect the brake resistor cable conductors to the R+ and R- terminals.
  13. If parallel cables are installed (frames R8 and R9), install the grounding shelves for them. Repeat steps 8 to 12.
  14. Reinstall the shroud on the power terminals.
  15. Reinstall the side plates of the cable entry box.
  16. Install the control cable grounding shelf in the cable entry box.
-

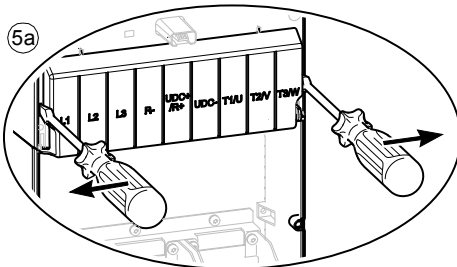
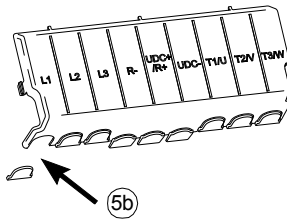
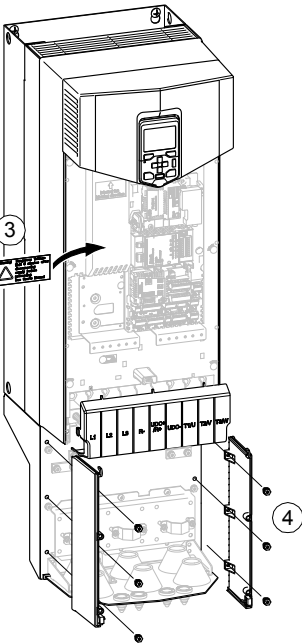
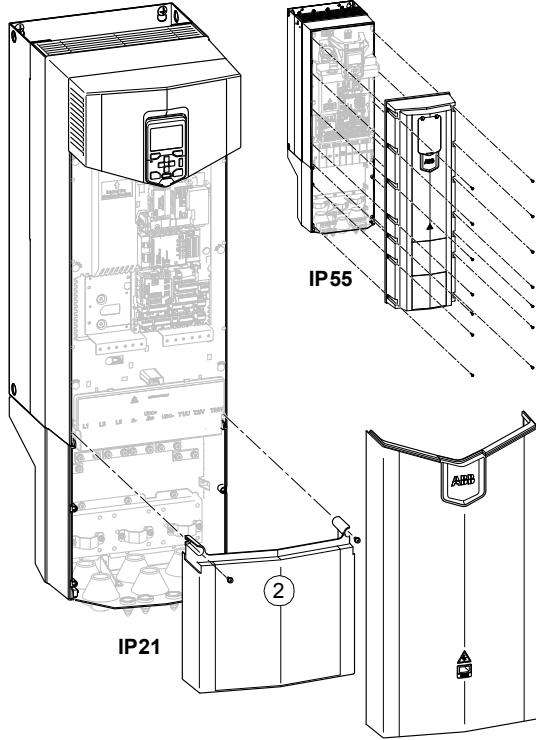
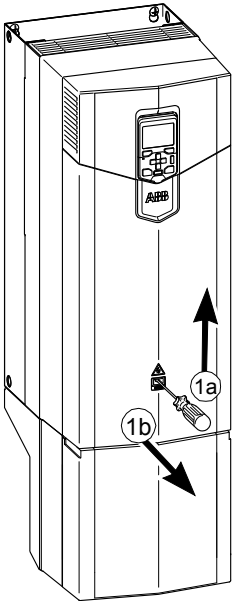


17. Secure the cables outside the unit mechanically. Install the rubber grommets to the unused lead-through plate holes.

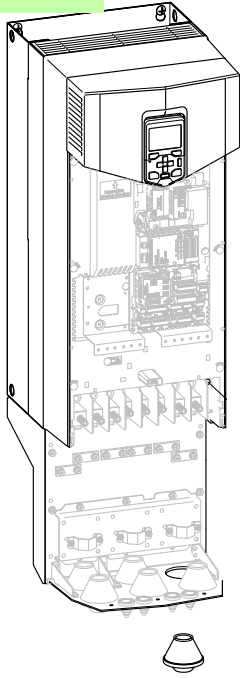
**Note for US cable conduit installation:** See the quick installation guide. In case of a cable lug installation, use UL listed cable lugs and tools to agree with UL requirements. See page [196](#).



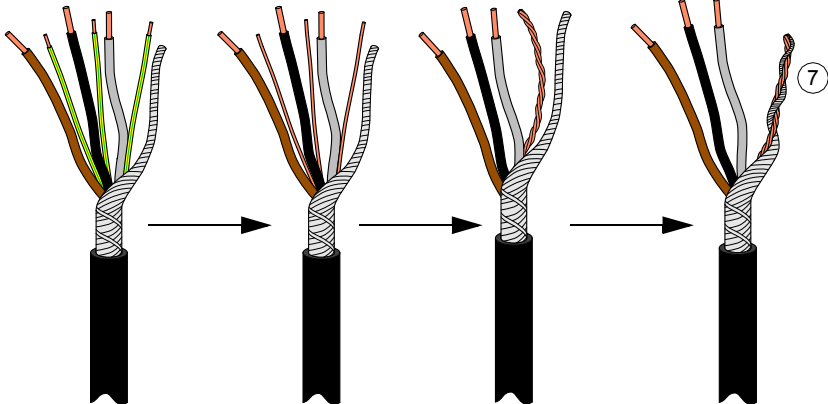
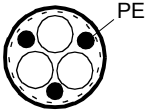
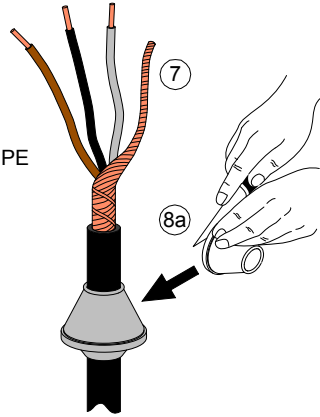
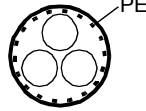
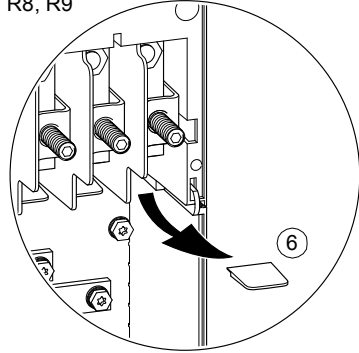
R6 ... R9



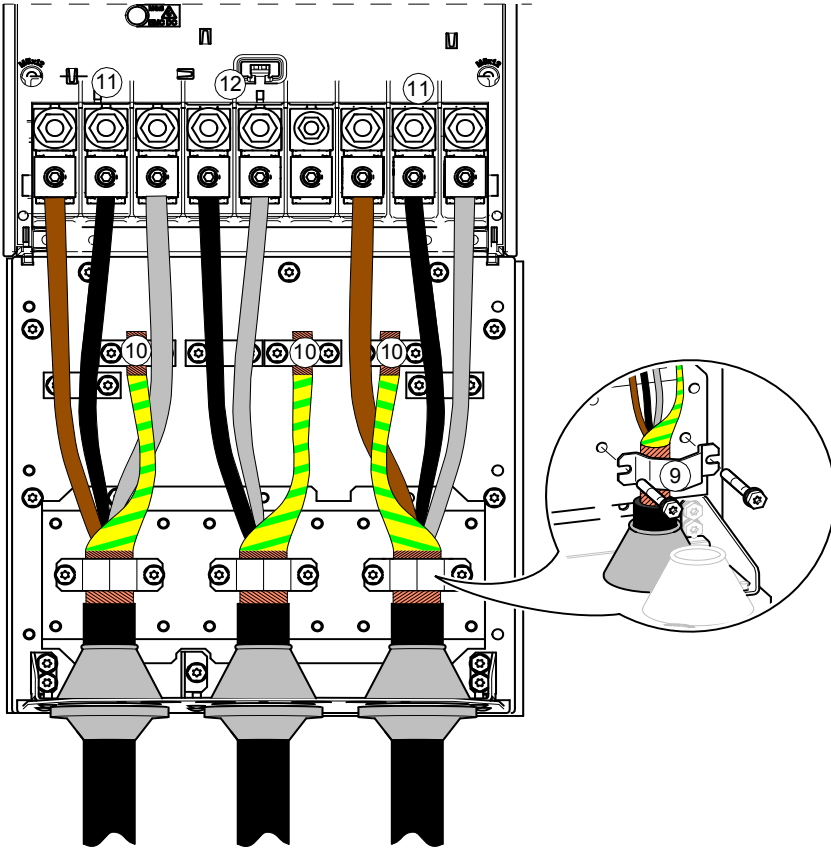
R6 ... R9




R8, R9



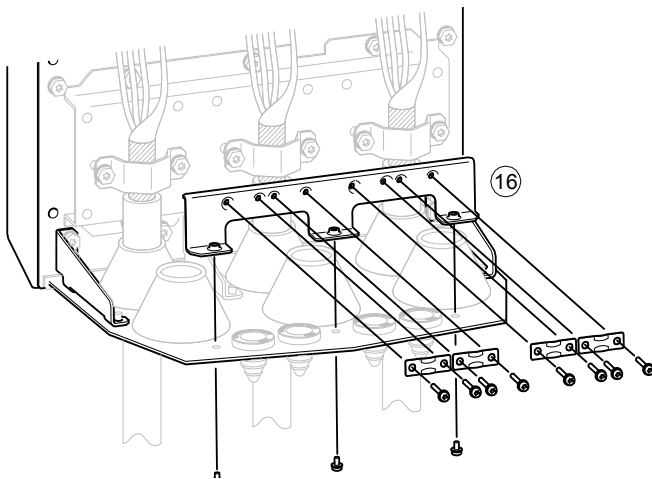
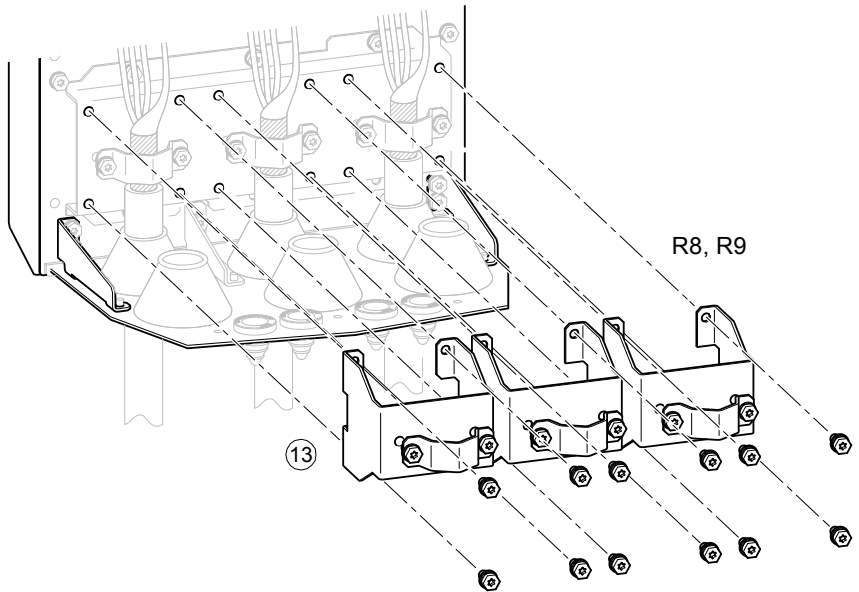
R6 ... R9



Frame	L1, L2, L3, T1/U, T2/V, T3/W		R-, R+/UDC+, UDC-		
	T (Wire screw)		T (Wire screw)		T
	M...	N·m	M...	N·m	N·m
R6	M10	30	M8	20	9.8
R7	M10	40 (30*)	M10	30	9.8
R8	M10	40	M10	40	9.8
R9	M12	70	M12	70	9.8

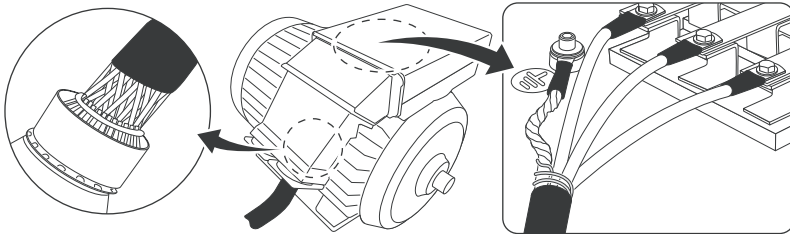
\* for 525...690 V drives

R6 ... R9



## ■ Grounding the motor cable shield at the motor end

Always ground the motor cable shield at the motor end. For minimum radio frequency interference, ground the motor cable shield 360 degrees at the lead-through of the motor terminal box.



## DC connection

The UDC+ and UDC- terminals are intended for common DC configurations of a number of drives, allowing regenerative energy from one drive to be utilized by the other drives in motoring mode. Contact your local ABB representative for further instructions.

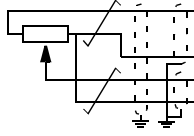
## Connecting the control cables

See section [Default I/O connection diagram](#) below for the default I/O connections of the Factory macro of ACS880 primary control program. For other macros and control programs, see the firmware manual. Connect the cables as described under [Control cable connection procedure](#) on page 116.



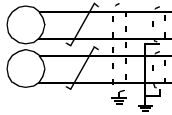
**Default I/O connection diagram**

Wire sizes:  
0.5 ... 2.5 mm<sup>2</sup>  
(24...12 AWG)  
Tightening  
torques: 0.5 N·m  
(5 lbf·in) for both  
stranded and  
solid wiring.



<b>XPOW</b> External power input		
<b>1</b>	+24VI	24 V DC, 2 A
<b>2</b>	GND	

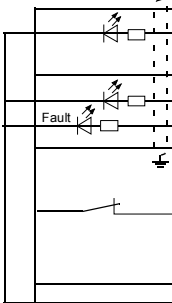
<b>XAI</b> Reference voltage and analog inputs		
<b>1</b>	+VREF	10 V DC, $R_i$ 1...10 kohm
<b>2</b>	-VREF	-10 V DC, $R_i$ 1...10 kohm
<b>3</b>	AGND	Ground
<b>4</b>	AI1+	<b>Speed reference</b> 0(2)...10 V, $R_{in}$ > 200 kohm <sup>1)</sup>
<b>5</b>	AI1-	
<b>6</b>	AI2+	By default not in use. 0(4)...20 mA, $R_{in}$ = 100 ohm <sup>2)</sup>
<b>7</b>	AI2-	
J1	J1	AI1 current/voltage selection jumper
J2	J2	AI2 current/voltage selection jumper



<b>XAO</b> Analog outputs		
<b>1</b>	AO1	<b>Motor speed rpm</b> 0...20 mA, $R_L$ < 500 ohm
<b>2</b>	AGND	
<b>3</b>	AO2	<b>Motor current</b> 0...20 mA, $R_L$ < 500 ohm
<b>4</b>	AGND	

<b>XD2D</b> Drive-to-drive link		
<b>1</b>	B	Drive-to-drive link
<b>2</b>	A	
<b>3</b>	BGND	
J3	J3	Drive-to-drive link termination switch

<b>XRO1, XRO2, XRO3</b> Relay outputs		
<b>11</b>	NC	<b>Ready</b> 250 V AC / 30 V DC 2 A
<b>12</b>	COM	
<b>13</b>	NO	<b>Running</b> 250 V AC / 30 V DC 2 A
<b>21</b>	NC	
<b>22</b>	COM	<b>Faulted(-1)</b> 250 V AC / 30 V DC 2 A
<b>23</b>	NO	
<b>31</b>	NC	
<b>32</b>	COM	
<b>33</b>	NO	

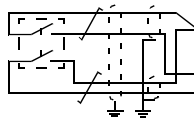


<b>XD24</b> Digital interlock		
<b>1</b>	DIIL	Run enable
<b>2</b>	+24VD	+24 V DC 200 mA <sup>3)</sup>
<b>3</b>	DICOM	Digital input ground
<b>4</b>	+24VD	+24 V DC 200 mA <sup>3)</sup>
<b>5</b>	DIOGND	Digital input/output ground
J6	Ground selection switch	

<b>XDIO</b> Digital input/outputs		
<b>1</b>	DIO1	Output: Ready
<b>2</b>	DIO2	Output: Running

<b>XDI</b> Digital inputs		
<b>1</b>	DI1	Stop (0) / Start (1)
<b>2</b>	DI2	Forward (0) / Reverse (1)
<b>3</b>	DI3	Reset
<b>4</b>	DI4	Acceleration & deceleration select <sup>4)</sup>
<b>5</b>	DI5	Constant speed 1 (1 = On)
<b>6</b>	DI6	By default not in use.

<b>XSTO</b> Safe torque off		
<b>1</b>	OUT1	Safe torque off. Both circuits must be closed for the drive to start.
<b>2</b>	SGND	
<b>3</b>	IN1	
<b>4</b>	IN2	



<b>X12</b> Safety functions module connection		
<b>X13</b> Control panel connection		
<b>X205</b> Memory unit connection		

See the next page for the notes.




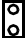
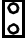
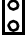




**Notes:**

- 1) Current [0(4)...20 mA,  $R_{in} = 100 \text{ ohm}$ ] or voltage [ 0(2)...10 V,  $R_{in} > 200 \text{ kohm}$ ] input selected with jumper J1. Change of setting requires reboot of control unit.
- 2) Current [0(4)...20 mA,  $R_{in} = 100 \text{ ohm}$ ] or voltage [ 0(2)...10 V,  $R_{in} > 200 \text{ kohm}$ ] input selected with jumper J2. Change of setting requires reboot of control unit.
- 3) Total load capacity of these outputs is 4.8 W (200 mA / 24 V) minus the power taken by DIO1 and DIO2.
- 4) 0 = open, 1 = closed

D14	Ramp times according to
0	Parameters 23.12 and 23.13
1	Parameters 23.14 and 23.15

Further information on the usage of the connectors and jumpers is given in the sections below. See also section [Control unit \(ZCU-12\) connection data](#) on page 198.

**Jumpers and switches**

Jumper/Switch	Description	Positions
<b>J1 (AI1)</b>	Determines whether analog input AI1 is used as a current or voltage input.	 Current (I) ○ ○
		○ Voltage (U) ○ 
<b>J2 (AI2)</b>	Determines whether analog input AI2 is used as a current or voltage input.	 Current (I) ○ ○
		○ Voltage (U) ○ 
<b>J3</b>	Drive-to-drive link termination. Must be set to terminated position when the drive is the last unit on the link.	 Bus is terminated.
		 Bus is not terminated.
<b>J6</b>	Common digital input ground selection switch. Determines whether DICOM is separated from DIOGND (ie, common reference for digital inputs floats). See <a href="#">Ground isolation diagram</a> on page 201.	 DICOM and DIOGND connected (default).
		 DICOM and DIOGND separated.





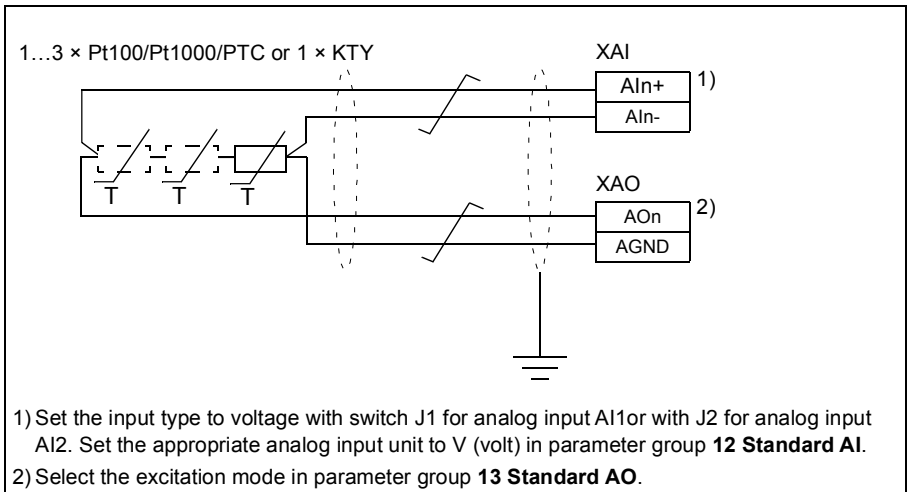
### External power supply for the control unit (XPOW)


External +24 V (2 A) power supply for the control unit can be connected to terminal block XPOW. Using an external supply is recommended if

- the control board needs to be kept operational during input power breaks, for example, due to continuous fieldbus communication
- immediate restart is needed after power breaks (that is, no control board power up delay is allowed).

### AI1 and AI2 as Pt100, Pt1000, PTC and KTY84 sensor inputs (XAI, XAO)

Three Pt100, Pt1000 and PTC sensors or one KTY84 sensor for motor temperature measurement can be connected between an analog input and output as shown below. Leave the other end of the shield unconnected or ground it indirectly via a few nanofarads high-frequency capacitor, for example, 3.3 nF / 630 V. The shield can also be grounded directly at both ends if they are in the same ground line with no significant voltage drop between the end points.



 **WARNING!** As the inputs pictured above are not insulated according to IEC 60664, the connection of the motor temperature sensor requires double or reinforced insulation between motor live parts and the sensor. If the assembly does not fulfill the requirement, the I/O board terminals must be protected against contact and must not be connected to other equipment or the temperature sensor must be isolated from the I/O terminals.

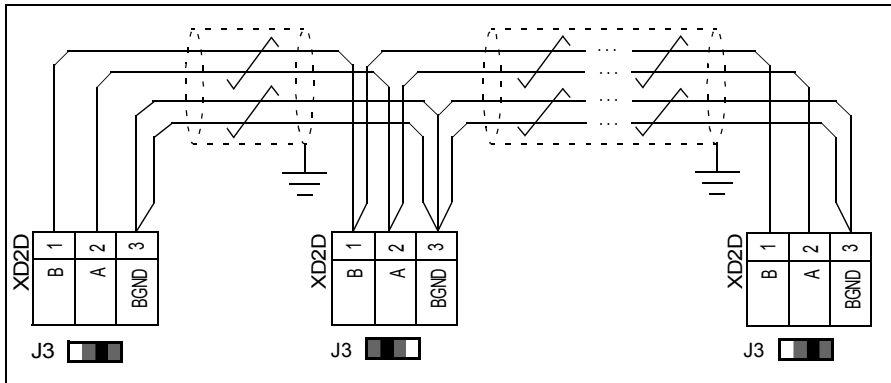
### Drive-to-drive link (XD2D)

The drive-to-drive link is a daisy-chained RS-485 transmission line that allows basic master/follower communication with one master drive and multiple followers.

Set termination activation jumper J3 (see section [Jumpers and switches](#) above) next to this terminal block to the ON position on the drives at the ends of the drive-to-drive link. On intermediate drives, set the jumper to the OFF position.

Use shielded twisted-pair cable (~100 ohm, for example, PROFIBUS-compatible cable) for the wiring. For best immunity, high quality cable is recommended. Keep the cable as short as possible; the maximum length of the link is 50 meters (164 ft). Avoid unnecessary loops and running the cable near power cables (such as motor cables).

The following diagram shows the wiring of the drive-to-drive link.

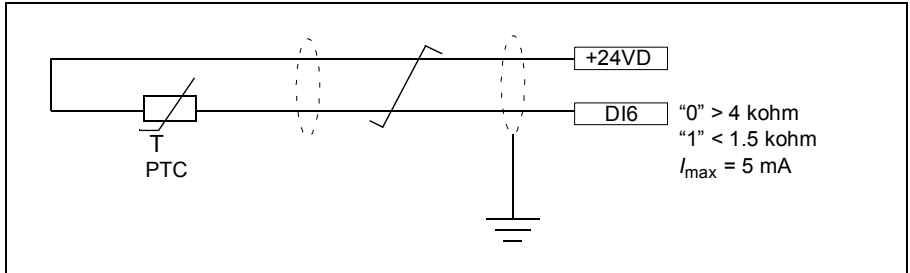


### DIIL input (XD24:1)

The DIIL input can be selected as the source of, for example, an emergency stop command or an external event. See the firmware manual for more information.

## DI6 (XDI:6) as PTC sensor input

A PTC sensor can be connected to this input for motor temperature measurement as follows. The sensor resistance must not exceed the threshold resistance of the digital input at the motor normal operating temperature. Do not connect both ends of the cable shield directly to ground. Leave the other end of the shield unconnected or ground it indirectly via a few nanofarads high-frequency capacitor, for example, 3.3 nF / 630 V. The shield can also be grounded directly at both ends if they are in the same ground line with no significant voltage drop between the end points. See the firmware manual for parameter settings.



**WARNING!** As the inputs pictured above are not insulated according to IEC 60664, the connection of the motor temperature sensor requires double or reinforced insulation between motor live parts and the sensor. If the assembly does not fulfill the requirement, the I/O board terminals must be protected against contact and must not be connected to other equipment or the temperature sensor must be isolated from the I/O terminals.

## Safe torque off (XSTO)

For the drive to start, both connections (OUT1 to IN1 and IN2) must be closed. By default, the terminal block has jumpers to close the circuit. Remove the jumpers before connecting an external Safe torque off circuitry to the drive. See page [235](#).



## Safety functions module connection (X12)

See section [Implementing the safety functions with the FSO module](#) on page [83](#), and *FSO-12 safety functions module user's manual* (3AXD50000015612 [English]) or *FSO-21 safety functions module user's manual* (3AXD50000015614 [English]).

## ■ Control cable connection procedure



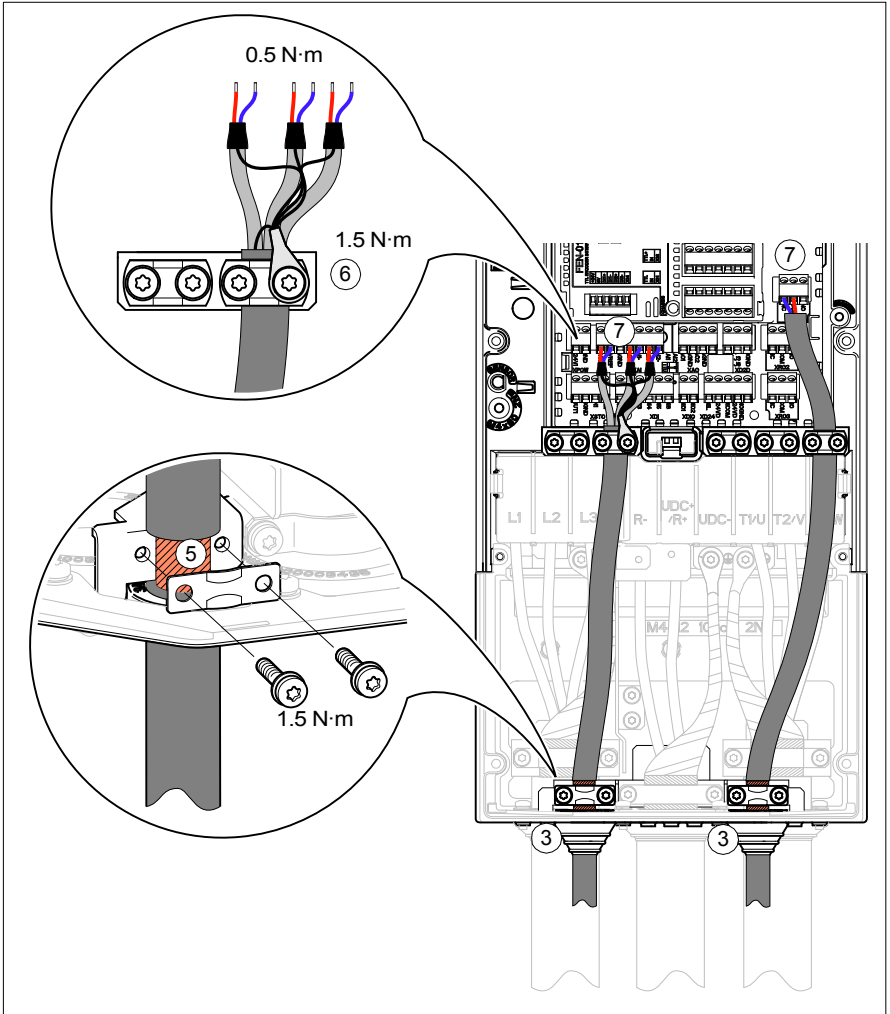
**WARNING!** Follow the safety instructions, page 14. Ignoring the instructions can cause physical injury or death, or damage to the equipment.

1. Disconnect the drive from the power line. Lock the main disconnecting device and ensure by measuring that there is no voltage.
2. Remove the front cover(s). See section [Connecting the power cables](#) starting from page 94.
3. Cut adequate holes into the rubber grommets and slide the grommets onto the cables. Slide the cables through the holes of the bottom plate and attach the grommets to the holes.
4. Route the cables as shown on page 117.
5. Ground the outer shields of all control cables 360 degrees at a grounding clamp in the cable entry box, see page 117. Tighten the clamp to 1.5 N·m (13 lbf·in). Keep the shields continuous as close to the terminals of the control unit as possible. Secure the cables mechanically at the clamps below the control unit. [Frames R1 to R3](#): Ground also the pair-cable shields and grounding wires at the cable entry box grounding clamp.
6. [Frames R4 to R9](#): Ground the pair-cable shields and all grounding wires to the clamp below the control unit, see page 117.
7. Connect the conductors to the appropriate terminals (see page 111) of the control unit and tighten to 0.5 N·m (5 lbf·in).
8. For connecting the fieldbus cables, see appropriate quick installation guide:

ACS880-01 quick installation guide for frames R1 to R3	3AUA0000085966
ACS880-01 quick installation guide for frames R4 and R5	3AUA0000099663
ACS880-01 quick installation guide for frames R6 to R9	3AUA0000099689

### Note:

- Leave the other ends of the control cable shields unconnected or ground them indirectly via a high-frequency capacitor with a few nanofarads, eg, 3.3 nF / 630 V. The shield can also be grounded directly at both ends if they are *in the same ground line* with no significant voltage drop between the end points.
- Keep any signal wire pairs twisted as close to the terminals as possible. Twisting the wire with its return wire reduces disturbances caused by inductive coupling.



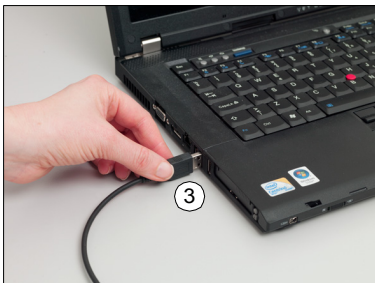
## Connecting a PC



**WARNING!** Do not connect the PC directly to the control panel connector of the control unit as this can cause damage.

Connect a PC to the drive with an USB data cable (USB Type A <-> USB Type Mini-B) as follows:

1. Lift the USB connector cover from bottom upwards.
2. Insert the USB cable Mini-B plug in the control panel USB connector.
3. Insert the USB cable A-plug in the USB connector of the PC. -> The panel displays: USB connected.



## Controlling several drives through panel bus

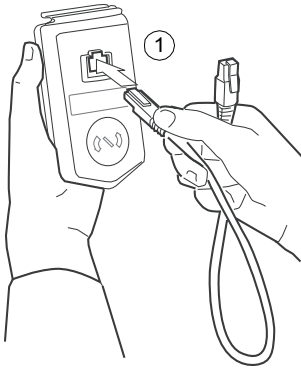
One control panel (or PC) can be used to control several drives by constructing a panel bus.

1. Connect the panel to one drive using an Ethernet (eg. CAT5E) cable.  
**Note for IP55 (UL Type 12) drives:** Remove the front cover and put the cables through the control cable lead-throughs.
  - Use **Menu – Settings – Edit texts – Drive** to give a descriptive name to the drive.
  - Use parameter **49.01** to assign the drive with a unique node ID number.
  - Set other parameters in group **49** if necessary.
  - Use parameter **49.06** to validate any changes.

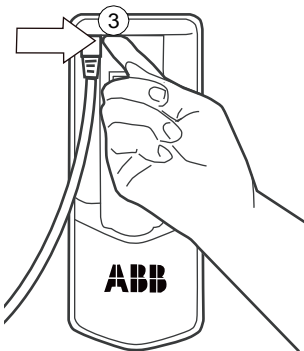
Repeat the above for each drive.

2. With the panel connected to one drive, link the drives together using Ethernet cables. (Each panel platform has two connectors.)
3. In the last drive, switch bus termination on. With a panel platform, move the terminating switch into the outer position. Termination should be off on all other units.
4. On the control panel, switch on the panel bus functionality (**Options – Select drive – Panel bus**). The unit to be controlled can now be selected from the list under **Options – Select drive**.
5. If a PC is connected to the control panel, the drives on the panel bus are automatically displayed in the Drive composer tool.
6. For IP55 (UL Type 12) drives, Install the front cover.

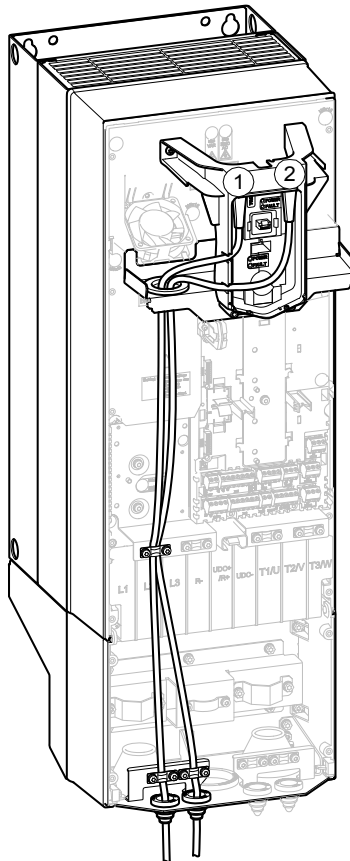




IP21 (UL Type 1)



IP55 (UL Type 12)





## Installing optional modules

**Note:** In frames R1 and R2, 90° connector cannot be used in Slot 1. In other frames, there is 50 to 55 mm free space for the connector and its cable available on Slots 1, 2 and 3.

### ■ Mechanical installation of I/O extension, fieldbus adapter and pulse encoder interface modules

See page 32 for the available slots for each module. Install the optional modules as follows:

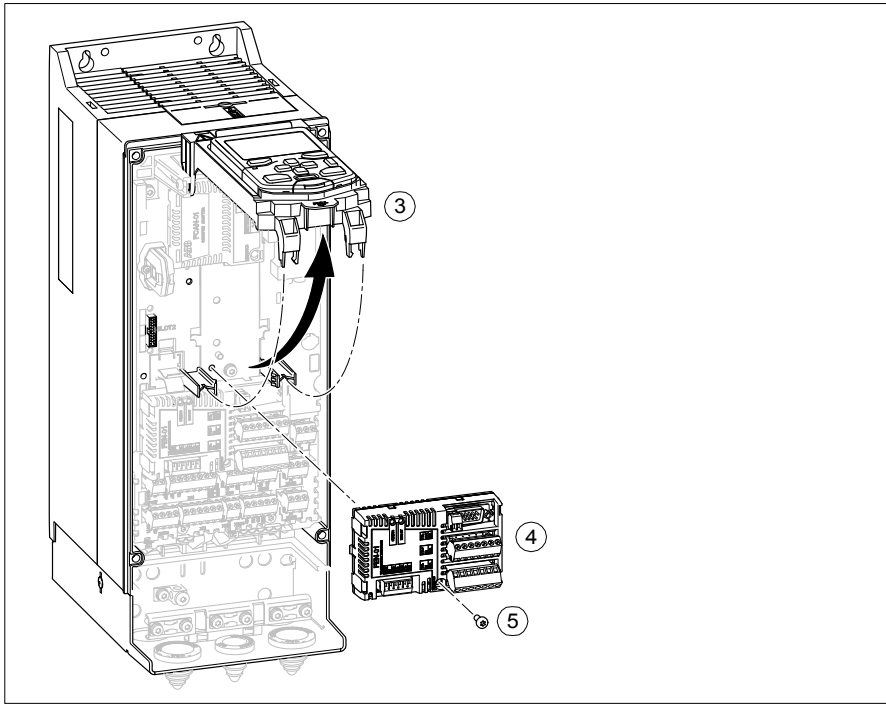


**WARNING!** Follow the safety instructions, page 14. Ignoring the instructions can cause physical injury or death, or damage to the equipment.

---

1. Disconnect the drive from the power line. Lock the main disconnecting device and ensure by measuring that there is no voltage.
2. Remove the front cover (see the section [Connecting the power cables](#) starting from page 94).
3. Frames R1 to R3: Pull the control panel mounting platform upwards to gain access to the optional module slots.
4. Insert the module carefully into its position on the control unit.
5. Tighten the mounting screw torque of 0.8 N·m. **Note:** The screw tightens the connections and grounds the module. It is essential for fulfilling the EMC requirements and for proper operation of the module.





■ **Wiring I/O extension, fieldbus adapter and pulse encoder interface modules**



See the appropriate optional module manual for specific installation and wiring instructions. See page [117](#) for the routing of the cables.

## ■ Installation of safety functions modules

The safety functions module can be mounted onto Slot 2 on the control unit or, in frames R7 to R9, also next to the control unit.

### Installation procedure into Slot 2

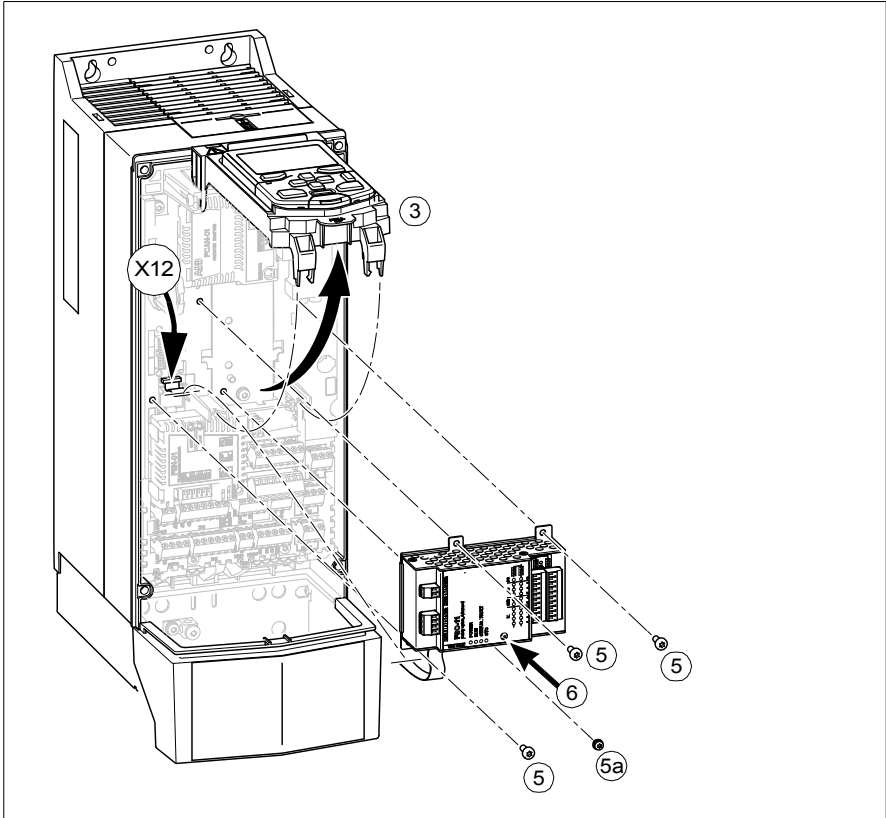


**WARNING!** Follow the safety instructions, page 14. Ignoring the instructions can cause physical injury or death, or damage to the equipment.

---

1. Disconnect the drive from the power line. Lock the main disconnecting device and ensure by measuring that there is no voltage.
2. Remove the front cover (see the section [Connecting the power cables](#) on page 94).
3. [Frames R1 to R3](#): Pull the control panel mounting platform upwards to gain access to the optional module slots.
4. Insert the module carefully into its position on the control unit.
5. Attach the module with four screws. **Note:** The grounding screw (a) is essential for fulfilling the EMC requirements and for proper operation of the module.
6. Tighten the grounding screw of the electronics to 0.8 N·m.
7. Connect the data communication cable to slot X110 on the module and to connector X12 on the drive control unit.
8. Connect the Safe torque off wires to connector X111 on the module and to connector XSTO on the drive module control unit as shown in section [Wiring](#) on page 236.
9. Connect the external +24 V power supply cable to connector X112.
10. Connect the other wires as shown in *FSO-12 safety functions module user's manual* (3AXD50000015612 [English]) or in *FSO-21 safety functions module user's manual* (3AXD50000015614 [English]).





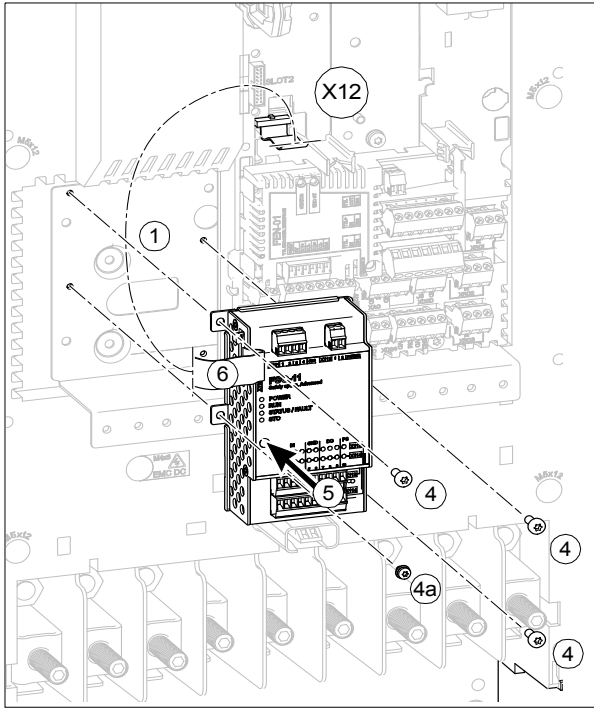
**Installation next to the control unit on frames R7 to R9**

**WARNING!** Follow the safety instructions, page [14](#). Ignoring the instructions can cause physical injury or death, or damage to the equipment.

---

1. Disconnect the drive from the power line. Lock the main disconnecting device and ensure by measuring that there is no voltage.
2. Remove the front cover (see page [106](#)).
3. Insert the module carefully into its position.
4. Attach the module with four screws. **Note:** Correct installation of the grounding screw (a) is essential for fulfilling the EMC requirements and for proper operation of the module.
5. Tighten the grounding screw of the electronics to 0.8 N·m.
6. Connect the data communication cable to slot X110 on the module and to connector X12 on the drive control unit.
7. Connect the Safe torque off wires to connector X111 on the module and to connector XSTO on the drive module control unit as shown in section [Wiring](#) on page [236](#).
8. Connect the external +24 V power supply cable to connector X112.
9. Connect the other wires as shown in *FSO-12 safety functions module user's manual* (3AXD50000015612 [English]) or in *FSO-21 safety functions module user's manual* (3AXD50000015614 [English]).





## 7

# Installation checklist

---

## What this chapter contains

This chapter contains a list for checking the mechanical and electrical installation of the drive.

## Checklist

Check the mechanical and electrical installation of the drive before start-up. Go through the checklist together with another person.



**WARNING!** Only qualified electricians are allowed to carry out the work described below. Follow the complete safety instructions of the drive. Ignoring the safety instructions can cause injury or death. Open the main disconnector of the drive and lock it to open position. Measure to ensure that the drive is not powered.

---

<input checked="" type="checkbox"/>	Check that ...
<input type="checkbox"/>	The ambient operating conditions meet the specification in chapter <a href="#">Technical data</a> .
<input type="checkbox"/>	<u>If the drive will be connected to an IT (ungrounded) supply network:</u> Optional EMC filters of type +E200 and +E202 have been disconnected. Consult ABB for the instructions.
<input type="checkbox"/>	<u>If the drive has been stored over one year:</u> The electrolytic DC capacitors in the DC link of the drive have been reformed. See page <a href="#">146</a>
<input type="checkbox"/>	There is an adequately sized protective earth (ground) conductor between the drive and the switchboard.

---

<input checked="" type="checkbox"/>	<b>Check that ...</b>
<input type="checkbox"/>	There is an adequately sized protective earth (ground) conductor between the motor and the drive.
<input type="checkbox"/>	All protective earth (ground) conductors have been connected to the appropriate terminals and the terminals have been tightened (pull conductors to check).
<input type="checkbox"/>	The supply voltage matches the nominal input voltage of the drive. Check the type designation label.
<input type="checkbox"/>	The input power cable has been connected to appropriate terminals, the phase order is right, and the terminals have been tightened (pull conductors to check).
<input type="checkbox"/>	Appropriate supply fuses and disconnectors have been installed.
<input type="checkbox"/>	The motor cable has been connected to appropriate terminals, the phase order is right, and the terminals have been tightened (pull conductors to check).
<input type="checkbox"/>	The brake resistor cable (if present) has been connected to appropriate terminals, and the terminals have been tightened (pull conductors to check).
<input type="checkbox"/>	The motor cable (and brake resistor cable, if present) has been routed away from other cables.
<input type="checkbox"/>	No power factor compensation capacitors have been connected to the motor cable.
<input type="checkbox"/>	The control cables (if any) have been connected to the control unit.
<input type="checkbox"/>	<u>If a drive bypass connection will be used:</u> The direct-on-line contactor of the motor and the drive output contactor are either mechanically or electrically interlocked (cannot be closed simultaneously).
<input type="checkbox"/>	There are no tools, foreign objects or dust from drilling inside the drive.
<input type="checkbox"/>	Drive and motor connection box covers are in place.
<input type="checkbox"/>	The motor and the driven equipment are ready for start-up.

---





# Start-up

---

## What this chapter contains

This chapter describes the start-up procedure of the drive.

## Startup procedure

1. Run setup of the drive control program according to the start-up instructions given in *Quick start-up guide for ACS880 primary control program* or in the firmware manual.
  - For drives with resistor braking (option +D151): see also section [Start-up on page 253](#).
  - For drives with ABB sine filter: check that parameter **95.15 Special HW settings** is set to **ABB sine filter**. For other sine filters, see *Sine filter hardware manual* (3AXD50000016814 [English]).
  - For drives with ABB motors in explosive atmospheres, see also *ACS880 drives with ABB motors in explosive atmospheres* (3AXD50000019585 [English]).
2. Validate the Safe torque off function according to the instructions given in chapter [Safe Torque off function](#) on page 235.
3. Validate the safety functions (option +Q973 or +Q972) as described in *FSO-12 safety functions module user's manual* (3AXD50000015612 [English]) or in *FSO-21 safety functions module user's manual* (3AXD50000015614 [English]).





## 9

# Fault tracing

---

## What this chapter contains

This chapter describes the fault tracing possibilities of the drive.

## LEDs

Where	LED	Color	When the LED is lit
Control panel mounting platform	POWER	Green	Control unit is powered and +15 V is supplied to the control panel.
	FAULT	Red	Drive in fault state.

## Warning and fault messages

See the firmware manual for the descriptions, causes and remedies of the drive control program warning and fault messages.

---





# Maintenance

---

## What this chapter contains

This chapter contains preventive maintenance instructions.

## Maintenance intervals

The table below shows the maintenance tasks which can be done by the end user. The complete maintenance schedule is available on the Internet ([www.abb.com/drivesservices](http://www.abb.com/drivesservices)). For more information, consult your local ABB Service representative ([www.abb.com/searchchannels](http://www.abb.com/searchchannels)).

The maintenance and component replacement intervals are based on the assumption that the equipment is operated within the specified ratings and ambient conditions. ABB recommends annual drive inspections to ensure the highest reliability and optimum performance.

**Note:** Long term operation near the specified maximum ratings or ambient conditions may require shorter maintenance intervals for certain components. Consult your local ABB Service representative for additional maintenance recommendations.

---

## ■ Descriptions of symbols

Action	Description
I	Visual inspection and maintenance action if needed
P	Performance of on/off-site work (commissioning, tests, measurements or other work)
R	Replacement of component

## ■ Recommended annual maintenance actions by the user

ABB recommends these annual inspections to ensure the highest reliability and optimum performance.

Action	Target
P	Quality of supply voltage
I	Spare parts
P	DC circuit capacitor reforming, spare modules and spare capacitors
I	Tightness of terminals
I	Dustiness, corrosion or temperature
I	Heat sink cleaning

## ■ Recommended maintenance intervals after start-up

Component	Years from start-up							
	3	6	9	12	15	18	20	21
<b>Cooling</b>								
Main cooling fan (frames R1 to R9)			R			R		
Auxiliary cooling fan for circuit boards (frames R1 to R9)			R			R		
Auxiliary cooling fan IP55 (frames R8 and R9)			R			R		
<b>Aging</b>								
Battery for control panel and ZCU control unit			R			R		

4FPS10000239703

## Heatsink

The module heatsink fins pick up dust from the cooling air. The drive runs into overtemperature warnings and faults if the heatsink is not clean. When necessary, clean the heatsink as follows.



**WARNING!** Obey the safety instructions, page 14. Ignoring the instructions can cause physical injury or death, or damage to the equipment.



**WARNING!** Use a vacuum cleaner with antistatic hose and nozzle. Using a normal vacuum cleaner creates static discharges which can damage circuit boards.

---

1. Disconnect the drive from the power line. Lock the main disconnecting device and ensure by measuring that there is no voltage.
2. Remove the cooling fan(s). See section *Fans* below.
3. Blow clean compressed air (not humid or oily) from bottom to top and simultaneously use a vacuum cleaner at the air outlet to trap the dust. **Note:** If there is a risk of dust entering adjoining equipment, perform the cleaning in another room.
4. Refit the cooling fan.

## Fans

The lifespan of the cooling fans of the drive depend on the running time of the fan, ambient temperature and dust concentration. See the firmware manual for the actual signal which indicates the running time of the cooling fan.


Reset the running time signal after a fan replacement. Also, reset the maintenance counter, if used.

Replacement fans are available from ABB. Do not use other than ABB specified spare parts.

---

## ■ Replacing the main cooling fan of frames R1 to R3

---

 **WARNING!** Obey the safety instructions, page 14. Ignoring the instructions can cause physical injury or death, or damage to the equipment.

---

1. Disconnect the drive from the power line. Lock the main disconnecting device and ensure by measuring that there is no voltage.
2. Release the retaining clip by pushing with a flat screwdriver and turning to the right.
3. Lift the fan assembly up.
4. Install the new fan assembly in reverse order. Make sure that the fan blows upwards.
5. Reset the counter (if used) in group 5 in the primary control program.



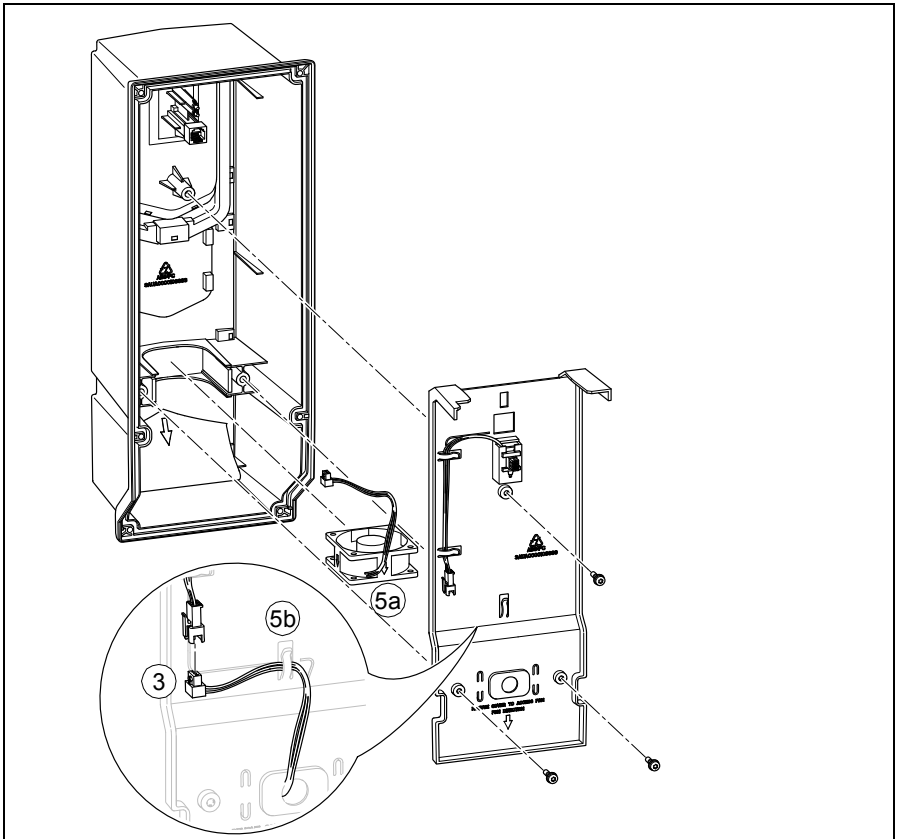


## ■ Replacing the auxiliary cooling fan of IP55 frames R1 to R3




**WARNING!** Obey the safety instructions, page 14. Ignoring the instructions can cause physical injury or death, or damage to the equipment.

1. Disconnect the drive from the power line. Lock the main disconnecting device and ensure by measuring that there is no voltage.
2. Remove the front cover by undoing the mounting screws at the sides.
3. Unplug the fan power supply wires.
4. Lift the fan off.
5. Install the new fan in reverse order. Make sure that the arrow (a) on the fan points down. **Note:** Bundle the wires under the clip (b) otherwise the cover will not fit properly.



## ■ Replacing the main cooling fan of frames R4 and R5

---

 **WARNING!** Obey the safety instructions, page 14. Ignoring the instructions can cause physical injury or death, or damage to the equipment.

---

1. Disconnect the drive from the power line. Lock the main disconnecting device and ensure by measuring that there is no voltage.
2. Lift the fan mounting plate up from the front edge.
3. Unplug the power supply wires.
4. Lift the fan assembly off.
5. Install the new fan assembly in reverse order. Make sure that the fan blows upwards.
6. Reset the counter (if used) in group 5 in the primary control program.

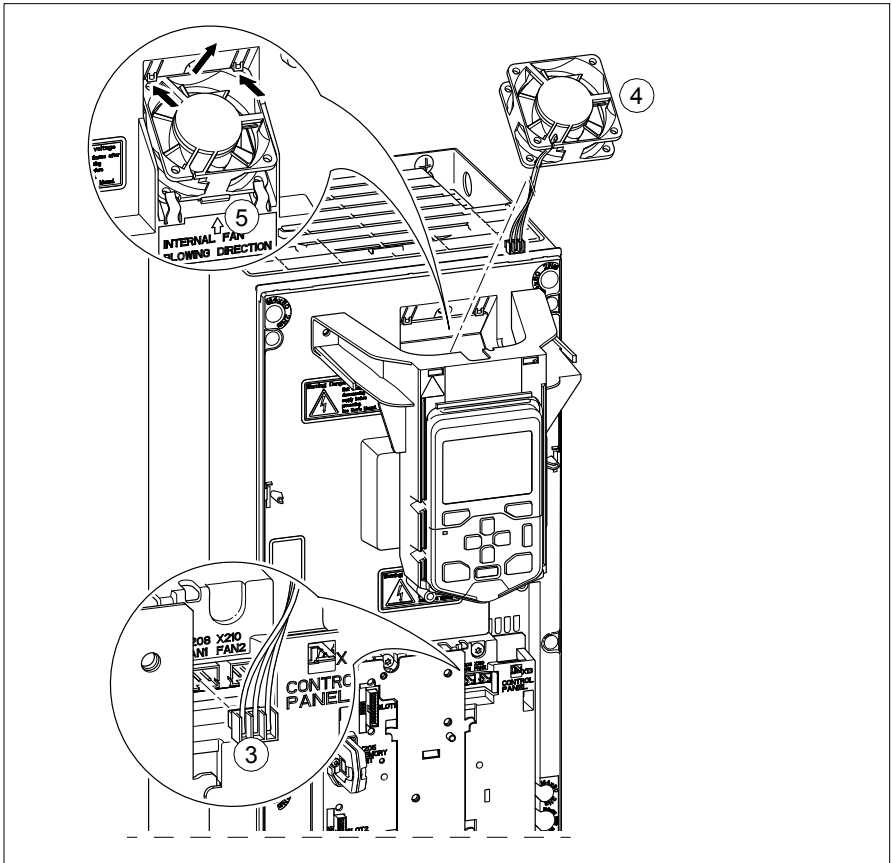


■ Replacing the auxiliary cooling fan of frames R4 and R5 (IP55 and option +C135) and IP21 frame R5 types ACS880-01-xxxx-7



**WARNING!** Obey the safety instructions, page 14. Ignoring the instructions can cause physical injury or death, or damage to the equipment.

1. Disconnect the drive from the power line. Lock the main disconnecting device and ensure by measuring that there is no voltage.
2. Remove the front cover. See page 100.
3. Unplug the fan power supply wires.
4. Lift the fan up.
5. Install the new fan in reverse order. Make sure that the arrow in the fan points to the direction marked on the drive frame.



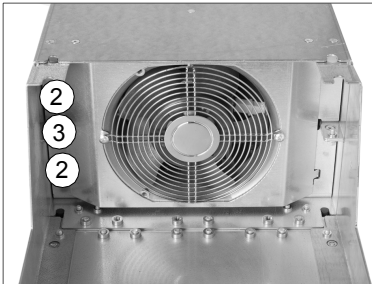
## ■ Replacing the main cooling fan of frames R6 to R8



**WARNING!** Obey the safety instructions, page 14. Ignoring the instructions can cause physical injury or death, or damage to the equipment.

---

1. Disconnect the drive from the power line. Lock the main disconnecting device and ensure by measuring that there is no voltage.
2. Undo the mounting screws of the fan mounting plate (view from bottom below).
3. Pull the fan mounting plate down from the side edge.
4. Unplug the power supply wires.
5. Lift the fan mounting plate off.
6. Remove the fan from the mounting plate.
7. Install the new fan in reverse order. Make sure that the fan blows upwards.
8. Reset the counter (if used) in group 5 in the primary control program.

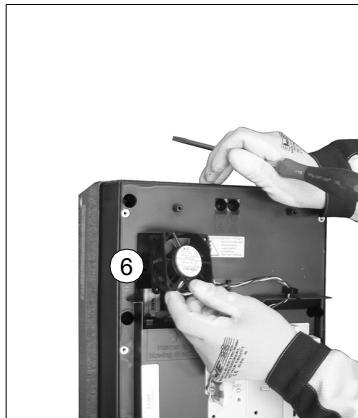
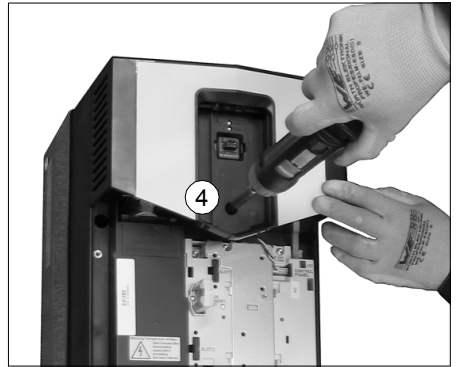


## ■ Replacing the auxiliary cooling fan of frames R6 to R9



**WARNING!** Obey the safety instructions, page 14. Ignoring the instructions can cause physical injury or death, or damage to the equipment.

1. Disconnect the drive from the power line. Lock the main disconnecting device and ensure by measuring that there is no voltage.
2. Remove the lower front cover (see page 103).
3. Unplug the control panel power supply wires from the control unit terminal X13 and the auxiliary cooling fan power supply wires from the terminal X208:FAN2.
4. Remove the upper front cover.
5. Release the retaining clips.
6. Lift the fan up.
7. Install the new fan in reverse order. Make sure that the arrow on the fan points up.



## ■ Replacing the IP55 auxiliary cooling fan of frames R8 and R9

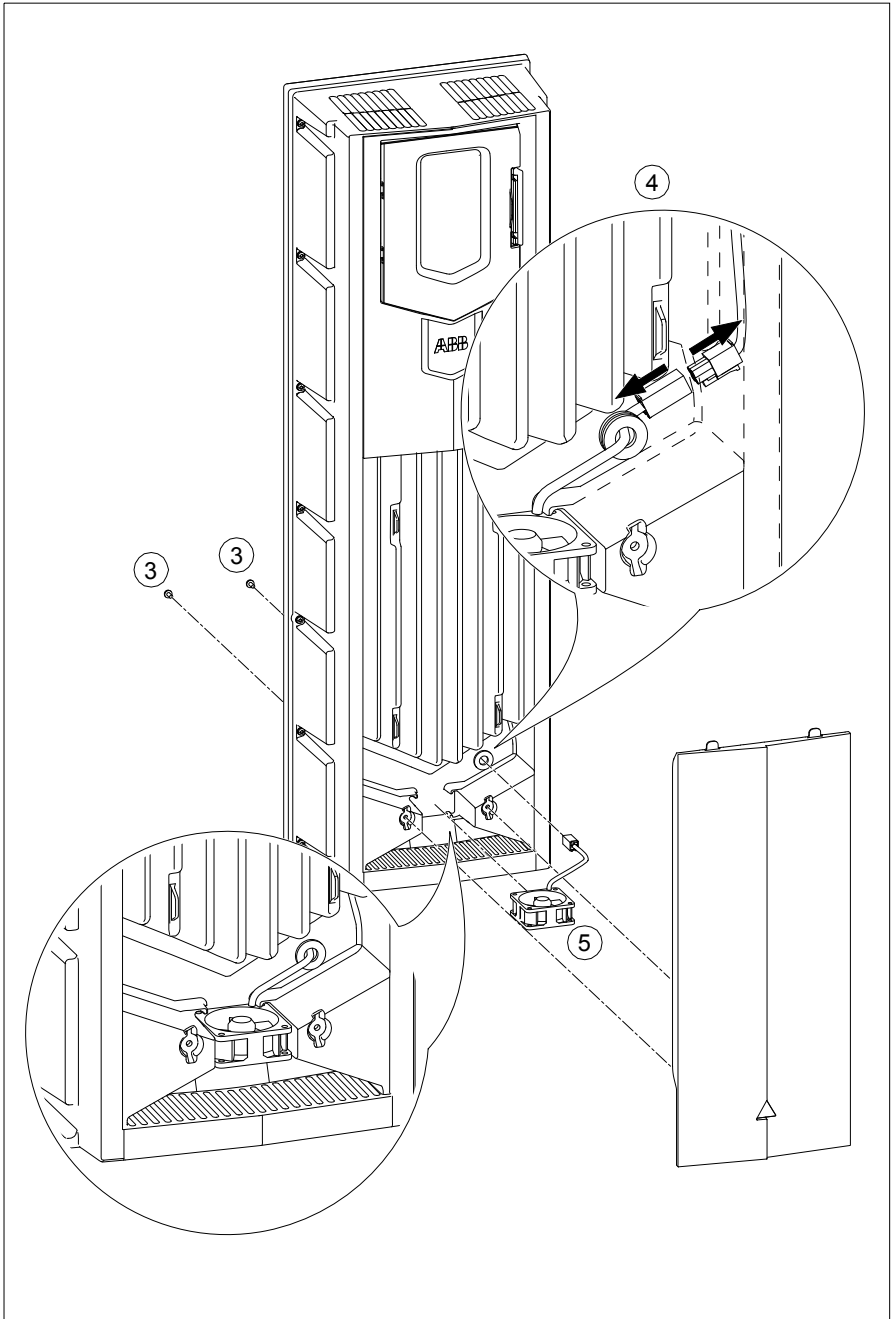
---



**WARNING!** Obey the safety instructions, page [14](#). Ignoring the instructions can cause physical injury or death, or damage to the equipment.

---

1. Disconnect the drive from the power line. Lock the main disconnecting device and ensure by measuring that there is no voltage.
  2. Remove the IP55 front cover.
  3. Remove the lower front cover from the IP55 cover.
  4. Unplug the fan power supply wires.
  5. Remove the fan.
  6. Install the new fan in reverse order. Make sure that the arrow on the fan points up.
  7. Reset the counter (if used) in group 5 in the primary control program.
-

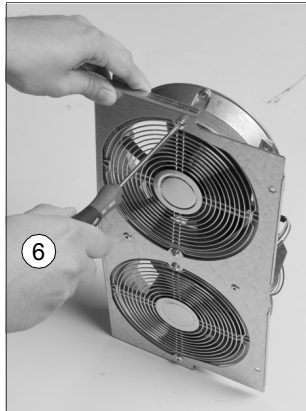
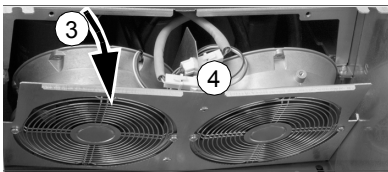
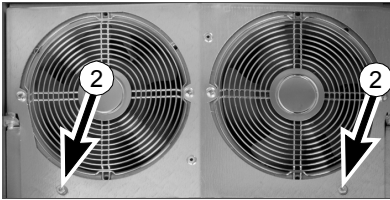


## ■ Replacing the main cooling fans of frame R9



**WARNING!** Obey the safety instructions, page 14. Ignoring the instructions can cause physical injury or death, or damage to the equipment.

1. Disconnect the drive from the power line. Lock the main disconnecting device and ensure by measuring that there is no voltage.
2. Undo the two mounting screws of the fan mounting plate (view from drive bottom below).
3. Turn the mounting plate downwards.
4. Disconnect the fan power supply wires.
5. Remove the fan mounting plate.
6. Remove the fan by undoing the two mounting screws.
7. Install the new fan in reverse order. Make sure that the fan blows upwards.
8. Reset the counter (if used) in group 5 in the primary control program.





## Replacing the drive (IP21, UL Type 1, frames R1 to R9)

This section gives instructions for replacing the drive module without the cable entry box. This allows you to leave the cables installed (except from disconnecting the conductors).

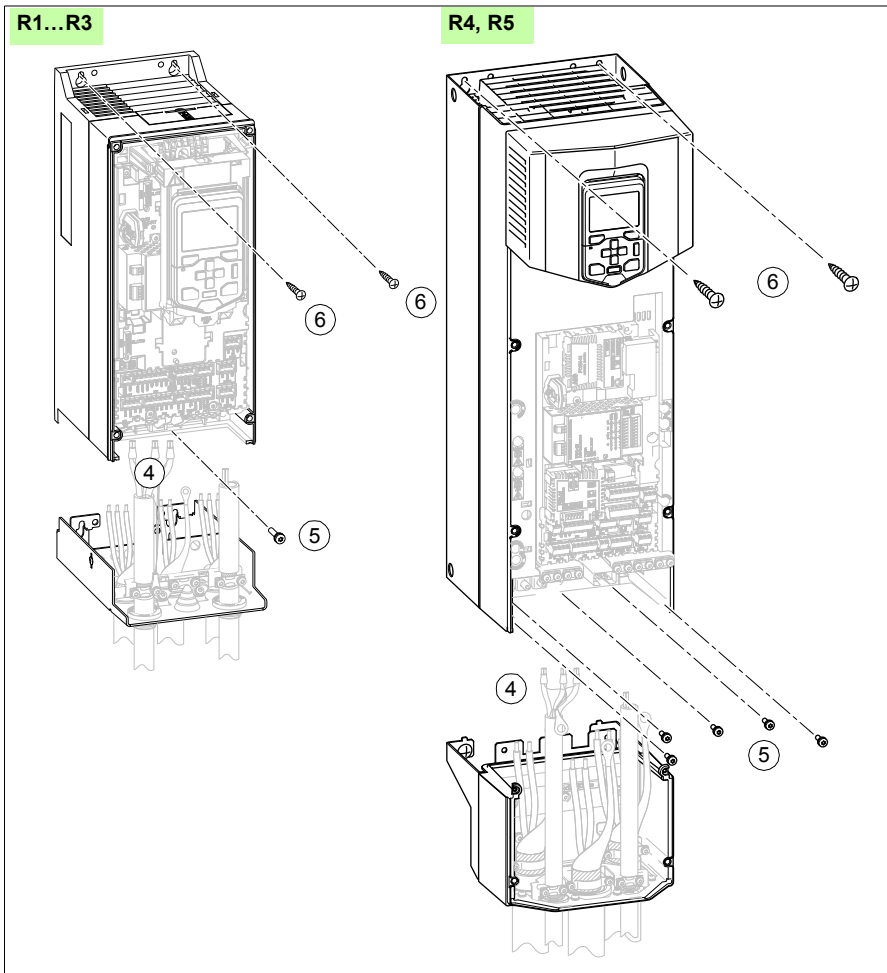
**Note for IP55 (UL Type 12) drives:** It is not allowed to remove the cable entry box.



**WARNING!** Obey the safety instructions, page 14. Ignoring the instructions can cause physical injury or death, or damage to the equipment.

---

1. Disconnect the drive from the power line. Lock the main disconnecting device and ensure by measuring that there is no voltage.
  2. Remove the front covers. See section [Connection procedure for frames R1 to R3](#) on page 95 or [Connection procedure for frames R4 and R5](#) on page 98.
  3. For frames R6 to R9: Remove the side plates of the cable entry box by loosening the mounting screws.
  4. Disconnect the power and control cables.
  5. Undo the screw(s) that fasten the drive module to the cable entry box.
  6. Undo the two screws or bolts that fasten the drive module to the wall from top.
  7. Undo the two screws or bolts which attach the drive module and cable entry box to the wall. Leave the lower wall mounting screws of the cable box in place.
  8. Lift the drive off.
  9. Install the new drive module in reverse order.
-



## Capacitors

The drive intermediate DC circuit employs several electrolytic capacitors. Their lifespan depends on the operating time of the drive, loading and ambient temperature. Capacitor life can be prolonged by lowering the ambient temperature.

In frames R1 to R3, the capacitors are integrated to the ZINT board and in frames R4 to R5 to the ZMAC board. In frames R6 to R8, the capacitors are separate.

Capacitor failure is usually followed by damage to the unit and an input cable fuse failure, or a fault trip. Contact ABB if capacitor failure is suspected. Replacements are available from ABB. Do not use other than ABB specified spare parts.

### ■ Reforming the capacitors

Reform the capacitors if the drive has not been powered for three years or more. The reforming is done by powering the unit not loaded for 60 minutes. See page 34 for information on finding out the manufacturing date. For information on reforming the capacitors, see *Converter module capacitor reforming instructions* (3BFE64059629 [English]).

## Memory unit

When a drive is replaced, the parameter settings can be retained by transferring the memory unit from the defective drive to the new drive. The memory unit is located on the control unit, see page 33.



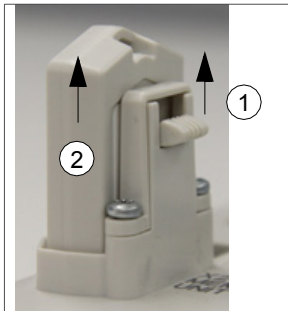
**WARNING!** Do not remove or insert a memory unit when the drive is powered or the control unit is powered from an external power source.

---

After power-up, the drive will scan the memory unit. If different parameter settings are detected, they are copied to the drive. This may take several minutes.

### ■ Replacing the memory unit

Pull the clip at the back of the memory unit up and take the unit off. Replace the unit in reverse order.



## Replacing the control panel battery

The battery is housed on the rear of the control panel. Replace with a new CR 2032 battery. Dispose the old battery according to local disposal rules or applicable laws.




## Replacing the control unit battery

For instructions how to replace the control unit battery, contact ABB service center.

## Replacing safety functions modules (FSO-12, option +Q973 and FSO-21, option +Q972)

Do not repair safety functions modules. Replace a faulty module with a new one as described under [Installation of safety functions modules](#) on page [123](#).

---

A large green square with rounded corners containing the number '11' in a bold, black, sans-serif font.

# Technical data

---

## What this chapter contains

This chapter contains the technical specifications of the drive, for example, the ratings, sizes and technical requirements, provisions for fulfilling the requirements for CE and other markings.

## Marine type-approved drives (option +C132)

See *ACS880-01/04+C132 marine type-approved drives supplement* (3AXD50000010521 [English]) for the ratings, marine-specific data and reference to valid marine type approvals.

## Drives for SynRM motors

See *ACS880-01 +N7502 drives for SynRM motors supplement* (3AXD50000029482 [English]) for the ratings, fuses and other technical data.

---

## Ratings

The nominal ratings for the drives with 50 Hz and 60 Hz supply are given below. The symbols are described below the table.

IEC RATINGS										
Drive type ACS880-01-	Frame size	Input rating	Output ratings							
			Nominal use				Light-overload use		Heavy-duty use	
			$I_1$	$I_{max}$	$I_2$	$P_N$	$S_N$	$I_{Ld}$	$P_{Ld}$	$I_{Hd}$
A	A	A	kW	kVA	A	kW	A	kW		
$U_N = 230\text{ V}$										
04A6-2	R1	4.6	6.3	4.6	0.75	1.8	4.4	0.75	3.7	0.55
06A6-2	R1	6.6	7.8	6.6	1.1	2.6	6.3	1.1	4.6	0.75
07A5-2	R1	7.5	11.2	7.5	1.5	3.0	7.1	1.5	6.6	1.1
10A6-2	R1	10.6	12.8	10.6	2.2	4.2	10.1	2.2	7.5	1.5
16A8-2	R2	16.8	18.0	16.8	4.0	7	16.0	4.0	10.6	2.2
24A3-2	R2	24.3	28.6	24.3	5.5	10	23.1	5.5	16.8	4.0
031A-2	R3	31.0	41	31	7.5	12	29.3	7.5	24.3	5.5
046A-2	R4	46	64	46	11	18	44	11	38	7.5
061A-2	R4	61	76	61	15	24	58	15	45	11.0
075A-2	R5	75	104	75	18.5	30	71	18.5	61	15
087A-2	R5	87	122	87	22	35	83	22	72	18.5
115A-2	R6	115	148	115	30	46	109	30	87	22.0
145A-2	R6	145	178	145	37	58	138	37	105	30.0
170A-2	R7	170	247	170	45	68	162	45	145	37
206A-2	R7	206	287	206	55	82	196	55	169	45
274A-2	R8	274	362	274	75	109	260	75	213	55
$U_N = 400\text{ V}$										
02A4-3	R1	2.4	3.1	2.4	0.75	1.7	2.3	0.75	1.8	0.55
03A3-3	R1	3.3	4.1	3.3	1.1	2.3	3.1	1.1	2.4	0.75
04A0-3	R1	4.0	5.6	4.0	1.5	2.8	3.8	1.5	3.3	1.1
05A6-3	R1	5.6	6.8	5.6	2.2	3.9	5.3	2.2	4.0	1.5
07A2-3	R1	8.0	9.5	8.0	3.0	5.5	7.6	3.0	5.6	2.2
09A4-3	R1	10.0	12.2	10.0	4.0	6.9	9.5	4.0	8.0	3.0
12A6-3	R1	12.9	16.0	12.9	5.5	8.9	12.0	5.5	10.0	4.0
017A-3	R2	17	21	17	7.5	12	16	7.5	12.6	5.5
025A-3	R2	25	29	25	11	17	24	11	17	7.5
032A-3	R3	32	42	32	15	22	30	15	25	11
038A-3	R3	38	54	38	18.5	26	36	18.5	32	15.0
045A-3	R4	45	64	45	22	31	43	22	38	18.5
061A-3	R4	61	76	61	30	42	58	30	45	22
072A-3	R5	72	104	72	37	50	68	37	61	30

IEC RATINGS											
Drive type ACS880-01-	Frame size	Input rating	Output ratings								
			Nominal use				Light-overload use		Heavy-duty use		
			$I_1$	$I_{max}$	$I_2$	$P_N$	$S_N$	$I_{Ld}$	$P_{Ld}$	$I_{Hd}$	$P_{Hd}$
			A	A	A	kW	kVA	A	kW	A	kW
087A-3	R5	87	122	87	45	60	83	45	72	37	
105A-3	R6	105	148	105	55	73	100	55	87	45	
145A-3	R6	145	178	145	75	100	138	75	105	55	
169A-3	R7	169	247	169	90	117	161	90	145	75	
206A-3	R7	206	287	206	110	143	196	110	169	90	
246A-3	R8	246	350	246	132	170	234	132	206	110	
293A-3	R8	293	418	293	160	203	278	160	246*	132	
363A-3	R9	363	498	363	200	251	345	200	293	160	
430A-3	R9	430	545	430	250	298	400	200	363**	200	
1) At 25 °C (77 °F) ambient temperature the current is 451 A.											
$U_N = 400 V$											
02A1-5	R1	2.1	3.1	2.1	0.75	1.8	2.0	0.55	1.7	0.55	
03A0-5	R1	3.0	4.1	3.0	1.1	2.6	2.8	1.1	2.1	0.75	
03A4-5	R1	3.4	5.6	3.4	1.1	2.9	3.2	1.1	3.0	1.1	
04A8-5	R1	4.8	6.8	4.8	1.5	4.2	4.6	1.5	3.4	1.1	
05A2-5	R1	5.2	9.5	5.2	2.2	4.5	5.0	2.2	4.8	1.5	
07A6-5	R1	7.6	12.2	7.6	3.0	6.6	7.2	3.0	5.2	2.2	
11A0-5	R1	11.0	16.0	11.0	4.0	9.5	10.4	4.0	7.6	3.0	
014A-5	R2	14	21	14	5.5	12	13	5.5	11	4.0	
021A-5	R2	21	29	21	7.5	18	19	7.5	14	5.5	
027A-5	R3	27	42	27	11	23	26	11	21	7.5	
034A-5	R3	34	54	34	15	29	32	15.0	27	11	
040A-5	R4	40	64	40	18.5	35	38	18.5	34	15	
052A-5	R4	52	76	52	22	45	49	22	40	18.5	
065A-5	R5	65	104	65	30	56	62	30	52	22	
077A-5	R5	77	122	77	37	67	73	37	65	30	
096A-5	R6	96	148	96	45	83	91	45	77	37	
124A-5	R6	124	178	124	55	107	118	55	96	45	
156A-5	R7	156	247	156	75	135	148	75	124	55	
180A-5	R7	180	287	180	90	156	171	90	156	75	
240A-5	R8	240	350	240	110	208	228	110	180	90	
260A-5	R8	260	418	260	132	225	247	132	240*	110	
361A-5	R9	361	542	361	200	313	343	160	302	160	
414A-5	R9	414	542	414	200	359	393	200	361**	200	

IEC RATINGS										
Drive type ACS880-01-	Frame size	Input rating	Output ratings							
			Nominal use				Light-overload use		Heavy-duty use	
		$I_1$	$I_{max}$	$I_2$	$P_N$	$S_N$	$I_{Ld}$	$P_{Ld}$	$I_{Hd}$	$P_{Hd}$
		A	A	A	kW	kVA	A	kW	A	kW
$U_N = 500\text{ V}$										
02A1-5	R1	2.1	3.1	2.1	0.75	1.8	2.0	0.55	1.7	0.55
03A0-5	R1	3.0	4.1	3.0	1.1	2.6	2.8	1.1	2.1	0.75
03A4-5	R1	3.4	5.6	3.4	1.1	2.9	3.2	1.1	3.0	1.1
04A8-5	R1	4.8	6.8	4.8	1.5	4.2	4.6	1.5	3.4	1.1
05A2-5	R1	5.2	9.5	5.2	2.2	4.5	5.0	2.2	4.8	1.5
07A6-5	R1	7.6	12.2	7.6	3.0	6.6	7.2	3.0	5.2	2.2
11A0-5	R1	11.0	16.0	11.0	4.0	9.5	10.4	4.0	7.6	3.0
014A-5	R2	14	21	14	5.5	12	13	5.5	11	4.0
021A-5	R2	21	29	21	7.5	18	19	7.5	14	5.5
027A-5	R3	27	42	27	11	23	26	11	21	7.5
034A-5	R3	34	54	34	15	29	32	15	27	11
040A-5	R4	40	64	40	18.5	35	38	18.5	34	15
052A-5	R4	52	76	52	22	45	49	22	40	18.5
065A-5	R5	65	104	65	30	56	62	30	52	22
077A-5	R5	77	122	77	37	67	73	37	65	30
096A-5	R6	96	148	96	45	83	91	45	77	37
124A-5	R6	124	178	124	55	107	118	55	96	45
156A-5	R7	156	247	156	75	135	148	75	124	55
180A-5	R7	180	287	180	90	156	171	90	156	75
240A-5	R8	240	350	240	110	208	228	110	180	90
260A-5	R8	260	418	260	132	225	247	132	240*	110
361A-5	R9	361	542	361	200	313	343	160	302	160
414A-5	R9	414	542	414	200	359	393	200	361**	200



IEC RATINGS										
Drive type ACS880-01-	Frame size	Input rating	Output ratings							
			Nominal use				Light-overload use		Heavy-duty use	
		$I_1$	$I_{max}$	$I_2$	$P_N$	$S_N$	$I_{Ld}$	$P_{Ld}$	$I_{Hd}$	$P_{Hd}$
		A	A	A	kW	kVA	A	kW	A	kW
$U_N = 690$ V										
07A4-7	R3	7.4	12.2	7.4	5.5	8.8	7.0	5.5	5.6	4
09A9-7	R3	9.9	18	9.9	7.5	11.8	9.4	7.5	7.4	5.5
14A3-7	R3	14.3	22	14.3	11	17	13.6	11	9.9	7.5
019A-7	R3	19	29	19	15	23	18	15	14.3	11
023A-7	R3	23	38	23	18.5	27	22	18.5	19	15
027A-7	R3	27	46	27	22	32	26	22	23	18.5
07A3-7	R5	7.3	12.2	7.3	5.5	8.7	6.9	5.5	5.6	4
09A8-7	R5	9.8	18	9.8	7.5	11.7	9.3	7.5	7.3	5.5
14A2-7	R5	14.2	22	14.2	11	17	13.5	11	9.8	7.5
018A-7	R5	18	29	18	15	22	17	15	14.2	11
022A-7	R5	22	44	22	18.5	26	21	18.5	18	15
026A-7	R5	26	54	26	22	31	25	22	22	18.5
035A-7	R5	35	64	35	30	42	33	30	26	22
042A-7	R5	42	74	42	37	50	40	37	35	30
049A-7	R5	49	76	49	45	59	47	45	42	37
061A-7	R6	61	104	61	55	73	58	55	49	45
084A-7	R6	84	124	84	75	100	80	75	61	55
098A-7	R7	98	168	98	90	117	93	90	84	75
119A-7	R7	119	198	119	110	142	113	110	98	90
142A-7	R8	142	250	142	132	170	135	132	119	110
174A-7	R8	174	274	174	160	208	165	160	142	132
210A-7	R9	210	384	210	200	251	200	200	174	160
271A-7	R9	271	411	271	250	324	257	250	210	200

3AXD00000588487

NEMA RATINGS											
Drive type ACS880-01-	Frame size	Input rating	Output ratings								
			Max. current	App. power	Light-overload use			Heavy-duty use			
			$I_1$	$I_{max}$	$S_n$	$I_{Ld}$	$P_{Ld}$		$I_{Hd}$	$P_{Hd}$	
			A	A	kVA	A	kW	hp	A	kW	hp
$U_N = 230\text{ V}$											
04A6-2	R1	4.4	6.3	1.8	4.4	0.75	1.0	3.7	0.55	0.75	
06A6-2	R1	6.3	7.8	2.6	6.3	1.1	1.5	4.6	0.75	1.0	
07A5-2	R1	7.1	11.2	3.0	7.1	1.5	2.0	6.6	1.1	1.5	
10A6-2	R1	10.1	12.8	4.2	10.1	2.2	3.0	7.5	1.5	2.0	
16A8-2	R2	16.0	18.0	7	16.0	4.0	5.0	10.6	2.2	3.0	
24A3-2	R2	23.1	28.6	10	23.1	5.5	7.5	16.8	4.0	5.0	
031A-2	R3	29.3	41	12	29.3	7.5	10	24.3	5.5	7.5	
046A-2	R4	44	64	18	44	11	15	38	7.5	10	
061A-2	R4	58	76	24	58	15	20	45	11.0	15	
075A-2	R5	71	104	30	71	18.5	25	61	15	20	
087A-2	R5	83	122	35	83	22	30	72	18.5	25	
115A-2	R6	109	148	46	109	30	40	87	22.0	30	
145A-2	R6	138	178	58	138	37	50	105	30.0	40	
170A-2	R7	162	247	68	162	45	60	145	37	50	
206A-2	R7	196	287	82	196	55	75	169	45	60	
274A-2	R8	260	362	109	260	75	100	213	55	75	

NEMA RATINGS											
Drive type ACS880-01-	Frame size	Input rating	Output ratings								
			Max. current	App. power	Light-overload use			Heavy-duty use			
			$I_1$	$I_{max}$	$S_n$	$I_{Ld}$	$P_{Ld}$		$I_{Hd}$	$P_{Hd}$	
			A	A	kVA	A	kW	hp	A	kW	hp
$U_N = 460\text{ V}$											
02A1-5	R1	2.1	3.1	1.8	2.1	0.75	1.0	1.7	0.55	0.75	
03A0-5	R1	3.0	4.1	2.6	3.0	1.1	1.5	2.1	0.75	1.0	
03A4-5	R1	3.4	5.6	2.9	3.4	1.5	2.0	3.0	1.1	1.5	
04A8-5	R1	4.8	6.8	4.2	4.8	2.2	3.0	3.4	1.5	2.0	
05A2-5	R1	5.2	9.5	4.5	5.2	3.0	3.0	4.8	1.5	2.0	
07A6-5	R1	7.6	12.2	6.6	7.6	4.0	5.0	5.2	2.2	3.0	
11A0-5	R1	11	16.0	9.5	11	5.5	7.5	7.6	4.0	5.0	
014A-5	R2	14	21	12	14	7.5	10	11	5.5	7.5	
021A-5	R2	21	29	18	21	11	15	14	7.5	10	
027A-5	R3	27	42	23	27	15	20	21	11	15	
034A-5	R3	34	54	29	34	18.5	25	27	15	20.0	
040A-5	R4	40	64	35	40	22	30	34	18.5	25	
052A-5	R4	52	76	45	52	30	40	40	22	30	
065A-5	R5	65	104	56	65	37	50	52	30	40	
077A-5	R5	77	122	67	77	45	60	65	37	50	
096A-5	R6	96	148	83	96	55	75	77	45	60	
124A-5	R6	124	178	107	124	75	100	96	55	75	
156A-5	R7	156	247	135	156	90	125	124	75	100	
180A-5	R7	180	287	156	180	110	150	156	90	125	
240A-5	R8	240	350	208	240	132	200	180	110	150	
260A-5	R8	260	418	225	260	132	200	240*	110	150	
302A-5	R9	302	498	262	302	200	250	260	132	200	
361A-5	R9	361	542	313	361	200	300	302	200	250	
414A-5	R9	414	542	359	393 <sup>2)</sup>	250	350	361**	200	300	

<sup>2)</sup> At 30 °C (86 °F) ambient temperature the current is 414 A.

NEMA RATINGS											
Drive type ACS880-01-	Frame size	Input rating	Output ratings								
			Max. current	App. power	Light-overload use			Heavy-duty use			
			$I_1$	$I_{max}$	$S_n$	$I_{Ld}$	$P_{Ld}$		$I_{Hd}$	$P_{Hd}$	
			A	A	kVA	A	kW	hp	A	kW	hp
$U_N = 575 V$											
07A4-7	R3	7.0	12.2	8.8	7.0	4.0	5.0	5.6	3.0	3.0	
09A9-7	R3	9.4	18	11.8	9.4	5.5	7.5	7.4	4.0	5.0	
14A3-7	R3	13.6	22	17	13.6	7.5	10	9.9	5.5	7.5	
019A-7	R3	18	29	23	18	11	15	14.3	7.5	10	
023A-7	R3	22	38	27	22	15	20	19	11	15	
027A-7	R3	27	46	32	27	18.5	25	23	15	20	
07A3-7	R5	9	12.2	8.7	9	5.5	7.5	6.1	4.0	5.0	
09A8-7	R5	11	18	11.7	11	7.5	10	9	5.5	7.5	
14A2-7	R5	17	22	17	17	11	15	11	7.5	10	
018A-7	R5	22	29	22	22	15	20	17	11	15	
022A-7	R5	27	44	26	27	18.5	25	22	15	20	
026A-7	R5	32	54	31	32	22	30	27	18.5	25	
035A-7	R5	41	64	42	41	30	40	32	22	30	
042A-7	R5	52	74	50	52	37	50	41	30	40	
049A-7	R5	52	76	59	52	37	50	41	30	40	
061A-7	R6	62	104	73	62	45	60	52	37	50	
084A-7	R6	77	124	100	77	55	75	62	45	60	
098A-7	R7	99	168	117	99	75	100	77	55	75	
119A-7	R7	125	198	142	125	90	125	99	75	100	
142A-7	R8	144	250	170	144	110	150	125	90	125	
174A-7 (See Note 3 below)	R8	180	274	208	180	132	200	144	110	150	
210A-7	R9	242	384	251	242	160	250	192	132	200	
271A-7 (See Note 4 below)	R9	271	411	324	271	200	250	242*	160	250	

3AXD00000588487

## ■ Definitions

$U_N$	Nominal voltage of the drive
$I_1$	Nominal rms input current
$I_2$	Nominal output current (available continuously with no over-loading)
$P_N$	Typical motor power in no-overload use

$I_{Ld}$	Continuous rms output current allowing 10% overload for 1 minute every 5 minutes
$P_{Ld}$	Typical motor power in light-overload use
$I_{max}$	Maximum output current. Available for 10 seconds at start. then as long as allowed by drive temperature.
$I_{Hd}$	Continuous rms output current allowing 50% overload for 1 minute every 5 minutes. * Continuous rms output current allowing 30% overload for 1 minute every 5 minutes. ** Continuous rms output current allowing 25% overload for 1 minute every 5 minutes. *** Continuous rms output current allowing 35% overload for 1 minute every 5 minutes in IEC ratings. **** Continuous rms output current allowing 35% overload for 1 minute every 5 minutes in NEMA ratings.
$P_{Hd}$	Typical motor power in heavy-duty use

**Note 1:** The ratings apply at an ambient temperature of 40 °C (104 °F).

**Note 2:** To achieve the rated motor power given in the table, the rated current of the drive must be higher than or equal to the rated motor current.

The DriveSize dimensioning tool available from ABB is recommended for selecting the drive, motor and gear combination.

**Note 3 – ACS880-01-174A-7 amp rating:** The drive can deliver 192 A continuously with no overload.

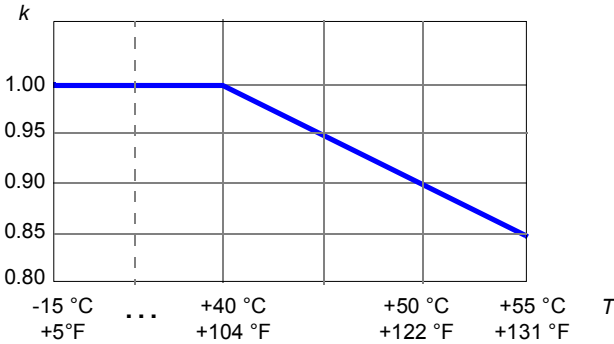
**Note 4 – ACS880-01-271A-7 power rating:** The power rating is as per NEC Table 42.1. However, the drive can be used for a typical 4-pole motor rated to 300 hp meeting NEMA MG 1 Table 12-11 minimum efficiency standard (EPA efficiency electrical motors) if motor full load current is not more than 271 A.

## Derating

### ■ Ambient temperature derating

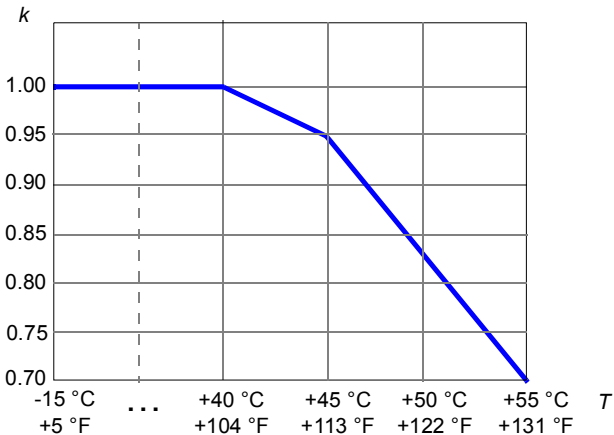
**IP21 (UL Type 1) drive types and other IP55 (UL Type 12) types than listed in the following subheadings**

In the temperature range +40...55 °C (+104...131 °F), the rated output current is derated by 1% for every added 1 °C (1.8 °F). The output current can be calculated by multiplying the current given in the rating table by the derating factor ( $k$ ):



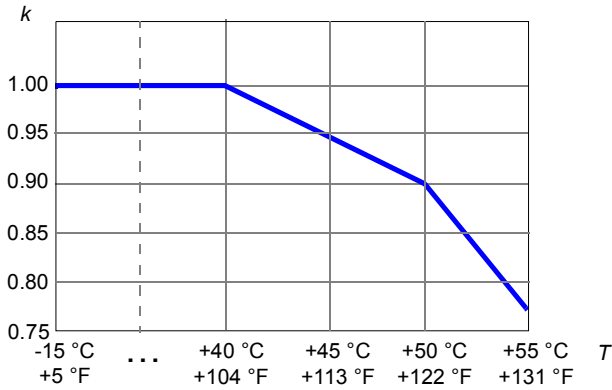
**IP55 (UL Type 12) drive types -274A-2, 293A-3, -260A-5, -302A-5 and -174A-7**

In the temperature range +40...45 °C (+104...113 °F), the rated output current is derated by 1% for every added 1 °C (1.8 °F). In the temperature range +45...55 °C (+113...131 °F), the rated output current is derated by 2.5% for every added 1 °C (1.8 °F). The output current can be calculated by multiplying the current given in the rating table by the derating factor ( $k$ ):



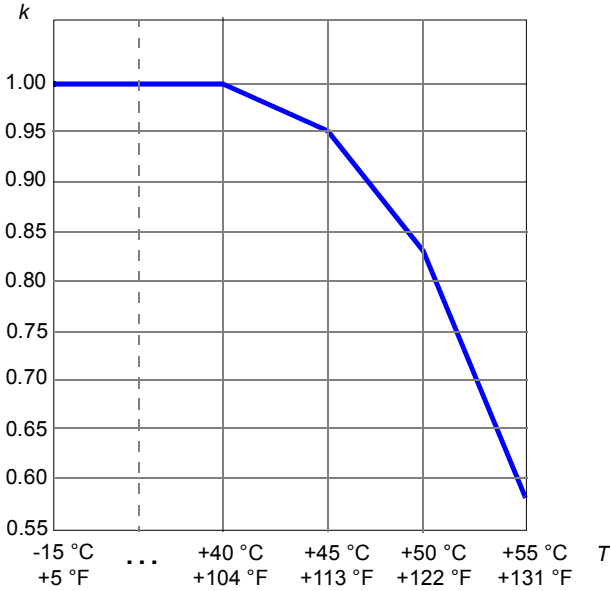
**IP55 (UL Type 12) drive type -240A-5**

In the temperature range +40...50 °C (+104...122 °F), the rated output current is derated by 1% for every added 1 °C (1.8 °F). In the temperature range +50...55 °C (+122...131 °F), the rated output current is derated by 2.5% for every added 1 °C (1.8 °F). The output current can be calculated by multiplying the current given in the rating table by the derating factor ( $k$ ):



**IP55 (UL Type 12) drive types -363A-3 and -361A-5**

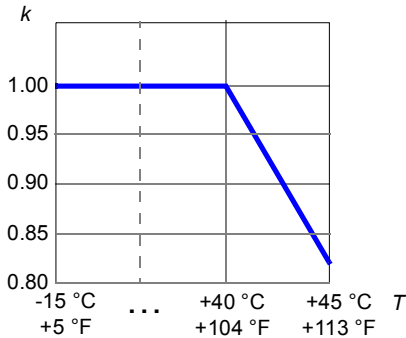
In the temperature range +40...45 °C (+104...113 °F), the rated output current is derated by 1% for every added 1 °C (1.8 °F). In the temperature range +45...50 °C (+113...122 °F), the rated output current is derated by 2.5% for every added 1 °C (1.8 °F). In the temperature range +50...55 °C (+122...131 °F), the rated output current is derated by 5% for every added 1 °C (1.8 °F). The output current can be calculated by multiplying the current given in the rating table by the derating factor ( $k$ ):





**IP55 (UL Type 12) drive type -210A-7**

In the temperature range +40...45 °C (+104...113 °F), the rated output current is derated by 3.5% for every added 1 °C (1.8 °F). The maximum temperature is 45 °C (113 °F). The output current can be calculated by multiplying the current given in the rating table by the derating factor ( $k$ ):

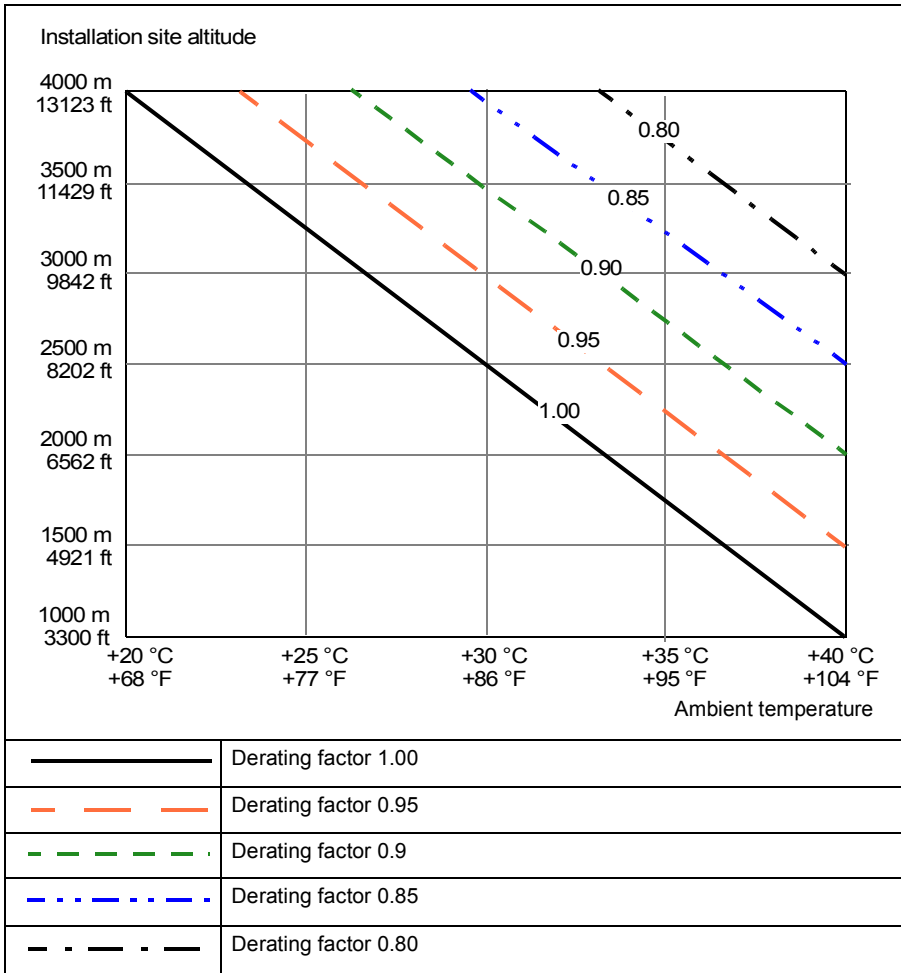


**IP55 (UL Type 12) types -0430A-3, -0414A-5 and -0271A-7**

The maximum ambient temperature is 35 °C (95 °F).

**Altitude derating**

At altitudes from 1000 to 4000 m (3300 to 13123 ft) above sea level, the derating is 1% for every 100 m (328 ft). If ambient temperature is below 40 °C (+104 °F), the derating can be reduced by 1.5% for every 1 °C (1.8 °F) reduction in temperature. A few altitude derating curves are shown below. For a more accurate derating, use the DriveSize PC tool.



The altitude derating can be reduced if the temperature is below +40 °C, for example, if the temperature is 30 °C, the derating factor is  $1 - 1.5\% \cdot 10 = 0.85$ . You can reduce the output current by 35% instead of 40% at 4000 meter above the sea level.

### ■ Deratings for special settings in the drive control program

Enabling special settings in the drive control program can require output current derating.

**Ex motor, sine filter, low noise**

Contact ABB for the deratings of these cases:

- drive is used with an ABB motor for explosive atmospheres (Ex) and *EX motor* in Parameter **95.15 Special HW settings** is enabled
- sine filter given in the selection table on page 265 is used and *ABB Sine filter* in Parameter **95.15 Special HW settings** is enabled
- *Low noise optimization* is selected in Parameter **97.09 Switching freq mode**.

**Note:** If Ex motors are used together with sine filters, *EX motor* in Parameter **95.15 Special HW settings** is disabled and *ABB Sine filter* in Parameter **95.15 Special HW settings** is enabled. Obey the instructions of the motor manufacturer.

Drive type ACS880-01-	Output ratings							
	EX motor (ABB Ex motors)				ABB Sine filter			
	Nominal use		Light-duty use	Heavy-duty use	Nominal use		Light-duty use	Heavy-duty use
	$I_N$	$P_N$	$I_{Ld}$	$I_{Hd}$	$I_N$	$P_N$	$I_{Ld}$	$I_{Hd}$
	A	kW	A	A	A	kW	A	A
<b><math>U_N = 230 V</math></b>								
04A6-2	4.6	0.75	4.4	3.7	4.3	0.55	4.1	3.5
06A6-2	6.6	1.1	6.3	4.6	6.2	0.8	5.9	4.3
07A5-2	7.5	1.5	7.1	6.6	7.4	1.5	7.0	6.2
10A6-2	10.6	2.2	10.1	7.5	10.0	2.2	9.5	7.4
16A8-2	16.8	4.0	16.0	10.6	15.9	4.0	15.1	10.0
24A3-2	24.3	5.5	23.1	16.8	23.1	5.5	21.9	15.9
031A-2	31	7.5	29.3	24.3	30.5	7.5	29.0	23.1
046A-2	46	11.0	44	38	43.0	11.0	41	31
061A-2	61	15	58	45	58	15	55	41
075A-2	75	19	71	61	65	15	62	55
087A-2	87	22	83	72	77	18.5	73	62
115A-2	106	22	101	87	100	22	95	73
145A-2	134	30	127	105	126	30	120	95
170A-2	161	37	153	134	153	37	145	120
206A-2	195	45	185	161	186	45	177	145
274A-2	251	55	238	195	233	55	221	169
<b><math>U_N = 400 V</math></b>								
02A4-3	2.4	0.75	2.3	1.80	2.3	0.75	2.2	1.7
03A3-3	3.3	1.1	3.1	2.4	3.1	1.1	2.9	2.3
04A0-3	4.0	1.5	3.8	3.3	3.8	1.5	3.6	3.1
05A6-3	5.6	2.2	5.3	4.0	5.3	2.2	5.0	3.8
07A2-3	8.0	3.0	7.6	5.6	7.2	3.0	6.8	5.3
09A4-3	10.0	4.0	9.5	8.0	9.2	4.0	8.7	7.2

Drive type ACS880-01-	Output ratings							
	EX motor (ABB Ex motors)				ABB Sine filter			
	Nominal use		Light-duty use	Heavy-duty use	Nominal use		Light-duty use	Heavy-duty use
	$I_N$	$P_N$	$I_{Ld}$	$I_{Hd}$	$I_N$	$P_N$	$I_{Ld}$	$I_{Hd}$
A	kW	A	A	A	kW	A	A	
12A6-3	12.9	5.5	12.0	10.0	12.1	5.5	11.5	9.2
017A-3	17	8	16	12.6	16	7.5	15	12
025A-3	25	11	24	17	24	11	23	16
032A-3	32	15	30	25	31	15	29	23
038A-3	38	19	36	32	37	18.5	35	31
045A-3	45	22	43	38	43	22	41	36
061A-3	61	30	58	45	58	30	55	43
072A-3	72	37	68	61	64	30	61	58
087A-3	87	45	83	72	77	37	73	64
105A-3	97	45	92	87	91	45	86	77
145A-3	134	55	127	97	126	55	120	91
169A-3	160	75	152	134	152	75	144	126
206A-3	195	90	185	160	186	90	177	152
246A-3	225	110	214	195	209	110	199	186
293A-3	269	132	256	225*	249	132	237	209*
363A-3	325	160	309	269	296	160	281	249
430A-3	385	200	366	325**	352	160	334	296**
$U_N = 500\text{ V}$								
02A1-5	2.1	0.75	2.0	1.7	1.9	0.55	1.8	1.5
03A0-5	3.0	1.1	2.8	2.1	2.8	0.75	2.7	1.9
03A4-5	3.4	1.5	3.2	3.0	3.1	1.1	2.9	2.8
04A8-5	4.8	2.2	4.6	3.4	4.4	1.5	4.2	3.1
05A2-5	5.2	3.0	5.0	4.8	4.8	2.2	4.6	4.4
07A6-5	7.6	4.0	7.2	5.2	7.0	3.0	6.7	4.8
11A0-5	11.0	5.5	10.4	7.6	10.2	4.0	9.7	7.0
014A-5	14	7.5	13	11	13	5.5	12	10.2
021A-5	21	11.0	19	14	19	7.5	18	13
027A-5	27	15	26	21	25	11.0	24	19.0
034A-5	34	18.5	32	27.0	31	15	29	25
040A-5	40	22	38	34	34	18.5	32	31.0
052A-5	52	30	49	40	44	22	42	34
065A-5	65	37	62	52	52	30	49	44
077A-5	77	45	73	65	61	37	58	52
096A-5	88	45	84	77	82	45	78	61
124A-5	115	55	109	88	104	55	99	82

Drive type ACS880-01-	Output ratings							
	EX motor (ABB Ex motors)				ABB Sine filter			
	Nominal use		Light-duty use	Heavy-duty use	Nominal use		Light-duty use	Heavy-duty use
	$I_N$	$P_N$	$I_{Ld}$	$I_{Hd}$	$I_N$	$P_N$	$I_{Ld}$	$I_{Hd}$
A	kW	A	A	A	kW	A	A	
156A-5	147	75	140	115	140	75	133	104
180A-5	170	90	162	147	161	90	153	140
240A-5	220	110	209	170	204	110	194	161
260A-5	238	132	226	220*	221	110	210	204*
361A-5	322	200	306	270	289	160	275	242
414A-5	370	200	352	322**	332	200	315	289**
$U_N = 690 V$								
07A4-7	*	*	*	*	*	*	*	*
09A9-7	*	*	*	*	*	*	*	*
14A3-7	*	*	*	*	*	*	*	*
019A-7	*	*	*	*	*	*	*	*
023A-7	*	*	*	*	*	*	*	*
027A-7	*	*	*	*	*	*	*	*
07A3-7	7.3	5.5	6.9	5.6	6.9	4.0	6.6	5.5
09A8-7	9.8	7.5	9.3	7.3	9.3	5.5	8.8	6.9
14A2-7	14.2	11	13.5	10	13.5	7.5	12.8	9.3
018A-7	18	15	17	14	17	11	16	14
022A-7	22	18.5	21	18.0	21	15	20	17
026A-7	26	22	25	22	24	18.5	22.8	21
035A-7	35	30	33	26	33	22	31	24
042A-7	42	37	40	35	40	30	38	33
049A-7	49	45	47	42	46	37	44	40
061A-7	61	55	58	49	49	45	47	46
084A-7	84	75	80	61	68	55	65	49
098A-7	98	90	93	84	83	75	79	68
119A-7	119	110	113	98	101	90	96	83
142A-7	126	110	120	119	112	90	106	90
174A-7	154	132	146	126	137	110	130	112
210A-7	184	160	175	154	161	132	153	137
271A-7	238	200	226	184	207	160	197	161

3AXD0000588487

$U_N$	Supply voltage range
$I_N$	Nominal output current (available continuously with no over-loading)
$P_N$	Typical motor power in no-overload use
$I_{Ld}$	Continuous rms output current allowing 10% overload for 1 minute every 5 minutes

$I_{Hd}$	Continuous rms output current allowing 50% overload for 1 minute every 5 minutes. * Continuous rms output current allowing 30% overload for 1 minute every 5 minutes. ** Continuous rms output current allowing 25% overload for 1 minute every 5 minutes.
$P_{Hd}$	Typical motor power in heavy-duty use
*	Contact ABB
<b>Note 1:</b> The ratings apply at an ambient temperature of 40 °C (104 °F).	

Drive type ACS880-01-	Output ratings with selection Low noise optimization of parameter 97.09 Switching freq mode		
	Nominal use	Light- duty use	Heavy-duty use
	$I_N$	$I_{Ld}$	$I_{Hd}$
	A	A	A
$U_N = 230\text{ V}$			
04A6-2	4.1	3.9	3.3
06A6-2	5.9	5.6	4.1
07A5-2	6.7	6.4	5.9
10A6-2	9.5	9.0	6.7
16A8-2	15.0	14.3	9.5
24A3-2	22.0	20.9	15.0
031A-2	30.0	28.5	22.0
046A-2	41.0	39.0	30.0
061A-2	56	53	41
075A-2	56	53	47
087A-2	67	64	56
115A-2	94	89	67
145A-2	118	112	94
170A-2	146	139	118
206A-2	178	169	146
274A-2	216	205	178
$U_N = 400\text{ V}$			
02A4-3	2.2	2.1	1.7
03A3-3	3.0	2.9	2.2
04A0-3	3.6	3.4	3.0
05A6-3	5.0	4.8	3.6
07A2-3	6.5	6.2	5.0
09A4-3	8.5	8.1	6.5
12A6-3	11.3	10.7	8.5
017A-3	15	14.3	11.3

Drive type ACS880-01-	Output ratings with selection Low noise optimization of parameter 97.09 Switching freq mode		
	Nominal use	Light- duty use	Heavy-duty use
	$I_N$	$I_{Ld}$	$I_{Hd}$
	A	A	A
025A-3	22	20.9	15.0
032A-3	30	29	22
038A-3	35	33	30
045A-3	41	39	35
061A-3	56	53	41
072A-3	56	53	47
087A-3	67	64	56
105A-3	86	82	67
145A-3	118	112	86
169A-3	146	139	118
206A-3	178	169	146
246A-3	194	184	178
293A-3	236	224	194*
363A-3	274	260	236
430A-3	325	309	274**
$U_N = 500\text{ V}$			
02A1-5	1.8	1.7	1.4
03A0-5	2.6	2.5	1.8
03A4-5	2.9	2.8	2.6
04A8-5	4.1	3.9	2.9
05A2-5	4.4	4.2	4.1
07A6-5	6.5	6.2	4.4
11A0-5	9.4	8.9	6.5
014A-5	12.0	11.4	9.4
021A-5	18.0	17.1	12.0
027A-5	23.0	21.9	18.0
034A-5	29	28	23
040A-5	29	28	23
052A-5	37	35	29
065A-5	39	37	33
077A-5	46	44	39
096A-5	72	68	46
124A-5	93	88	72
156A-5	133	126	93
180A-5	153	145	133
240A-5	191	181	153
260A-5	206	196	191*

Drive type ACS880-01-	Output ratings with selection Low noise optimization of parameter 97.09 Switching freq mode		
	Nominal use	Light- duty use	Heavy-duty use
	$I_N$	$I_{Ld}$	$I_{Hd}$
	A	A	A
361A-5	258	245	206
414A-5	296	281	258**
$U_N = 690$ V			
07A4-7	*	*	*
09A9-7	*	*	*
14A3-7	*	*	*
019A-7	*	*	*
023A-7	*	*	*
027A-7	*	*	*
07A3-7	6.9	6.6	5.5
09A8-7	9.3	8.8	6.9
14A2-7	13.5	12.8	9.3
018A-7	17	16	14
022A-7	21	20	17
026A-7	24	22.8	21.0
035A-7	33	31	24
042A-7	40	38	33
049A-7	46	44	40
061A-7	49	47	46
084A-7	68	65	49
098A-7	83	79	68
119A-7	101	96	83
142A-7	101	96	84
174A-7	122	116	101
210A-7	138	131	122
271A-7	178	169	138

3AXD00000588487

$U_N$	Supply voltage range
$I_N$	Nominal output current (available continuously with no over-loading)
$P_N$	Typical motor power in no-overload use
$I_{Ld}$	Continuous rms output current allowing 10% overload for 1 minute every 5 minutes



$I_{Hd}$	<p>Continuous rms output current allowing 50% overload for 1 minute every 5 minutes.</p> <p>* Continuous rms output current allowing 30% overload for 1 minute every 5 minutes.</p> <p>** Continuous rms output current allowing 25% overload for 1 minute every 5 minutes.</p>
$P_{Hd}$	Typical motor power in heavy-duty use
*	Contact ABB
<b>Note 1:</b> The ratings apply at an ambient temperature of 40 °C (104 °F).	

## High speed mode

Selection **High speed mode** of parameter **95.15 Special HW settings** improves control performance at high output frequencies. We recommend it to be selected with output frequency of 120 Hz and above.

This table gives the drive ratings for the maximum output frequency when **High speed mode** in parameter **95.15 Special HW settings** is enabled: With output frequencies smaller than this recommended maximum output frequency, the current derating is less than the values given in the table. Contact ABB for operation above the recommended maximum output frequency or for the output current derating with output frequencies above 120 Hz and below the maximum output frequency.

At the output frequency 120 Hz no derating.

Drive module type ACS880-01-	Output ratings with selection High speed mode of parameter 95.15 Special HW settings			
	Maximum output frequency			
	$f_{max}$	Nominal use	Light-duty use	Heavy-duty use
		$I_N$	$I_{Ld}$	$I_{Hd}$
	Hz	A	A	A
$U_N = 230\text{ V}$				
04A6-2	500	4.1	3.9	3.3
06A6-2	500	5.9	5.6	4.1
07A5-2	500	6.7	6.4	5.9
10A6-2	500	9.5	9.0	6.7
16A8-2	500	15.0	14.3	9.5
24A3-2	500	22.0	20.9	15.0
031A-2	500	30.0	28.5	22.0
046A-2	500	41.0	39.0	30.0
061A-2	500	56	53	41
075A-2	500	56	53	47
087A-2	500	67	64	56
115A-2	500	84	80	67
145A-2	500	106	101	84
170A-2	500	135	128	106
206A-2	500	165	157	135
274A-2	500	189	180	165
$U_N = 400\text{ V}$				
02A4-3	500	2.2	2.1	1.7
03A3-3	500	3.0	2.9	2.2
04A0-3	500	3.6	3.4	3.0
05A6-3	500	5.0	4.8	3.6
07A2-3	500	6.5	6.2	5.0
09A4-3	500	8.5	8.1	6.5

Drive module type ACS880-01-	Output ratings with selection High speed mode of parameter 95.15 Special HW settings			
	Maximum output frequency			
	$f_{max}$	Nominal use	Light-duty use	Heavy-duty use
		$I_N$	$I_{Ld}$	$I_{Hd}$
	Hz	A	A	A
12A6-3	500	11.3	10.7	8.5
017A-3	500	15	14.3	11.3
025A-3	500	22	20.9	15.0
032A-3	500	30	29	22
038A-3	500	35	33	30
045A-3	500	41	39	35
061A-3	500	56	53	41
072A-3	500	56	53	47
087A-3	500	67	64	56
105A-3	500	77	73	67
145A-3	500	106	101	77
169A-3	500	135	128	106
206A-3	500	165	157	135
246A-3	500	170	162	143
293A-3	500	202	192	170*
363A-3	500	236	224	202
430A-3	500	280	266	236**
$U_N = 500\text{ V}$				
02A1-5	500	1.8	1.7	1.4
03A0-5	500	2.6	2.5	1.8
03A4-5	500	2.9	2.8	2.6
04A8-5	500	4.1	3.9	2.9
05A2-5	500	4.4	4.2	4.1
07A6-5	500	6.5	6.2	4.4
11A0-5	500	9.4	8.9	6.5
014A-5	500	12.0	11.4	9.4
021A-5	500	18.0	17.1	12.0
027A-5	500	23.0	21.9	18.0
034A-5	500	29	28	23
040A-5	500	29	28	23
052A-5	500	37	35	29
065A-5	500	39	37	33
077A-5	500	46	44	39
096A-5	500	58	55	46
124A-5	500	74	70	58
156A-5	500	122	116	74

Drive module type ACS880-01-	Output ratings with selection High speed mode of parameter 95.15 Special HW settings			
	Maximum output frequency			
	$f_{\max}$	Nominal use	Light-duty use	Heavy-duty use
	Hz	$I_N$ A	$I_{Ld}$ A	$I_{Hd}$ A
180A-5	500	140	133	122
240A-5	500	168	160	140
260A-5	500	182	173	168*
361A-5	500	206	196	182
414A-5	500	236	224	206**
$U_N = 690$ V				
07A4-7	500	*	*	*
09A9-7	500	*	*	*
14A3-7	500	*	*	*
019A-7	500	*	*	*
023A-7	500	*	*	*
027A-7	500	*	*	*
07A3-7	500	6.6	6.3	5.3
09A8-7	500	8.8	8.4	6.6
14A2-7	500	12.8	12.2	8.8
018A-7	500	16	15	13
022A-7	500	20	19	16
026A-7	500	23	22	20
035A-7	500	32	30	23
042A-7	500	38	36	32
049A-7	500	44	42	38
061A-7	500	44	42	40
084A-7	500	53	50	44
098A-7	500	68	65	53
119A-7	500	83	79	68
142A-7	500	83	79	72
174A-7	500	96	91	83
210A-7	500	101	96	83
271A-7	500	130	124	101

3AXD00000588487

f	Output frequency
$f_{\max}$	Maximum output frequency with High speed mode
$U_N$	Nominal voltage of the drive
$I_N$	Continuous rms output current. No overload capability at 40 °C (104 °F)
$P_N$	Typical motor power in no-overload use.

$I_{Ld}$	Continuous rms output current allowing 10% overload for 1 minute every 5 minutes
$I_{Hd}$	Continuous rms output current allowing 50% overload for 1 minute every 5 minutes * Continuous rms output current allowing 40% overload for 1 minute every 5 minutes ** Continuous rms output current allowing 25% overload for 1 minute every 5 minutes
*	Contact ABB

## Fuses (IEC)

gG and aR fuses for protection against short-circuit in the input power cable or drive are listed below. Either fuse type can be used for frames R1 to R9 if it operates rapidly enough. The operating time depends on the supply network impedance and the cross-sectional area and length of the supply cable.

For frames R7 to R9 ABB recommends ultra-rapid (aR) fuses, see section [Quick guide for selecting between gG and aR fuses](#) on page 180.

**Note 1:** See also [Implementing thermal overload and short-circuit protection](#) on page 78.

**Note 2:** Fuses with higher current rating than the recommended ones must not be used. Fuses with lower current rating can be used.

**Note 3:** Fuses from other manufacturers can be used if they meet the ratings and the melting curve of the fuse does not exceed the melting curve of the fuse mentioned in the table.

### ■ aR fuses (frames R1 to R9)

Ultrarapid (aR) fuses (one fuse per phase)								
Drive type ACS880-01-	Min. short-circuit current <sup>1)</sup> (A)	Input current (A)	Fuse					
			A	A <sup>2</sup> s	V	Manufacturer	Type	Type IEC 60269
$U_N = 230\text{ V}$								
04A6-2	30	4.6	16	48	690	Bussmann	170M1559	000
06A6-2	30	6.6	16	48	690	Bussmann	170M1559	000
07A5-2	30	7.5	16	48	690	Bussmann	170M1559	000
10A6-2	53	10.6	20	78	690	Bussmann	170M1560	000
16A8-2	65	16.8	25	130	690	Bussmann	170M1561	000
24A3-2	120	24.3	40	460	690	Bussmann	170M1563	000
031A-2	160	31.0	63	1450	690	Bussmann	170M1565	000
046A-2	280	46	80	2550	690	Bussmann	170M1566	000
061A-2	300	61	125	8500	690	Bussmann	170M1568	000

Ultrarapid (aR) fuses (one fuse per phase)								
Drive type ACS880-01-	Min. short-circuit current <sup>1)</sup> (A)	Input current (A)	Fuse					
			A	A <sup>2</sup> s	V	Manufacturer	Type	Type IEC 60269
075A-2	380	75	200	15000	690	Busmann	170M3815	1
087A-2	500	87	250	28500	690	Busmann	170M3816	1
115A-2	700	115	315	46500	690	Busmann	170M3817	1
145A-2	1000	145	315	46500	690	Busmann	170M3817	1
170A-2	1280	170	450	105000	690	Busmann	170M5809	2
206A-2	1450	206	500	155000	690	Busmann	170M5810	2
274A-2	2050	274	630	220000	690	Busmann	170M5810	3
<b><math>U_N = 400\text{ V}</math></b>								
02A4-3	65	2.4	25	130	690	Busmann	170M1561	000
03A3-3	65	3.3	25	130	690	Busmann	170M1561	000
04A0-3	65	4.0	25	130	690	Busmann	170M1561	000
05A6-3	65	5.6	25	130	690	Busmann	170M1561	000
07A2-3	65	8.0	25	130	690	Busmann	170M1561	000
09A4-3	65	10.0	25	130	690	Busmann	170M1561	000
12A6-3	65	12.9	25	130	690	Busmann	170M1561	000
017A-3	120	17	40	460	690	Busmann	170M1563	000
025A-3	120	25	40	460	690	Busmann	170M1563	000
032A-3	170	32	63	1450	690	Busmann	170M1565	000
038A-3	170	38	63	1450	690	Busmann	170M1565	000
045A-3	280	45	80	2550	690	Busmann	170M1566	000
061A-3	380	61	100	4650	690	Busmann	170M1567	000
072A-3	480	72	125	8500	690	Busmann	170M1568	000
087A-3	480	87	160	16000	690	Busmann	170M1569	000
105A-3	1280	105	315	46500	690	Busmann	170M3817	1
145A-3	1280	145	315	46500	690	Busmann	170M3817	1
169A-3	1800	169	450	105000	690	Busmann	170M5809	2
206A-3	2210	206	500	145000	690	Busmann	170M5810	2
246A-3	3010	246	630	275000	690	Busmann	170M5812	2
293A-3	4000	293	800	490000	690	Busmann	170M6812D	3
363A-3	5550	363	1000	985000	690	Busmann	170M6814D	3
430A-3	7800	430	1250	2150000	690	Busmann	170M8554D	3
<b><math>U_N = 500\text{ V}</math></b>								
02A1-5	65	2.1	25	130	690	Busmann	170M1561	000
03A0-5	65	3.0	25	130	690	Busmann	170M1561	000
03A4-5	65	3.4	25	130	690	Busmann	170M1561	000
04A8-5	65	4.8	25	130	690	Busmann	170M1561	000
05A2-5	65	5.2	25	130	690	Busmann	170M1561	000

Ultrarapid (aR) fuses (one fuse per phase)								
Drive type ACS880-01-	Min. short-circuit current <sup>1)</sup> (A)	Input current (A)	Fuse					
			A	A <sup>2</sup> s	V	Manufacturer	Type	Type IEC 60269
07A6-5	65	7.6	25	130	690	Bussmann	170M1561	000
11A0-5	65	11.0	25	130	690	Bussmann	170M1561	000
014A-5	120	14	40	460	690	Bussmann	170M1563	000
021A-5	120	21	40	460	690	Bussmann	170M1563	000
027A-5	170	27	63	1450	690	Bussmann	170M1565	000
034A-5	170	34	63	1450	690	Bussmann	170M1565	000
040A-5	280	40	80	2550	690	Bussmann	170M1566	000
052A-5	300	52	100	4650	690	Bussmann	170M1567	000
065A-5	480	65	125	8500	690	Bussmann	170M1568	000
077A-5	480	77	160	16000	690	Bussmann	170M1569	000
096A-5	1000	96	250	28500	690	Bussmann	170M3816	1
124A-5	1280	124	315	46500	690	Bussmann	170M3817	1
156A-5	1610	156	400	74000	690	Bussmann	170M5808	2
180A-5	2210	180	500	155000	690	Bussmann	170M5810	2
240A-5	2620	240	550	190000	690	Bussmann	170M5811	2
260A-5	4000	260	800	490000	690	Bussmann	170M6812D	3
361A-5	5550	361	1000	985000	690	Bussmann	170M6814D	3
414A-5	7800	414	1250	2150000	690	Bussmann	170M8554D	3
<b>U<sub>N</sub> = 690 V</b>								
07A4-7	40	7.4	16	48	690	Bussmann	170M1559	000
09A9-7	53	9.9	20	78	690	Bussmann	170M1560	000
14A3-7	94	14.3	32	270	690	Bussmann	170M1562	000
019A-7	120	19	40	460	690	Bussmann	170M1563	000
023A-7	160	23	50	770	690	Bussmann	170M1564	000
027A-7	160	27	50	770	690	Bussmann	170M1564	000
07A3-7	40	7.3	16	48	690	Bussmann	170M1559	000
09A8-7	53	9.8	20	78	690	Bussmann	170M1560	000
14A2-7	94	14.2	32	270	690	Bussmann	170M1562	000
018A-7	120	18	40	460	690	Bussmann	170M1563	000
022A-7	160	22	50	770	690	Bussmann	170M1564	000
026A-7	160	26	50	770	690	Bussmann	170M1564	000
035A-7	170	35	63	1450	690	Bussmann	170M1565	000
042A-7	280	42	80	2550	690	Bussmann	170M1566	000
049A-7	280	49	80	2550	690	Bussmann	170M1566	000
061A-7	480	61	125	8500	690	Bussmann	170M1568	000
084A-7	700	84	160	16000	690	Bussmann	170M1569	000
098A-7	1610	98	400	74000	690	Bussmann	170M3816	2

Ultrarapid (aR) fuses (one fuse per phase)								
Drive type ACS880-01-	Min. short-circuit current <sup>1)</sup> (A)	Input current (A)	Fuse					
			A	A <sup>2</sup> s	V	Manufacturer	Type	Type IEC 60269
119A-7	1610	119	400	74000	690	Bussmann	170M3816	2
142A-7	2210	142	500	145000	690	Bussmann	170M5810	2
174A-7	2210	174	500	145000	690	Bussmann	170M5810	2
210A-7	3200	210	700	320000	690	Bussmann	170M6811D	3
271A-7	3200	271	700	320000	690	Bussmann	170M6811D	3

<sup>1)</sup> minimum short-circuit current of the installation



**■ gG fuses (frames R1 to R9)**

**Check on the fuse time-current curve to ensure the operating time of the fuse is below 0.5 seconds. Obey the local regulations.**

gG fuses (one fuse per phase)								
Drive type ACS880-01...	Min. short-circuit current <sup>1)</sup>	Input current	Fuse					
			A	A	A	A <sup>2</sup> s	V	Manufacturer
<b>U<sub>N</sub> = 230 V</b>								
04A6-2	40	4.6	6	110	500	ABB	OFAF000H6	000
06A6-2	80	6.6	10	360	500	ABB	OFAF000H10	000
07A5-2	120	7.5	16	740	500	ABB	OFAF000H16	000
10A6-2	120	10.6	16	740	500	ABB	OFAF000H16	000
16A8-2	200	16.8	25	2500	500	ABB	OFAF000H25	000
24A3-2	350	24.3	40	7700	500	ABB	OFAF000H40	000
031A-2	400	31.0	50	16000	500	ABB	OFAF000H50	000
046A-2	500	46	63	20100	500	ABB	OFAF000H63	000
061A-2	800	61	80	37500	500	ABB	OFAF000H80	000
075A-2	1000	75	100	65000	500	ABB	OFAF000H100	000
087A-2	1300	87	125	100000	500	ABB	OFAF000H125	00
115A-2	1700	115	160	170000	500	ABB	OFAF000H160	00
145A-2	2300	145	200	300000	500	ABB	OFAF0H200	0
170A-2	3300	170	250	600000	500	ABB	OFAF0H250	0
206A-2	5500	206	315	710000	500	ABB	OFAF1H315	1
274A-2	7000	274	400	1100000	500	ABB	OFAF2H400	2
<b>U<sub>N</sub> = 400 V</b>								
02A4-3	17	2.4	4	53	500	ABB	OFAF000H4	000
03A3-3	40	3.3	6	110	500	ABB	OFAF000H6	000
04A0-3	40	4.0	6	110	500	ABB	OFAF000H6	000
05A6-3	80	5.6	10	355	500	ABB	OFAF000H10	000
07A2-3	80	8.0	10	355	500	ABB	OFAF000H10	000
09A4-3	120	10.0	16	700	500	ABB	OFAF000H16	000
12A6-3	120	12.9	16	700	500	ABB	OFAF000H16	000
017A-3	200	17	25	2500	500	ABB	OFAF000H25	000
025A-3	250	25	32	4500	500	ABB	OFAF000H32	000
032A-3	350	32	40	7700	500	ABB	OFAF000H40	000
038A-3	400	38	50	15400	500	ABB	OFAF000H50	000
045A-3	500	45	63	21300	500	ABB	OFAF000H63	000
061A-3	800	61	80	37000	500	ABB	OFAF000H80	000
072A-3	1000	72	100	63600	500	ABB	OFAF000H100	000

gG fuses (one fuse per phase)								
Drive type ACS880-01...	Min. short-circuit current <sup>1)</sup>	Input current	Fuse					
			A	A	A	A <sup>2</sup> s	V	Manufacturer
087A-3	1000	87	100	63600	500	ABB	OFAF000H100	000
105A-3	1300	105	125	103000	500	ABB	OFAF00H125	00
145A-3	1700	145	160	185000	500	ABB	OFAF00H160	00
169A-3	3300	169	250	600000	500	ABB	OFAF0H250	0
206A-3	5500	206	315	710000	500	ABB	OFAF1H315	1
246A-3	6400	246	355	920000	500	ABB	OFAF1H355	1
293A-3	7800	293	425	1300000	500	ABB	OFAF2H425	2
363A-3	9400	363	500	2000000	500	ABB	OFAF2H500	2
430A-3	10200	430	630	2800000	500	ABB	OFAF3H630	3
<b><math>U_N = 500 \text{ V}</math></b>								
02A1-5	17	2.1	4	53	500	ABB	OFAF000H4	000
03A0-5	40	3.0	6	110	500	ABB	OFAF000H6	000
03A4-5	40	3.4	6	110	500	ABB	OFAF000H6	000
04A8-5	80	4.8	10	355	500	ABB	OFAF000H10	000
05A2-5	80	5.2	10	355	500	ABB	OFAF000H10	000
07A6-5	120	7.6	16	700	500	ABB	OFAF000H16	000
11A0-5	120	11.0	16	700	500	ABB	OFAF000H16	000
014A-5	200	14	25	2500	500	ABB	OFAF000H25	000
021A-5	250	21	32	4500	500	ABB	OFAF000H32	000
027A-5	350	27	40	7700	500	ABB	OFAF000H40	000
034A-5	400	34	50	15400	500	ABB	OFAF000H50	000
040A-5	500	40	63	21300	500	ABB	OFAF000H63	000
052A-5	800	52	80	37000	500	ABB	OFAF000H80	000
065A-5	1000	65	100	63600	500	ABB	OFAF000H100	000
077A-5	1000	77	100	63600	500	ABB	OFAF000H100	000
096A-5	1300	96	125	103000	500	ABB	OFAF00H125	00
124A-5	1700	124	160	185000	500	ABB	OFAF00H160	00
156A-5	3300	156	250	600000	500	ABB	OFAF0H250	0
180A-5	5500	180	315	710000	500	ABB	OFAF1H315	1
240A-5	6400	240	355	920000	500	ABB	OFAF1H355	1
260A-5	7000	260	400	1100000	500	ABB	OFAF2H400	2
361A-5	10200	361	630	2800000	500	ABB	OFAF3H630	3
414A-5	10200	414	630	2800000	500	ABB	OFAF3H630	3
<b><math>U_N = 690 \text{ V}</math></b>								
07A4-7	115	7.4	16	1200	690	ABB	OFAA000GG16	000
09A9-7	145	9.9	20	2400	690	ABB	OFAA000GG20	000

gG fuses (one fuse per phase)								
Drive type ACS880-01...	Min. short-circuit current <sup>1)</sup>	Input current	Fuse					
			A	A	A	A <sup>2</sup> s	V	Manufacturer
14A3-7	190	14.3	25	4000	690	ABB	OFAA000GG25	000
019A-7	280	19	35	12000	690	ABB	OFAA000GG35	000
023A-7	450	23	50	24000	690	ABB	OFAA000GG50	000
027A-7	450	27	50	24000	690	ABB	OFAA000GG50	000
07A3-7	115	7.3	16	1200	690	ABB	OFAA000GG16	000
09A8-7	145	9.8	20	2400	690	ABB	OFAA000GG20	000
14A2-7	190	14.2	25	4000	690	ABB	OFAA000GG25	000
018A-7	280	18	35	12000	690	ABB	OFAA000GG35	000
022A-7	450	22	50	24000	690	ABB	OFAA000GG50	000
026A-7	450	26	50	24000	690	ABB	OFAA000GG50	000
035A-7	520	35	63	30000	690	ABB	OFAA000GG63	000
042A-7	800	42	80	51000	690	ABB	OFAA0GG80	0
049A-7	800	49	80	51000	690	ABB	OFAA0GG80	0
061A-7	1050	61	100	95000	690	ABB	OFAA0GG100	0
084A-7	1700	84	160	240000	690	ABB	OFAA1GG160	1
098A-7	1700	98	160	240000	690	ABB	OFAA1GG160	1
119A-7	2200	119	200	350000	690	ABB	OFAA1GG200	1
142A-7	3200	142	250	700000	690	ABB	OFAA1GG250	1
174A-7	5500	174	315	850000	690	ABB	OFAA2GG315	2
210A-7	7000	210	400	1300000	690	ABB	OFAA3GG400	3
271A-7	7000	271	400	1300000	690	ABB	OFAA3GG400	3

<sup>1)</sup> minimum short-circuit current of the installation

## ■ Quick guide for selecting between gG and aR fuses

The combinations (cable size, cable length, transformer size and fuse type) in this table fulfil the minimum requirements for the proper operation of the fuse. Use this table to select between gG and aR fuses or calculate the short-circuit current of the installation as described under [Calculating the short-circuit current of the installation](#) on page 183).

Drive type ACS880- 01...	Cable type		Supply transformer minimum apparent power $S_N$ (kVA)					
	Copper	Aluminum	Maximum cable length with gG fuses			Maximum cable length with aR fuses		
	mm <sup>2</sup>	mm <sup>2</sup>	10 m	50 m	100 m	10 m	100 m	200 m
$U_N = 230\text{ V}$								
04A6-2	3×1.5	-	1.1	1.1	-	1.1	1.2	-
06A6-2	3×1.5	-	2.2	2.4	-	1.1	1.2	-
07A5-2	3×1.5	-	3.3	4.3	-	1.1	1.2	-
10A6-2	3×1.5	-	3.3	4.3	-	1.5	1.8	-
16A8-2	3×6	-	5.5	5.8	-	1.8	1.8	-
24A3-2	3×6	-	9.7	11	-	3.3	3.5	-
031A-2	3×10	-	11	12	-	4.4	4.6	-
046A-2	3×16	3×35	14	15	-	7.7	8.2	-
061A-2	3×25	3×35	22	24	-	8.3	8.6	-
075A-2	3×35	3×50	28	29	-	11	11	-
087A-2	3×35	3×70	36	39	-	14	15	-
115A-2	3×50	3×70	48	52	-	19	21	-
145A-2	3×95	3×120	64	70	-	28	30	-
170A-2	3×120	3×150	93	104	-	36	39	-
206A-2	3×150	3×240	158	194	-	40	45	-
274A-2	2×(3×95)	2×(3×120)	198	229	-	57	62	-
$U_N = 400\text{ V}$								
02A4-3	3×1.5	-	0.82	0.82	0.82	3.1	3.4	5.0
03A3-3	3×1.5	-	1.9	1.9	2.0	3.1	3.4	5.0
04A0-3	3×1.5	-	1.9	1.9	2.0	3.1	3.4	5.0
05A6-3	3×1.5	-	3.8	4.0	4.4	3.1	3.4	5.0
07A2-3	3×1.5	-	3.8	4.0	4.4	3.1	3.4	5.0
09A4-3	3×1.5	-	5.8	6.2	8.4	3.1	3.4	5.0
12A6-3	3×1.5	-	5.8	6.2	8.4	3.1	3.4	5.0
017A-3	3×6	-	9.6	9.8	10	5.8	5.9	6.2
025A-3	3×6	-	12	12	13	5.8	5.9	6.2
032A-3	3×10	-	17	17	18	8.2	8.3	8.7
038A-3	3×10	-	19	20	21	8.2	8.3	8.7
045A-3	3×16	3×25	24	24	26	13	14	15
061A-3	3×25	3×25	39	39	42	18	19	20

Drive type ACS880- 01...	Cable type		Supply transformer minimum apparent power $S_N$ (kVA)					
	Copper	Aluminum	Maximum cable length with gG fuses			Maximum cable length with aR fuses		
	mm <sup>2</sup>	mm <sup>2</sup>	10 m	50 m	100 m	10 m	100 m	200 m
072A-3	3×35	3×35	48	49	52	23	24	25
087A-3	3×35	3×50	48	49	52	34	35	38
105A-3	3×50	3×70	63	65	68	62	67	80
145A-3	3×95	3×95	82	85	88	62	65	70
169A-3	3×120	3×150	160	170	187	87	93	104
206A-3	3×150	3×185	269	298	357	107	116	132
246A-3	2×(3×70)	2×(3×95)	311	335	393	145	157	180
293A-3	2×(3×95)	2×(3×120)	380	411	478	193	211	248
363A-3	2×(3×120)	2×(3×185)	459	502	591	269	304	378
430A-3	2×(3×150)	2×(3×240)	499	547	641	380	452	634
<b><math>U_N = 500</math> V</b>								
02A1-5	3×1.5	-	1.0	1.0	1.0	3.9	4.1	5.0
03A0-5	3×1.5	-	2.4	2.4	2.4	3.9	4.1	5.0
03A4-5	3×1.5	-	2.4	2.4	2.4	3.9	4.1	5.0
04A8-5	3×1.5	-	4.8	4.9	5.2	3.9	4.1	5.0
05A2-5	3×1.5	-	4.8	4.9	5.2	3.9	4.1	5.0
07A6-5	3×1.5	-	7.2	7.5	8.9	3.9	4.1	5.0
11A0-5	3×1.5	-	7.2	7.5	8.9	3.9	4.1	5.0
014A-5	3×6	-	12	12	12	7.2	7.3	7.6
021A-5	3×6	-	15	15	16	7.2	7.3	7.6
027A-5	3×10	-	21	21	22	10	10	11
034A-5	3×10	-	24	24	25	10	10	11
040A-5	3×16	3×35	30	30	31	17	17	18
052A-5	3×25	3×35	48	49	51	18	18	19
065A-5	3×35	3×50	60	61	63	29	29	30
077A-5	3×35	3×70	60	61	63	42	43	46
096A-5	3×50	3×70	78	80	83	60	63	67
124A-5	3×95	3×120	103	105	108	77	80	85
156A-5	3×120	3×150	200	209	224	97	102	109
180A-5	3×150	3×240	335	362	411	133	143	156
240A-5	2×(3×70)	2×(3×95)	388	410	456	158	165	179
260A-5	2×(3×70)	2×(3×95)	425	452	512	242	262	307
361A-5	2×(3×120)	2×(3×185)	621	669	763	336	368	427
414A-5	2×(3×150)	2×(3×240)	621	666	747	473	539	674
<b><math>U_N = 690</math> V</b>								
07A4-7	3×1.5	-	9.5	9.5	9.5	3.3	3.3	3.3
09A9-7	3×1.5	-	12	12	12	4.4	4.4	4.4

Drive type ACS880- 01...	Cable type		Supply transformer minimum apparent power $S_N$ (kVA)					
	Copper	Aluminum	Maximum cable length with gG fuses			Maximum cable length with aR fuses		
	mm <sup>2</sup>	mm <sup>2</sup>	10 m	50 m	100 m	10 m	100 m	200 m
14A3-7	3×2.5	-	16	16	16	7.8	7.8	7.8
019A-7	3×4	-	23	23	23	9.9	10	10
023A-7	3×6	-	37	37	38	13	13	13
027A-7	3×10	-	37	37	38	13	13	13
07A3-7	3×1.5	-	9.5	9.5	9.5	3.3	3.3	3.3
09A8-7	3×1.5	-	12	12	12	4.4	4.4	4.4
14A2-7	3×2.5	-	16	16	16	7.8	7.8	7.8
018A-7	3×4	-	23	23	23	9.9	10	10
022A-7	3×6	-	37	37	38	13	13	13
026A-7	3×10	3×25	37	37	38	13	13	13
035A-7	3×10	3×25	43	43	44	14	14	14
042A-7	3×16	3×25	66	67	68	23	23	24
049A-7	3×16	3×25	66	67	68	23	23	24
061A-7	3×25	3×35	87	88	90	40	40	41
084A-7	3×35	3×50	141	141	149	58	59	61
098A-7	3×50	3×70	141	143	146	134	138	145
119A-7	3×70	3×95	183	187	192	134	138	145
142A-7	3×95	3×120	267	275	286	184	192	205
174A-7	3×120	3×185	452	476	515	184	192	205
210A-7	3×185	2×(3×95)	584	608	654	266	277	295
271A-7	3×240	2×(3×120)	584	605	640	266	275	289

## ■ Calculating the short-circuit current of the installation

Check that the short-circuit current of the installation is at least the value given in the fuse table.

The short-circuit current of the installation can be calculated as follows:

$$I_{k2-ph} = \frac{U}{2 \cdot \sqrt{R_c^2 + (Z_k + X_c)^2}}$$

where

$I_{k2-ph}$  = short-circuit current in symmetrical two-phase short-circuit

$U$  = network line-to-line voltage (V)

$R_c$  = cable resistance (ohm)

$Z_k = z_k \cdot U_N^2 / S_N$  = transformer impedance (ohm)

$z_k$  = transformer impedance (%)

$U_N$  = transformer rated voltage (V)

$S_N$  = nominal apparent power of the transformer (kVA)

$X_c$  = cable reactance (ohm).

### Calculation example

Drive:

- ACS880-01-145A-3
- supply voltage = 410 V

Transformer:

- rated power  $S_N = 600$  kVA
- rated voltage (drive supply voltage)  $U_N = 430$  V
- transformer impedance  $z_k = 7.2\%$ .

Supply cable:

- length = 170 m
- resistance/length = 0.398 ohm/km
- reactance/length = 0.082 ohm/km.

$$Z_k = z_k \cdot \frac{U_N^2}{S_N} = 0.072 \cdot \frac{(430 \text{ V})^2}{600 \text{ kVA}} = 22.19 \text{ mohm}$$

$$R_c = 170 \text{ m} \cdot 0.398 \frac{\text{ohm}}{\text{km}} = 67.66 \text{ mohm}$$

$$X_c = 170 \text{ m} \cdot 0.082 \frac{\text{ohm}}{\text{km}} = 13.94 \text{ mohm}$$

$$I_{k2\text{-ph}} = \frac{410 \text{ V}}{2 \cdot \sqrt{(67.66 \text{ mohm})^2 + (22.19 \text{ mohm} + 13.94 \text{ mohm})^2}} = 2.7 \text{ kA}$$

The calculated short-circuit current 2.7 kA is higher than the minimum short-circuit current of the drive gG fuse type OFAF00H160 (1700 A). -> The 500 V gG fuse (ABB Control OFAF00H160) can be used.

## Fuses (UL)

UL class T fuses for branch circuit protection per NEC are listed below. Fast acting class T or faster fuses are recommended in the USA. **Check on the fuse time-current curve to ensure the operating time of the fuse is below 0.5 seconds for units of frame sizes R1 to R6 and below 0.1 seconds for units of frame sizes R7 to R9. Obey local regulations.**

**Note 1:** See also [Implementing thermal overload and short-circuit protection](#) on page 78.

**Note 2:** Fuses with higher current rating than the recommended ones must not be used. Fuses with lower current rating can be used.

**Note 3:** Fuses from other manufacturers can be used if they meet the ratings and the melting curve of the fuse does not exceed the melting curve of the fuse mentioned in the table.



Drive type ACS880-01...	Input current A	Fuse (one fuse per phase)				
		A	V	Manufacturer	Type	UL class
<b><math>U_N = 230\text{ V}</math></b>						
04A6-2	4.4	15	600	Bussmann	JJS-15	T
06A6-2	6.3	15	600	Bussmann	JJS-15	T
07A5-2	7.1	15	600	Bussmann	JJS-15	T
10A6-2	10.1	20	600	Bussmann	JJS-20	T
16A8-2	16.0	25	600	Bussmann	JJS-25	T
24A3-2	23.1	40	600	Bussmann	JJS-40	T
031A-2	29.3	50	600	Bussmann	JJS-50	T
046A-2	44	80	600	Bussmann	JJS-80	T
061A-2	58	100	600	Bussmann	JJS-100	T
075A-2	71	125	600	Bussmann	JJS-125	T
087A-2	83	125	600	Bussmann	JJS-125	T
115A-2	109	150	600	Bussmann	JJS-150	T
145A-2	138	200	600	Bussmann	JJS-200	T
170A-2	162	250	600	Bussmann	JJS-250	T
206A-2	196	300	600	Bussmann	JJS-300	T
274A-2	260	400	600	Bussmann	JJS-400	T
<b><math>U_N = 460\text{ V}</math></b>						
02A1-5	2.1	3	600	Bussmann	JJS-3	T
03A0-5	3.0	6	600	Bussmann	JJS-6	T
03A4-5	3.4	6	600	Bussmann	JJS-6	T
04A8-5	4.8	10	600	Bussmann	JJS-10	T
05A2-5	5.2	10	600	Bussmann	JJS-10	T
07A6-5	7.6	15	600	Bussmann	JJS-15	T
11A0-5	11	20	600	Bussmann	JJS-20	T
014A-5	14	25	600	Bussmann	JJS-25	T
021A-5	21	35	600	Bussmann	JJS-35	T
027A-5	27	40	600	Bussmann	JJS-40	T
034A-5	34	50	600	Bussmann	JJS-50	T
040A-5	40	60	600	Bussmann	JJS-60	T
052A-5	52	80	600	Bussmann	JJS-80	T
065A-5	65	90	600	Bussmann	JJS-90	T
077A-5	77	110	600	Bussmann	JJS-110	T
096A-5	96	150	600	Bussmann	JJS-150	T
124A-5	124	200	600	Bussmann	JJS-200	T
156A-5	156	225	600	Bussmann	JJS-225	T
180A-5	180	300	600	Bussmann	JJS-300	T
240A-5	240	350	600	Bussmann	JJS-350	T
260A-5	260	400	600	Bussmann	JJS-400	T

Drive type ACS880-01...	Input current A	Fuse (one fuse per phase)				
		A	V	Manufacturer	Type	UL class
302A-5	302	400	600	Bussmann	JJS-400	T
361A-5	361	500	600	Bussmann	JJS-500	T
414A-5	414	600	600	Bussmann	JJS-600	T
$U_N = 575 \text{ V}$						
07A4-7	7.0	15	600	Bussmann	JJS-15	T
09A9-7	9.4	20	600	Bussmann	JJS-20	T
14A3-7	13.6	30	600	Bussmann	JJS-30	T
019A-7	18	40	600	Bussmann	JJS-40	T
023A-7	22	50	600	Bussmann	JJS-50	T
027A-7	27	50	600	Bussmann	JJS-50	T
07A3-7	9.0	15	600	Bussmann	JJS-15	T
09A8-7	11	20	600	Bussmann	JJS-20	T
14A2-7	17	30	600	Bussmann	JJS-30	T
018A-7	22	40	600	Bussmann	JJS-40	T
022A-7	27	50	600	Bussmann	JJS-50	T
026A-7	32	50	600	Bussmann	JJS-50	T
035A-7	41	60	600	Bussmann	JJS-60	T
042A-7	52	80	600	Bussmann	JJS-80	T
049A-7	52	80	600	Bussmann	JJS-80	T
061A-7	62	110	600	Bussmann	JJS-110	T
084A-7	77	150	600	Bussmann	JJS-150	T
098A-7	99	150	600	Bussmann	JJS-150	T
119A-7	125	200	600	Bussmann	JJS-200	T
142A-7	144	250	600	Bussmann	JJS-250	T
174A-7	180	300	600	Bussmann	JJS-300	T
210A-7	242	400	600	Bussmann	JJS-400	T
271A-7	271	400	600	Bussmann	JJS-400	T

## Dimensions, weights and free space requirements

Frame	IP21					UL type 1				
	H1 mm	H2 mm	W mm	D mm	Weight kg	H1 in.	H2 in.	W in.	D in.	Weight lb
R1	409	370	155	226	7.0	16.11	14.57	6.10	8.89	15
R2	409	370	155	249	8.4	16.11	14.57	6.10	9.80	19
R3	475	420	172	261	10.8	18.71	16.54	6.77	10.28	24
R4	576	490	203	274	18.6	22.70	19.30	7.99	10.80	41
R5	730	596	203	274	22.8	28.74	23.46	7.99	10.79	50
R6	726	569	251	357	42.2	28.60	22.40	9.92	14.09	93
R7	880	600	284	365	53.0	34.70	23.60	11.22	14.37	117
R8	963	681	300	386	68.0	37.90	26.82	11.81	15.21	150
R9	955	680	380	413	95.0	37.59	26.77	14.96	16.27	209
Frame	IP55					UL type 12				
	H1 mm	H2 mm	W mm	D mm	Weight kg	H1 * in.	H3 in.	W ** in.	D in.	Weight lb
R1	450	-	162	292	8.1	17.72	-	6.38	11.50	18
R2	450	-	161	315	9.5	17.72	-	6.38	12.40	21
R3	525	-	180	327	12.0	20.70	-	7.09	12.87	26
R4	576	-	203	344	19.1	22.70	-	7.99	13.54	42
R5	730	-	203	344	23.4	28.73	-	7.99	13.54	52
R6	726	-	252	421	42.9	28.60	-	9.92	16.46	95
R7	880	-	284	423	54.0	34.66	-	11.18	16.65	119
R8	963	-	300	452	74.0	37.90	-	11.81	17.78	163
R9	955	-	380	477	102.0	37.59	-	14.96	18.78	225

H1 Height with cable entry box.

H2 Height without cable entry box (option +P940)

H3 Height with hood

W Width with cable entry box

D Depth with cable entry box

\* Hood increases height with 155 mm (6.10 in) in frames R4 to R8 and with 230 mm (9.06 in) in frame R9.

\*\* Hood increases width with 23 mm (0.91 in) in frames R4 and R5, 40 mm (1.57 in) in frames R6 and R7 and 50 mm (1.97 in) in frames R8 and R9.

**Note 1:** For more information on dimensions, see chapter [Dimension drawings](#).

**Note 2:** For dimensions and weights of option +P940 and +P944, see *ACS880-01 +P940/+P944 drives for cabinet installation supplement* (3AUA0000145446 [English]).

**Note 3:** For dimensions of option +C135, see *Flange mounting kit installation supplement* (3AXD50000019100 [English]). For the additional weight of the flange mounting kit, see the table below.

Frame	Weight of flange mounting kit (option +C135)	
	kg	lb
R1	2.9	6
R2	3.1	7
R3	4.5	10
R4	4.7	10
R5	4.7	10
R6	4.5	10
R7	5	11
R8	6	13
R9	7	15

### ■ Free space requirements

200 mm (7.87 in.) free space is required at top of the drive.

300 mm (11.81 in.) free space (when measured from the drive base without the cable entry box) is required at bottom of the drive.

## Losses, cooling data and noise

Drive type ACS880-01-	Frame	Air flow		Heat dissipation	Noise
		m <sup>3</sup> /h	ft <sup>3</sup> /min	W	dB(A)
<b>U<sub>N</sub> = 230 V</b>					
04A6-2	R1	44	26	73	46
06A6-2	R1	44	26	94	46
07A5-2	R1	44	26	122	46
10A6-2	R1	44	26	172	46
16A8-2	R2	88	52	232	51
24A3-2	R2	88	52	337	51
031A-2	R3	134	79	457	57
046A-2	R4	134	79	500	62
061A-2	R4	280	165	630	62
075A-2	R5	280	165	680	62
087A-2	R5	280	165	730	62
115A-2	R6	435	256	840	67
145A-2	R6	435	256	940	67
170A-2	R7	450	265	1260	67
206A-2	R7	450	265	1500	67
274A-2	R8	550	324	2100	65
<b>U<sub>N</sub> = 400 V</b>					
02A4-3	R1	44	26	30	46
03A3-3	R1	44	26	40	46
04A0-3	R1	44	26	52	46
05A6-3	R1	44	26	73	46
07A2-3	R1	44	26	94	46
09A4-3	R1	44	26	122	46
12A6-3	R1	44	26	172	46
017A-3	R2	88	52	232	51
025A-3	R2	88	52	337	51
032A-3	R3	134	79	457	57
038A-3	R3	134	79	562	57
045A-3	R4	134	79	667	62
061A-3	R4	280	165	907	62
072A-3	R5	280	165	1117	62
087A-3	R5	280	165	1120	62
105A-3	R6	435	256	1295	67
145A-3	R6	435	256	1440	67
169A-3	R7	450	265	1940	67
206A-3	R7	450	265	2310	67
246A-3	R8	550	324	3300	65

Drive type ACS880-01-	Frame	Air flow		Heat dissipation	Noise
		m <sup>3</sup> /h	ft <sup>3</sup> /min	W	dB(A)
293A-3	R8	550	324	3900	65
363A-3	R9	1150	677	4800	68
430A-3	R9	1150	677	6000	68
<b>U<sub>N</sub> = 500 V</b>					
02A1-5	R1	44	26	30	46
03A0-5	R1	44	26	40	46
03A4-5	R1	44	26	52	46
04A8-5	R1	44	26	73	46
05A2-5	R1	44	26	94	46
07A6-5	R1	44	26	122	46
11A0-5	R1	44	26	172	46
014A-5	R2	88	52	232	51
021A-5	R2	88	52	337	51
027A-5	R3	134	79	457	57
034A-5	R3	134	79	562	57
040A-5	R4	134	79	667	62
052A-5	R4	280	165	907	62
065A-5	R5	280	165	1117	62
077A-5	R5	280	165	1120	62
096A-5	R6	435	256	1295	67
124A-5	R6	435	256	1440	67
156A-5	R7	450	265	1940	67
180A-5	R7	450	265	2310	67
240A-5	R8	550	324	3300	65
260A-5	R8	550	324	3900	65
302A-5	R9	1150	677	4200	68
361A-5	R9	1150	677	4800	68
414A-5	R9	1150	677	6000	68
<b>U<sub>N</sub> = 690 V</b>					
07A4-7	R3	134	79	114	57
09A9-7	R3	134	79	143	57
14A3-7	R3	134	79	207	57
019A-7	R3	134	79	274	57
023A-7	R3	134	79	329	57
027A-7	R3	134	79	405	57
07A3-7	R5	280	165	217	62
09A8-7	R5	280	165	284	62
14A2-7	R5	280	165	399	62
018A-7	R5	280	165	490	62

Drive type ACS880-01-	Frame	Air flow		Heat dissipation	Noise
		m <sup>3</sup> /h	ft <sup>3</sup> /min	W	dB(A)
022A-7	R5	280	165	578	62
026A-7	R5	280	165	660	62
035A-7	R5	280	165	864	62
042A-7	R5	280	165	998	62
049A-7	R5	280	165	1120	62
061A-7	R6	435	256	1295	67
084A-7	R6	435	256	1440	67
098A-7	R7	450	265	1940	67
119A-7	R7	450	265	2310	67
142A-7	R8	550	324	3300	65
174A-7	R8	550	324	3900	65
210A-7	R9	1150	677	4200	68
271A-7	R9	1150	677	4800	68

**■ Cooling air flow and heat dissipation for flange mounting (option +C135)**

Drive type ACS880-01-	Frame	Air flow (option +C135)		Heat dissipation (option +C135)	
		Heatsink	Front	Heatsink	Front
		m <sup>3</sup> /h	m <sup>3</sup> /h	W	W
<b>U<sub>N</sub> = 230 V</b>					
04A6-2	R1	44	9	57	16
06A6-2	R1	44	9	76	18
07A5-2	R1	44	9	101	21
10A6-2	R1	44	9	146	26
16A8-2	R2	88	16	195	37
24A3-2	R2	88	16	290	47
031A-2	R3	134	22	393	64
046A-2	R4	134	32	423	77
061A-2	R4	280	32	540	90
075A-2	R5	280	42	567	113
087A-2	R5	280	42	612	118
115A-2	R6	435	52	711	129
145A-2	R6	435	52	801	139
170A-2	R7	450	75	1089	171
206A-2	R7	450	75	1305	195
274A-2	R8	550	120	1845	255
<b>U<sub>N</sub> = 400 V</b>					
02A4-3	R1	44	9	18	12

Drive type ACS880-01-	Frame	Air flow (option +C135)		Heat dissipation (option +C135)	
		Heatsink	Front	Heatsink	Front
		m <sup>3</sup> /h	m <sup>3</sup> /h	W	W
03A3-3	R1	44	9	27	13
04A0-3	R1	44	9	38	14
05A6-3	R1	44	9	57	16
07A2-3	R1	44	9	76	18
09A4-3	R1	44	9	101	21
12A6-3	R1	44	9	146	26
017A-3	R2	88	16	195	37
025A-3	R2	88	16	290	47
032A-3	R3	134	22	393	64
038A-3	R3	134	22	488	74
045A-3	R4	134	32	573	94
061A-3	R4	280	32	789	118
072A-3	R5	280	42	960	157
087A-3	R5	280	42	963	157
105A-3	R6	435	52	1121	175
145A-3	R6	435	52	1251	189
169A-3	R7	450	75	1701	239
206A-3	R7	450	75	2034	276
246A-3	R8	550	120	2925	375
293A-3	R8	550	120	3465	435
363A-3	R9	1150	170	4275	525
430A-3	R9	1150	170	5355	645
<b>U<sub>N</sub> = 500 V</b>					
02A1-5	R1	44	9	18	12
03A0-5	R1	44	9	27	13
03A4-5	R1	44	9	38	14
04A8-5	R1	44	9	57	16
05A2-5	R1	44	9	76	18
07A6-5	R1	44	9	101	21
11A0-5	R1	44	9	146	26
014A-5	R2	88	16	195	37
021A-5	R2	88	16	290	47
027A-5	R3	134	22	393	64
034A-5	R3	134	22	488	74
040A-5	R4	134	32	573	94
052A-5	R4	280	32	789	118
065A-5	R5	280	42	960	157
077A-5	R5	280	42	963	157



Drive type ACS880-01-	Frame	Air flow (option +C135)		Heat dissipation (option +C135)	
		Heatsink	Front	Heatsink	Front
		m <sup>3</sup> /h	m <sup>3</sup> /h	W	W
096A-5	R6	435	52	1121	175
124A-5	R6	435	52	1251	189
156A-5	R7	450	75	1701	239
180A-5	R7	450	75	2034	276
240A-5	R8	550	120	2925	375
260A-5	R8	550	120	3465	435
302A-5	R9	1150	170	3735	465
361A-5	R9	1150	170	4275	525
414A-5	R9	1150	170	5355	645
<b>U<sub>N</sub> = 690 V</b>					
07A4-7	R3	134	22	68	46
09A9-7	R3	134	22	92	51
14A3-7	R3	134	22	140	67
019A-7	R3	134	22	186	88
023A-7	R3	134	22	238	91
027A-7	R3	134	22	293	112
07A3-7	R5	280	42	150	67
09A8-7	R5	280	42	211	73
14A2-7	R5	280	42	314	85
018A-7	R5	280	42	396	94
022A-7	R5	280	42	475	103
026A-7	R5	280	42	549	111
035A-7	R5	280	42	733	131
042A-7	R5	280	42	854	145
049A-7	R5	280	42	963	157
061A-7	R6	435	52	1121	175
084A-7	R6	435	52	1251	189
098A-7	R7	450	75	1701	239
119A-7	R7	450	75	2034	276
142A-7	R8	550	120	2925	375
174A-7	R8	550	120	3465	435
210A-7	R9	1150	170	3735	465
271A-7	R9	1150	170	4275	525

## Terminal and lead-through data for the power cables

### ■ IEC

Input, motor, resistor and DC cable terminal screw sizes, accepted wire sizes (per phase) and tightening torques ( $T$ ) are given below.  $l$  denotes stripping length inside the terminal.

Frame	Cable lead-throughs		L1, L2, L3, T1/U, T2/V, T3/W						Grounding terminals	
		$\varnothing^*$	Wire size	$T$ (Wire screw)		$l$	$T$ (Terminal nut)		Max. wire size	$T$
	pcs	mm	mm <sup>2</sup>	M...	N·m	mm	M...	N·m	mm <sup>2</sup>	N·m
R1	2	17	0.75...6	-	0.6	8	-	-	25	1.8
R2	2	17	0.75...6	-	0.6	8	-	-	25	1.8
R3	2	21	0.5...16	-	1.7	10	-	-	25	1.8
R4	2	24	0.5...35	-	3.3	18	-	-	25	2.9
R5	2	32	6...70	M8	15	18	-	-	35	2.9
R6	2	45	25...150	M10	30	30	-	-	185	9.8
R7	2	54	95...240 (25...150**)	M10	40 (30**)	30	-	-	185	9.8
R8	4	45	2 × (50...150)	M10	40	30	M10	24	2×185	9.8
R9	4	54	2 × (95...240)	M12	70	30	M10	24	2×185	9.8

Frame	Cable lead-throughs		R-, R+/UDC+ and UDC- terminals					
		$\varnothing^*$	Wire size	$T$ (Wire screw)		$l$	$T$ (Terminal nut)	
	pcs	mm	mm <sup>2</sup>	M...	N·m	mm	M...	N·m
R1	1	17	0.75...6	-	0.6	8	-	-
R2	1	17	0.75...6	-	0.6	8	-	-
R3	1	21	0.5...16	-	1.7	10	-	-
R4	1	24	0.5...35	-	3.3	18	-	-
R5	1	32	6...70	M8	15	18	-	-
R6	1	35	25...95	M8	20	30	-	-
R7	1	43	25...150	M10	30	30	-	-
R8	2	45	2 × (50...150)	M10	40	30	M8	24
R9	2	54	2 × (95...240)	M12	70	30	M8	24

\* maximum cable diameter accepted. For the lead-through plate hole diameters, see chapter [Dimension drawings](#).

\*\* 525...690 V drives

**Note:** When you use a cable size smaller than what is accepted by the terminal, remove the terminal and use suitable cable lugs for connecting the cable directly under the head of the bolt.

■ US

Input, motor, resistor and DC cable terminal screw sizes, accepted wire sizes (per phase) and tightening torques ( $T$ ) in US units are given below.  $l$  denotes stripping length inside the terminal.

Frame	Cable lead-throughs		L1, L2, L3, T1/U, T2/V, T3/W						Grounding terminals	
	pcs	$\varnothing^*$	Wire size	$T$ (Wire screw)		$l$	$T$ (Terminal nut)		Max. wire size	
		in.		M...	lbf-ft		in.	M...		
R1	2	0.67	18...10	-	0.44	0.31	-	-	4	1.3
R2	2	0.67	18...10	-	0.44	0.31	-	-	4	1.3
R3	2	0.83	20...6	-	1.25	0.39	-	-	4	1.3
R4	2	0.94	20...2	-	2.4	0.70	-	-	4	2.1
R5	2	1.26	10...2/0	M8	11	0.70	-	-	2	2.1
R6	2	1.77	4...300 MCM	M10	22.1	1.18	-	-	350 MCM	7.2
R7	2	2.13	3/0...400 MCM (4...300 MCM)	M10	29.5 (22.1**)	1.18	-	-	350 MCM	7.2
R8	4	1.77	2 × (1/0...300 MCM)	M10	29.5	1.18	M10	17.7	2× 350 MCM	7.2
R9	4	2.13	2 × (3/0...400 MCM)	M12	51.6	1.18	M10	17.7	2× 350 MCM	7.2

Frame	Cable lead-throughs		R-, R+/UDC+ and UDC- terminals					
	pcs	$\varnothing^*$	Wire size	$T$ (Wire screw)		$l$	$T$ (Terminal nut)	
		in.		M...	lbf-ft		mm	M...
R1	1	0.67	18...10	-	0.44	0.31	-	-
R2	1	0.67	18...10	-	0.44	0.31	-	-
R3	1	0.83	20...6	-	1.25	0.39	-	-
R4	1	0.94	20...2	-	2.4	0.70	-	-
R5	1	1.26	10...2/0	M8	11	1.18	-	-
R6	1	1.38	4...3/0	M8	14.8	1.18	-	-
R7	1	1.69	4...300 MCM	M10	22,1	1.18	-	-
R8	2	1.77	2 × (1/0...300 MCM)	M10	29.5	1.18	M8	17.7
R9	2	2.13	2 × (3/0...400 MCM)	M12	51.6	1.18	M8	17.7

\* maximum cable diameter accepted. Cable connector inside diameter: 3/4" (frames R1 and R2), 1" (R3). For the lead-through plate hole diameters, see chapter [Dimension drawings](#).

\*\* 525...690 V drives

**UL listed cable lugs and tools**

Wire size kcmil/AWG	Compression lug		Crimping tool		
	Manufacturer	Type	Manufacturer	Type	No. of crimps
6	Thomas & Betts	E10731 54136	Thomas & Betts	TBM4S TBM45S	1
	Burndy	YAV6C-L2	Burndy	MY29-3	1
	IlSCO	CCL-6-38	IlSCO	ILC-10	2
4	Thomas & Betts	54140	Thomas & Betts	TBM4S	1
	Burndy	YA4C-L4BOX	Burndy	MY29-3	1
	IlSCO	CCL-4-38	IlSCO	MT-25	1
2	Thomas & Betts	54143TB 54142TB	Thomas & Betts	TBM4S TBM4S	1
	Burndy	YA2C-L4BOX	Burndy	MY29-3	2
	IlSCO	CRC-2	IlSCO	IDT-12	1
	IlSCO	CCL-2-38	IlSCO	MT-25	1
1	Thomas & Betts	54148	Thomas & Betts	TBM-8	3
	Burndy	YA1C-L4BOX	Burndy	MY29-3	2
	IlSCO	CRA-1-38	IlSCO	IDT-12	1
	IlSCO	CCL-1-38	IlSCO	MT-25	1
1/0	Thomas & Betts	54109	Thomas & Betts	TBM-8	3
	Burndy	YA25-L4BOX	Burndy	MY29-3	2
	IlSCO	CRB-0	IlSCO	IDT-12	1
	IlSCO	CCL-1/0-38	IlSCO	MT-25	1
2/0	Thomas & Betts	54110	Thomas & Betts	TBM-8	3
	Burndy	YAL26T38	Burndy	MY29-3	2
	IlSCO	CRA-2/0	IlSCO	IDT-12	1
	IlSCO	CCL-2/0-38	IlSCO	MT-25	1

**Terminal data for the control cables**

See [Control unit \(ZCU-12\) connection data](#) below.

## Electrical power network specification

---

<b>Voltage (<math>U_1</math>)</b>	<p><u>ACS880-01-xxxx-2 drives:</u> 208 ... 240 V AC 3-phase +10%...-15%. This is indicated in the type designation label as typical input voltage level 3 ~ 230 V AC.</p> <p><u>ACS880-01-xxxx-3 drives:</u> 380 ... 415 V AC 3-phase +10%...-15%. This is indicated in the type designation label as typical input voltage level 3 ~ 400 V AC.</p> <p><u>ACS880-01-xxxx-5 drives:</u> 380 ... 500 V AC 3-phase +10%...-15%. This is indicated in the type designation label as typical input voltage levels 3 ~ 400/480/500 V AC.</p> <p><u>ACS880-01-xxxx-7 drives:</u> 525 ... 690 V AC 3-phase +10%...-15%. This is indicated in the type designation label as typical input voltage levels 3 ~ 525/600/690 V AC.</p>
<b>Network type</b>	TN (grounded) and IT (ungrounded) systems. However, 690 V drives must not be installed on corner-grounded TN systems or corner-grounded IT systems.
<b>Rated conditional short-circuit current (IEC 61439-1)</b>	65 kA when protected by fuses given in the fuse tables
<b>Short-circuit current protection (UL 508C, CSA C22.2 No. 14-05)</b>	US and Canada: The drive is suitable for use on a circuit capable of delivering not more than 100 kA symmetrical amperes (rms) at 600 V maximum when protected by fuses given in the fuse table
<b>Frequency</b>	50/60 Hz, variation $\pm 5\%$ , maximum rate of change 17%/s
<b>Imbalance</b>	Max. $\pm 3\%$ of nominal phase to phase input voltage
<b>Fundamental power factor (<math>\cos \phi_1</math>)</b>	0.98 (at nominal load)

## Motor connection data

---

<b>Motor types</b>	Asynchronous AC induction motors, permanent magnet synchronous motors, AC induction servomotors and ABB synchronous reluctance motors (SynRM motors)
<b>Voltage (<math>U_2</math>)</b>	0 to $U_1$ , 3-phase symmetrical, $U_{max}$ at the field weakening point
<b>Frequency</b>	0...500 Hz <u>For drives with du/dt filter:</u> 120 Hz <u>For drives with sine filter:</u> 120 Hz
<b>Current</b>	See section <a href="#">Ratings</a> .
<b>Switching frequency</b>	2.7 kHz (typically)

---

<b>Maximum recommended motor cable length</b>	For ACS880-01-xxxx-2, ACS880-01-xxxx-3 and ACS880-01-xxxx-5 frames R1 to R3 and for types ACS880-01-07A3-7, ACS880-01-09A8-7, ACS880-01-14A2-7 and ACS880-01-018A-7: 150 m (492 ft)
	For ACS880-01-xxxx-2, ACS880-01-xxxx-3 and ACS880-01-xxxx-5 frames R4 to R9 and for types from ACS880-01-022A-7 to ACS880-01-271A-7: 300 m (984 ft).

**Note:** With motor cables longer than 150 m (492 ft) or switching frequencies higher than default, the EMC Directive requirements may not be fulfilled.

## Control unit (ZCU-12) connection data

---

<b>Power supply (XPOW)</b>	24 V ( $\pm 10\%$ ) DC, 2 A Supplied from the power unit of the drive, or from an external power supply through connector XPOW (pitch 5 mm, wire size 2.5 mm <sup>2</sup> ).
<b>Relay outputs RO1...RO3 (XRO1 ... XRO3)</b>	Connector pitch 5 mm, wire size 2.5 mm <sup>2</sup> 250 V AC / 30 V DC, 2 A Protected by varistors
<b>+24 V output (XD24:2 and XD24:4)</b>	Connector pitch 5 mm, wire size 2.5 mm <sup>2</sup> Total load capacity of these outputs is 4.8 W (200 mA / 24 V) minus the power taken by DIO1 and DIO2.
<b>Digital inputs DI1...DI6 (XDI:1 ... XDI:6)</b>	Connector pitch 5 mm, wire size 2.5 mm <sup>2</sup> 24 V logic levels: "0" < 5 V, "1" > 15 V $R_{in}$ : 2.0 kohm Input type: NPN/PNP (DI1...DI5), NPN (DI6) Hardware filtering: 0.04 ms, digital filtering up to 8 ms DI6 (XDI:6) can alternatively be used as an input for PTC sensors. "0" > 4 kohm, "1" < 1.5 kohm $I_{max}$ : 15 mA (for DI6 5 mA)
<b>Start interlock input DIIL (XD24:1)</b>	Connector pitch 5 mm, wire size 2.5 mm <sup>2</sup> 24 V logic levels: "0" < 5 V, "1" > 15 V $R_{in}$ : 2.0 kohm Input type: NPN/PNP Hardware filtering: 0.04 ms, digital filtering up to 8 ms

---

**Digital inputs/outputs DIO1 and DIO2 (XDIO:1 and XDIO:2)**

Input/output mode selection by parameters.  
 DIO1 can be configured as a frequency input (0...16 kHz with hardware filtering of 4 microseconds) for 24 V level square wave signal (sinusoidal or other wave form cannot be used). DIO2 can be configured as a 24 V level square wave frequency output. See the firmware manual, parameter group 11.

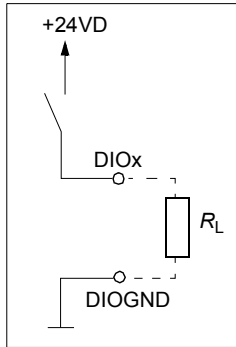
Connector pitch 5 mm, wire size 2.5 mm<sup>2</sup>

As inputs:

24 V logic levels: "0" < 5 V, "1" > 15 V  
 $R_{in}$ : 2.0 kohm  
 Filtering: 0.25 ms

As outputs:

Total output current from +24VD is limited to 200 mA.



**Reference voltage for analog inputs +VREF and -VREF (XAI:1 and XAI:2)**

**Analog inputs AI1 and AI2 (XAI:4 ... XAI:7).**

Current/voltage input mode selection by jumpers. See page 112.

Connector pitch 5 mm, wire size 2.5 mm<sup>2</sup>

10 V ±1% and -10 V ±1%,  $R_{load}$  1...10 kohm

Connector pitch 5 mm, wire size 2.5 mm<sup>2</sup>

Current input: -20...20 mA,  $R_{in}$ : 100 ohm  
 Voltage input: -10...10 V,  $R_{in}$ : > 200 kohm  
 Differential inputs, common mode range ±30 V  
 Sampling interval per channel: 0.25 ms  
 Hardware filtering: 0.25 ms, adjustable digital filtering up to 8 ms

Resolution: 11 bit + sign bit  
 Inaccuracy: 1% of full scale range  
 Inaccuracy for Pt100 sensors: 10 °C (50 °F)

**Analog outputs AO1 and AO2 (XAO)**

Connector pitch 5 mm, wire size 2.5 mm<sup>2</sup>

0...20 mA,  $R_{load}$  < 500 ohm  
 Frequency range: 0...300 Hz  
 Resolution: 11 bit + sign bit  
 Inaccuracy: 2% of full scale range

**Drive to drive link (XD2D)**

Connector pitch 5 mm, wire size 2.5 mm<sup>2</sup>

Physical layer: RS-485  
 Termination by switch

**Safe torque off connection  
(XSTO)**

Connector pitch 5 mm, wire size 2.5 mm<sup>2</sup>  
Input voltage range: -3...30 V DC  
Logic levels: "0" < 5 V, "1" > 17 V  
Current consumption of frames R1 to R7: 30 mA  
(24 V DC, continuous) per STO channel  
Current consumption of frames R8 and R9: 12 mA  
(24 V DC, continuous) per STO channel  
Maximum output current from OUT1: 100 mA  
(24 V DC, continuous)  
For the drive to start, both connections must be closed  
(OUT1 to IN1 and IN2).  
EMC (immunity) according to IEC 61326-3-1

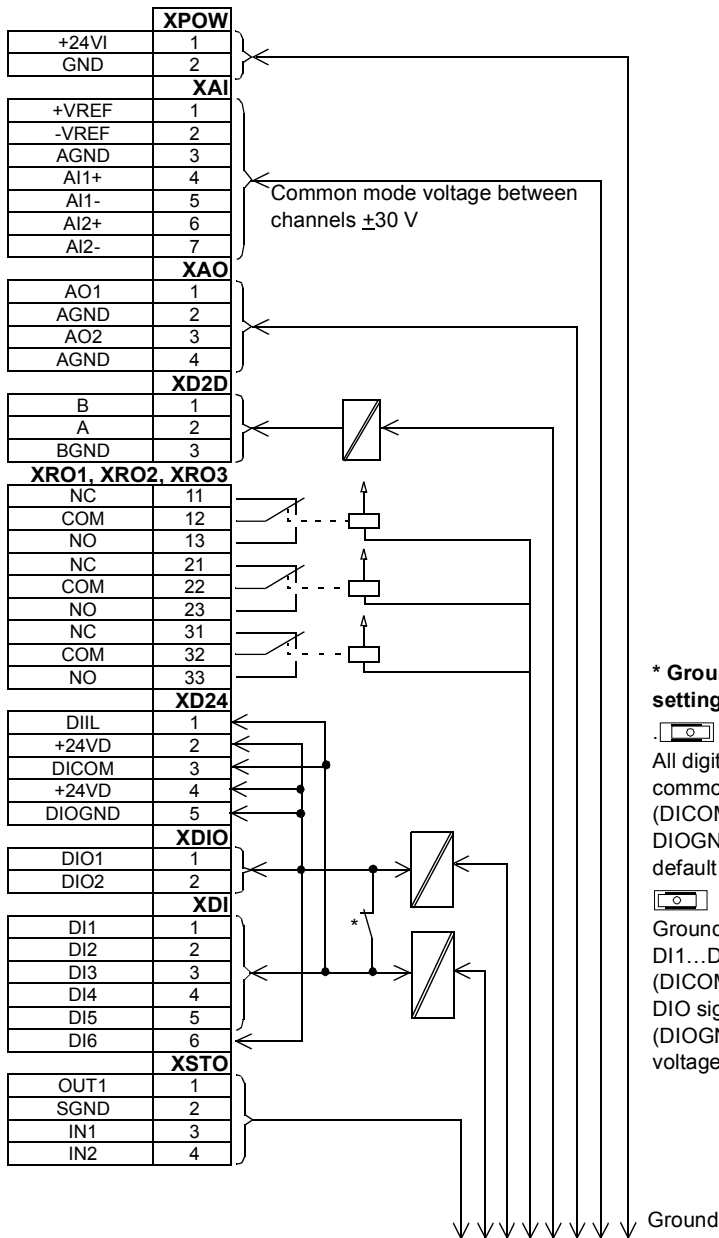
**Control panel / PC connection**

Connector: RJ-45  
Cable length < 3 m

The terminals on the board fulfil the Protective Extra Low Voltage (PELV) requirements. The PELV requirements of a relay output are not fulfilled if a voltage higher than 48 V is connected to the relay output.



Ground isolation diagram



## Efficiency

Approximately 98% at nominal power level

## Protection classes

<b>Degree of protection (IEC/EN 60529)</b>	IP21, IP55. Option +P940 and +P944: IP20
<b>Enclosure types (UL508C)</b>	UL Type 1, UL Type 12. Option +P940: UL Open Type. For indoor use only.
<b>Overvoltage category (IEC 60664-1)</b>	III
<b>Protective class (IEC/EN 61800-5-1)</b>	I

## Ambient conditions

Environmental limits for the drive are given below. The drive is to be used in a heated, indoor, controlled environment.

	<b>Operation</b> installed for stationary use	<b>Storage</b> in the protective package	<b>Transportation</b> in the protective package
<b>Installation site altitude</b>	<ul style="list-style-type: none"> <li>• 0 to 4000 m (13123 ft) above sea level <sup>1)</sup></li> <li>• 0 to 2000 m (6561 ft) above sea level <sup>2)</sup></li> </ul> Above 1000 m [3281 ft]), see page <a href="#">161</a> .	-	-
<b>Air temperature</b>	-15 to +55 °C (5 to 131 °F). <sup>3)</sup> No frost allowed. See section <a href="#">Ratings</a> .	-40 to +70 °C (-40 to +158 °F)	-40 to +70 °C (-40 to +158 °F)
<b>Relative humidity</b>	5 to 95%	Max. 95%	Max. 95%
No condensation allowed. Maximum allowed relative humidity is 60% in the presence of corrosive gases.			

<b>Contamination levels</b> (IEC 60721-3-3, IEC 60721-3-2, IEC 60721-3-1)	No conductive dust allowed.		
	<b>Chemical gases:</b> Class 3C2. For circuit boards in IP55 drives Class 3C3 and ANSI/ISA S71.04-1985 GX <b>Solid particles:</b> Class 3S2	<b>Chemical gases:</b> Class 1C2 <b>Solid particles:</b> Class 1S3	<b>Chemical gases:</b> Class 2C2 <b>Solid particles:</b> Class 2S2
<b>Atmospheric pressure</b>	70 to 106 kPa 0.7 to 1.05 atmospheres	70 to 106 kPa 0.7 to 1.05 atmospheres	60 to 106 kPa 0.6 to 1.05 atmospheres
<b>Vibration</b> (IEC 60068-2)	Max. 1 mm (0.04 in.) (5 to 13.2 Hz), max. 7 m/s <sup>2</sup> (23 ft/s <sup>2</sup> ) (13.2 to 100 Hz) sinusoidal	Max. 1 mm (0.04 in.) (5 to 13.2 Hz), max. 7 m/s <sup>2</sup> (23 ft/s <sup>2</sup> ) (13.2 to 100 Hz) sinusoidal	Max. 3.5 mm (0.14 in.) (2 to 9 Hz), max. 15 m/s <sup>2</sup> (49 ft/s <sup>2</sup> ) (9 to 200 Hz) sinusoidal
<b>Shock</b> (IEC 60068-2-27)	Not allowed	Max. 100 m/s <sup>2</sup> (330 ft./s <sup>2</sup> ), 11 ms	Max. 100 m/s <sup>2</sup> (330 ft./s <sup>2</sup> ), 11 ms
<b>Free fall</b>	Not allowed	100 mm (4 in.) for weight over 100 kg (220 lb)	100 mm (4 in.) for weight over 100 kg (220 lb)

1. For neutral-grounded TN and TT systems and non-corner grounded IT systems
2. For corner-grounded TN, TT and IT systems
3. For IP55 (UL Type 12) type -210A-7: -15 to +45 °C (5 to 113 °F). For IP55 (UL Type 12) types -0430A-3, -0414A-5 and -0271A-7: -15 to +35 °C (5 to 95 °F).

## Materials

### Drive enclosure

- PC/ABS 3 mm, color NCS 1502-Y (RAL 9002 / PMS 1C Cool Grey) and RAL 9017
- PC+10%GF 3.0mm, Color RAL 9017 (in frames R1 to R3 only)
- hot-dip zinc coated steel sheet 1.5 to 2.5 mm, thickness of coating 100 micrometers, color NCS 1502-Y

**Package**

Plywood and cardboard. Foam cushions PP-E, bands PP.

Frame	Package		
	Length (mm)	Width (mm)	Height (mm)
R1	574	256	281
R1 (IP55)	574	256	364
R2	574	256	304
R2 (IP55)	574	256	386
R3	624	256	316
R3 (+P940)	624	256	316
R3 IP55	624	256	399
R4 IP21	691	290	329
R4 (+P940)	691	290	329
R4 (IP55)	691	290	415
R5 IP21	896	293	329
R5 (+P940)	896	293	329
R6	870	325	580
R7	992	400	568
R8	1145	485	655
R9	1145	485	655

**Disposal**

The main parts of the drive can be recycled to preserve natural resources and energy. Product parts and materials should be dismantled and separated.

Generally all metals, such as steel, aluminum, copper and its alloys, and precious metals can be recycled as material. Plastics, rubber, cardboard and other packaging material can be used in energy recovery. Printed circuit boards and DC capacitors (C1-1 to C1-x) need selective treatment according to IEC 62635 guidelines. To aid recycling, plastic parts are marked with an appropriate identification code.

Contact your local ABB distributor for further information on environmental aspects and recycling instructions for professional recyclers. End of life treatment must follow international and local regulations.

## Applicable standards

---

The drive complies with the following standards. The compliance with the European Low Voltage Directive is verified according to standard EN 61800-5-1.

<b>EN 60204-1:2006 + A1 2009</b>	<i>Safety of machinery. Electrical equipment of machines. Part 1: General requirements. Provisions for compliance:</i> The final assembler of the machine is responsible for installing - emergency-stop device - supply disconnecting device.
<b>IEC/EN 60529:1991 + A1 2000</b>	<i>Degrees of protection provided by enclosures (IP code)</i>
<b>IEC 60664-1:2007</b>	<i>Insulation coordination for equipment within low-voltage systems. Part 1: Principles, requirements and tests.</i>
<b>EN 61800-3:2004</b>	<i>Adjustable speed electrical power drive systems. Part 3: EMC requirements and specific test methods</i>
<b>EN 61800-5-1:2007</b>	<i>Adjustable speed electrical power drive systems. Part 5-1: Safety requirements – electrical, thermal and energy</i>
<b>EN 61800-5-2:2007</b>	<i>Adjustable speed electrical power drive systems. Part 5-2: Safety requirements – Functional</i>
<b>UL 508C:2002</b>	<i>UL Standard for Safety, Power Conversion Equipment, third edition</i>
<b>NEMA 250:2008</b>	<i>Enclosures for Electrical Equipment (1000 Volts Maximum)</i>
<b>CSA C22.2 No. 14-10</b>	<i>Industrial control equipment</i>
<b>GOST R 51321-1:2007</b>	<i>Low-voltage switchgear and control gear assemblies. Part 1 - Requirements for type-tested and partially type-tested assemblies - General technical requirements and methods of tests</i>

## CE marking

A CE mark is attached to the drive to verify that the drive follows the provisions of the European Low Voltage, EMC and RoHS Directives. The CE marking also verifies that the drive, in regard to its safety functions (such as Safe torque off), conforms with the Machinery Directive as a safety component.

### ■ Compliance with the European Low Voltage Directive

The compliance with the European Low Voltage Directive has been verified according to standards EN 60204-1 and EN 61800-5-1.

### ■ Compliance with the European EMC Directive

The EMC Directive defines the requirements for immunity and emissions of electrical equipment used within the European Union. The EMC product standard (EN 61800-3:2004) covers requirements stated for drives. See section [Compliance with the EN 61800-3:2004](#) below.

---

### ■ **Compliance with the European RoHS Directive**


The RoHS Directive defines the restriction of the use of certain hazardous substances in electrical and electronic equipment.

### ■ **Compliance with the European Machinery Directive**

The drive is an electronic product which is covered by the European Low Voltage Directive. However, the drive includes the Safe torque off function and can be equipped with other safety functions for machinery which, as safety components, are in the scope of the Machinery Directive. These functions of the drive comply with European harmonized standards such as EN 61800-5-2. The declaration of conformity is shown below.

---

## Declaration of Conformity

Power and productivity  
for a better world™ 

### EU Declaration of Conformity

Machinery Directive 2006/42/EC

We

Manufacturer: ABB Oy  
Address: Hiomotie 13, 00380 Helsinki, Finland.  
Phone: +358 10 22 11

declare under our sole responsibility that the following products:

**Frequency converters**

**ACS880-01**

**ACS880-04/-04F**

**ACS880-M04**

**ACS880-14/-34**

with regard to the built-in safety function:

**Safe torque off;**

and with regard to the following optional safety functions with FSO-12 module (option code +Q973, encoderless):

**Safe stop 1; Safe stop emergency; Safely-limited speed; Safe maximum speed; Safe brake control; Prevention of Unexpected Start-up;**

and with regard to the following optional safety functions (option codes +Q972 and +L521, encoder supported):

**Safe stop 1; Safe stop emergency; Safely-limited speed; Safe maximum speed; Safe brake control; Safe speed monitor; Safe direction; Prevention of Unexpected Start-up;**

and with regard to the following optional safety function with FPTC-01 thermistor protection module (option code +L536):

**Safe Motor Temperature;**

are in conformity with all the relevant safety component requirements of EU Machinery Directive 2006/42/EC, when the listed safety functions are used for safety component functionality.

Power and productivity  
for a better world™



## EU Declaration of Conformity

Machinery Directive 2006/42/EC

The following harmonized standards have been applied:

EN 61800-5-2:2007	<i>Adjustable speed electrical power drive systems – Part 5-2: Safety requirements - Functional</i>
EN 62061:2005 + AC:2010 + A1:2013 + A2:2015	<i>Safety of machinery – Functional safety of safety-related electrical, electronic and programmable electronic control systems</i>
EN ISO 13849-1:2015	<i>Safety of machinery – Safety-related parts of control systems. Part 1: General requirements</i>
EN ISO 13849-2:2012	<i>Safety of machinery – Safety-related parts of the control systems. Part 2: Validation</i>
EN 60204-1: 2006 + A1:2009 + AC:2010	<i>Safety of machinery – Electrical equipment of machines – Part 1: General requirements</i>

The following other standards have been applied:

IEC 61508:2010	Functional safety of electrical / electronic / programmable electronic safety-related systems
----------------	---

The products referred in this Declaration of conformity fulfil the relevant provisions of other European Union Directives which are notified in Single EU Declaration of conformity 3AXD10000497831.

Person authorized to compile the technical file:

Name and address: Juha Martinmaa, Hiomotie 13, 00380 Helsinki, Finland.

Helsinki, 22 Nov 2016

Manufacturer representative:

Tuomo Hoysniemi  
Vice President, ABB Oy



## Compliance with the EN 61800-3:2004

### ■ Definitions

EMC stands for **E**lectromagnetic **C**ompatibility. It is the ability of electrical/electronic equipment to operate without problems within an electromagnetic environment. Likewise, the equipment must not disturb or interfere with any other product or system within its locality.

*First environment* includes establishments connected to a low-voltage network which supplies buildings used for domestic purposes.

*Second environment* includes establishments connected to a network not supplying domestic premises.

*Drive of category C2:* drive of rated voltage less than 1000 V and intended to be installed and started up only by a professional when used in the first environment.

**Note:** A professional is a person or organization having necessary skills in installing and/or starting up power drive systems, including their EMC aspects.

*Drive of category C3:* drive of rated voltage less than 1000 V and intended for use in the second environment and not intended for use in the first environment.

*Drive of category C4:* drive of rated voltage equal to or above 1000 V, or rated current equal to or above 400 A, or intended for use in complex systems in the second environment.

### ■ Category C2

The drive complies with the standard with the following provisions:

1. The drive is equipped with EMC filter +E202.
2. The motor and control cables are selected as specified in the hardware manual.
3. The drive is installed according to the instructions given in the hardware manual.
4. Maximum motor cable length is 150 meters.

---

**WARNING!** The drive may cause radio interference if used in residential or domestic environment. The user is required to take measures to prevent interference, in association to the requirements for the CE compliance listed above, if necessary.

---

**Note:** Do not install a drive equipped with EMC filter +E202 on IT (ungrounded) systems. The supply network becomes connected to ground potential through the EMC filter capacitors which may cause danger or damage to the unit.

---

### ■ Category C3

The drive complies with the standard with the following provisions:

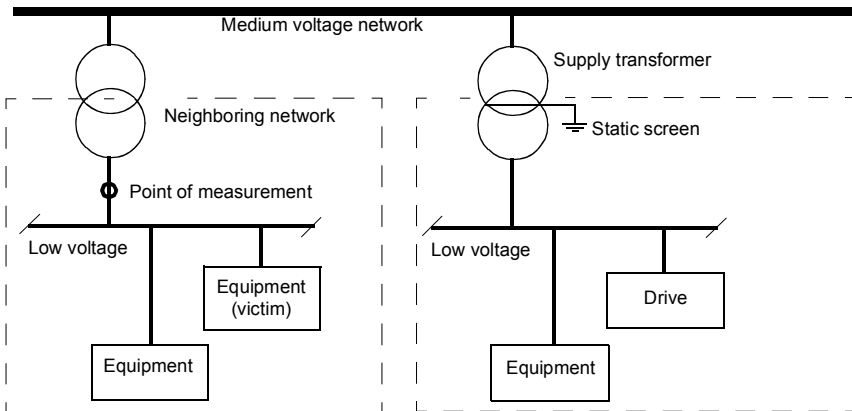
1. The drive is equipped with EMC filter +E200 or +E201.
2. The motor and control cables are selected as specified in the hardware manual.
3. The drive is installed according to the instructions given in the hardware manual.
4. Maximum motor cable length is 150 meters.

**WARNING!** A drive of category C3 is not intended to be used on a low-voltage public network which supplies domestic premises. Radio frequency interference is expected if the drive is used on such a network.

### ■ Category C4

If the provisions under *Category C3* cannot be met, the requirements of the standard can be met as follows:

1. It is ensured that no excessive emission is propagated to neighboring low-voltage networks. In some cases, the inherent suppression in transformers and cables is sufficient. If in doubt, the supply transformer with static screening between the primary and secondary windings can be used.



2. An EMC plan for preventing disturbances is drawn up for the installation. A template is available from the local ABB representative.
3. The motor and control cables are selected as specified in the hardware manual.
4. The drive is installed according to the instructions given in the hardware manual.

**WARNING!** A drive of category C4 is not intended to be used on a low-voltage public network which supplies domestic premises. Radio frequency interference is expected if the drive is used on such a network.

## UL marking

The drive is cULus Listed.

### ■ UL checklist

- The drive must be installed in clean air according to enclosure classification. Cooling air must be clean, free from corrosive materials and electrically conductive dust. (IP55)- UL Type 12 enclosure. This enclosure provides protection from airborne dust and light sprays or splashing water from all directions.
- The maximum ambient air temperature is 40 °C (104 °F) at rated current. The current is derated for 40 to 55 °C (104 to 131 °F).
- The drive is suitable for use in a circuit capable of delivering not more than 100,000 rms symmetrical amperes, 600 V maximum. The ampere rating is based on tests done according to UL 508C.
- The cables located within the motor circuit must be rated for at least 75 °C (167 °F) in UL-compliant installations.
- The input cable must be protected with fuses. Circuit breakers must not be used without fuses in the USA. Suitable IEC (class aR) fuses are listed on page [173](#) and UL (class T) fuses on page [184](#). For suitable circuit breakers, contact your local ABB representative.
- For installation in the United States, branch circuit protection must be provided in accordance with the National Electrical Code (NEC) and any applicable local codes. To fulfill this requirement, use the UL classified fuses.
- For installation in Canada, branch circuit protection must be provided in accordance with the Canadian Electrical Code and any applicable provincial codes. To fulfill this requirement, use the UL classified fuses.
- The drive provides overload protection in accordance with the National Electrical Code (NEC).

## CSA marking

The drive modules are CSA marked.



### China RoHS marking

The *People's Republic of China Electronic Industry Standard* (SJ/T 11364-2014) specifies the marking requirements for hazardous substances in electronic and electrical products. The green mark is attached to the drive to verify that it does not

---

contain toxic and hazardous substances or elements above the maximum concentration values, and that it is an environmentally-friendly product which can be recycled and reused.



## **RCM marking**

RCM marking is required in Australia and New Zealand. An RCM mark is attached to the drive modules to verify compliance with the relevant standard (IEC 61800-3:2004), mandated by the Trans-Tasman Electromagnetic Compatibility Scheme.

For fulfilling the requirements of the standard, see section [Compliance with the EN 61800-3:2004](#) on page [209](#).



## **WEEE marking**

The drive is marked with the wheeled bin symbol. It indicates that at the end of life the drive should enter the recycling system at an appropriate collection point and not placed in the normal waste stream. See section [Disposal](#) on page [204](#).

## **EAC marking**

The drive has EAC certification. EAC marking is required in Russia, Belarus and Kazakhstan.

## **Approvals**

The drive is marine type approved. For more information, see [ACS880-01/04 +C132 marine type-approved drives supplement \(3AXD50000010521 \[English\]\)](#).

## **Cybersecurity disclaimer**

This product is designed to be connected to and to communicate information and data via a network interface. It is Customer's sole responsibility to provide and continuously ensure a secure connection between the product and Customer network or any other network (as the case may be). Customer shall establish and maintain any appropriate measures (such as but not limited to the installation of firewalls, application of authentication measures, encryption of data, installation of anti-virus programs, etc) to protect the product, the network, its system and the interface against any kind of security breaches, unauthorized access, interference, intrusion, leakage and/or theft of data or information. ABB and its affiliates are not liable for damages and/or losses related to such security breaches, any unauthorized access, interference, intrusion, leakage and/or theft of data or information.

---

## **Disclaimer**

The manufacturer shall have no obligation hereunder with respect to any product which (i) has been improperly repaired or altered; (ii) has been subjected to misuse, negligence or accident; (iii) has been used in a manner contrary to the Manufacturer's instructions; or (iv) has failed as a result of ordinary wear and tear.

---





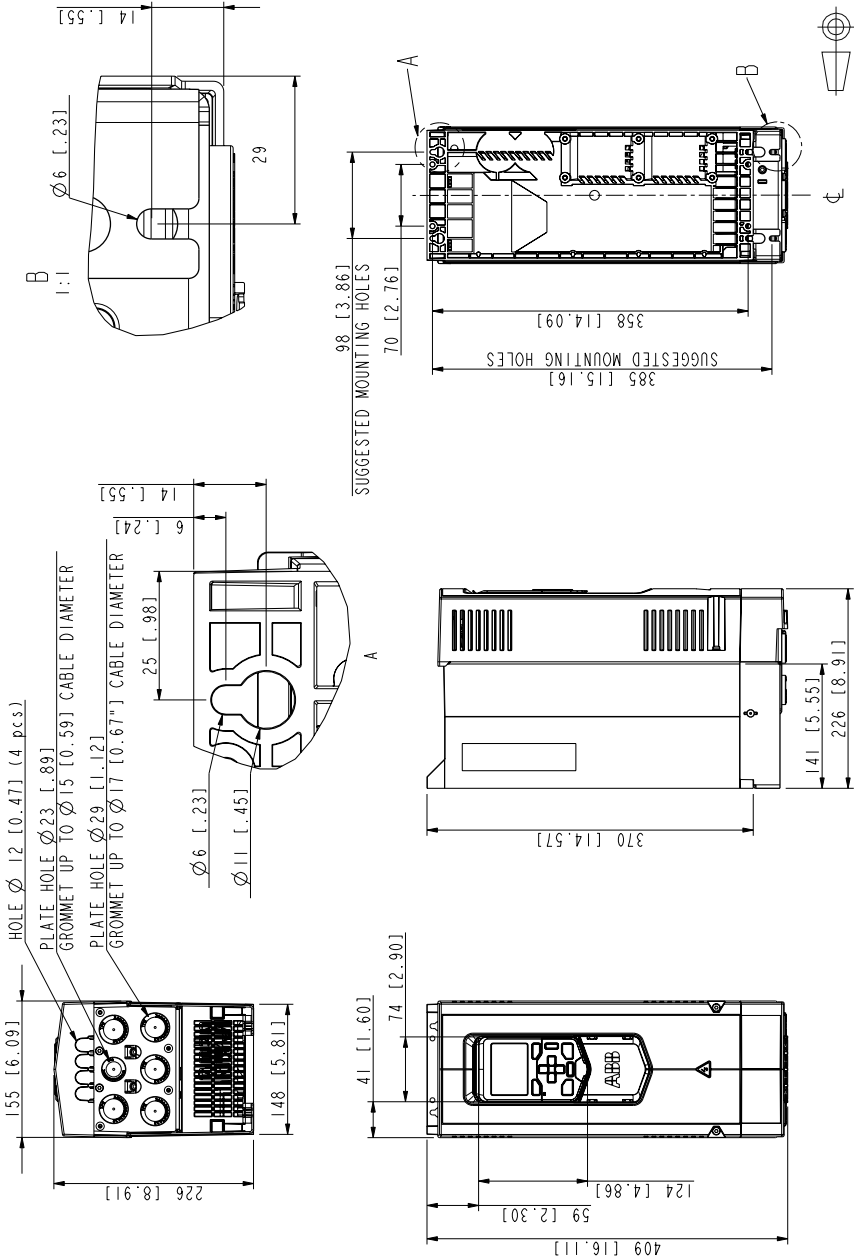
# Dimension drawings

---

## What this chapter contains

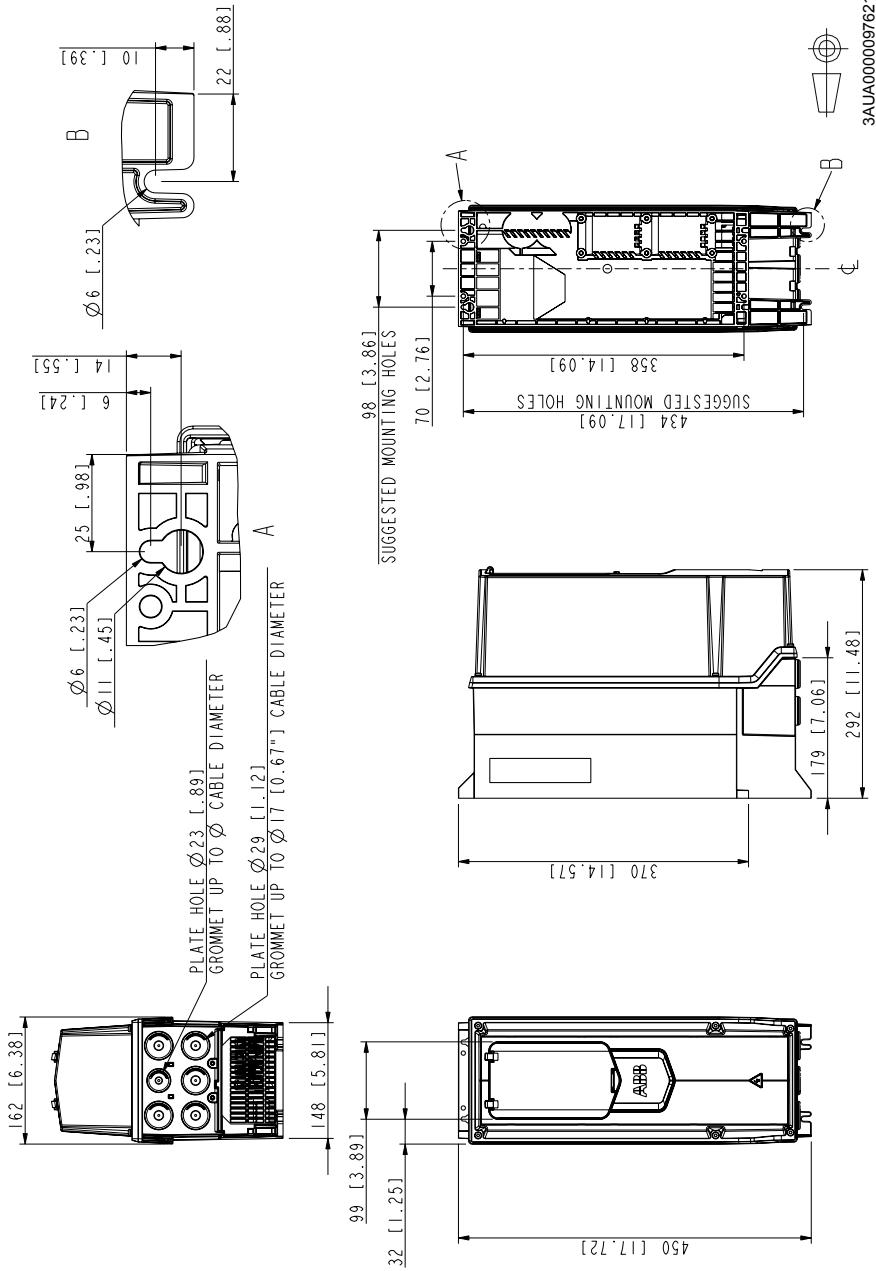
This chapter contains dimension drawings of the standard drive (IP21, UL Type 1) and drive with option +B056 (IP55, UL Type 12). For dimension drawings of options +P940 and +P944 (IP20, UL Open Type), see *ACS880-01 +P940/+P944 drives for cabinet installation supplement* (3AUA0000145446 [English]).

# Frame R1 (IP21, UL Type 1)

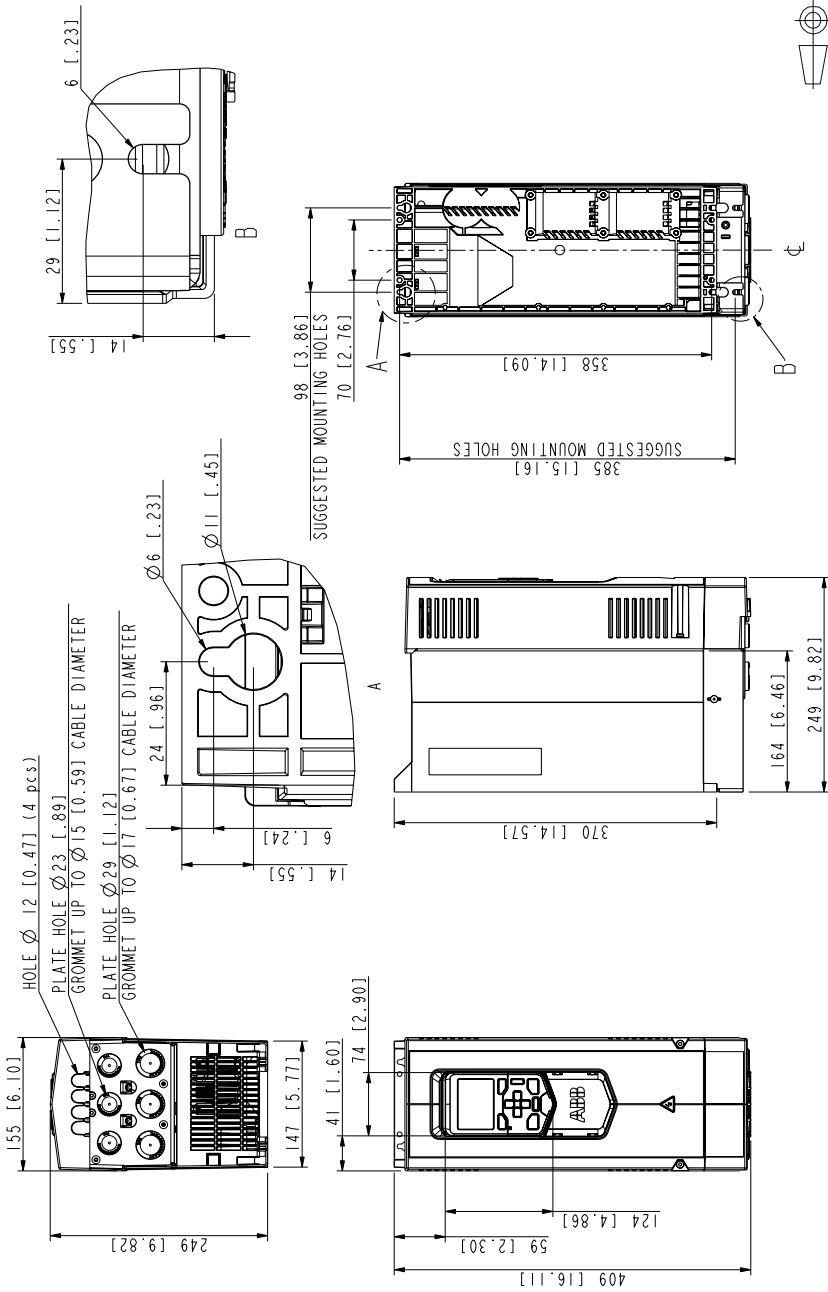




# Frame R1 (IP55, UL Type 12)

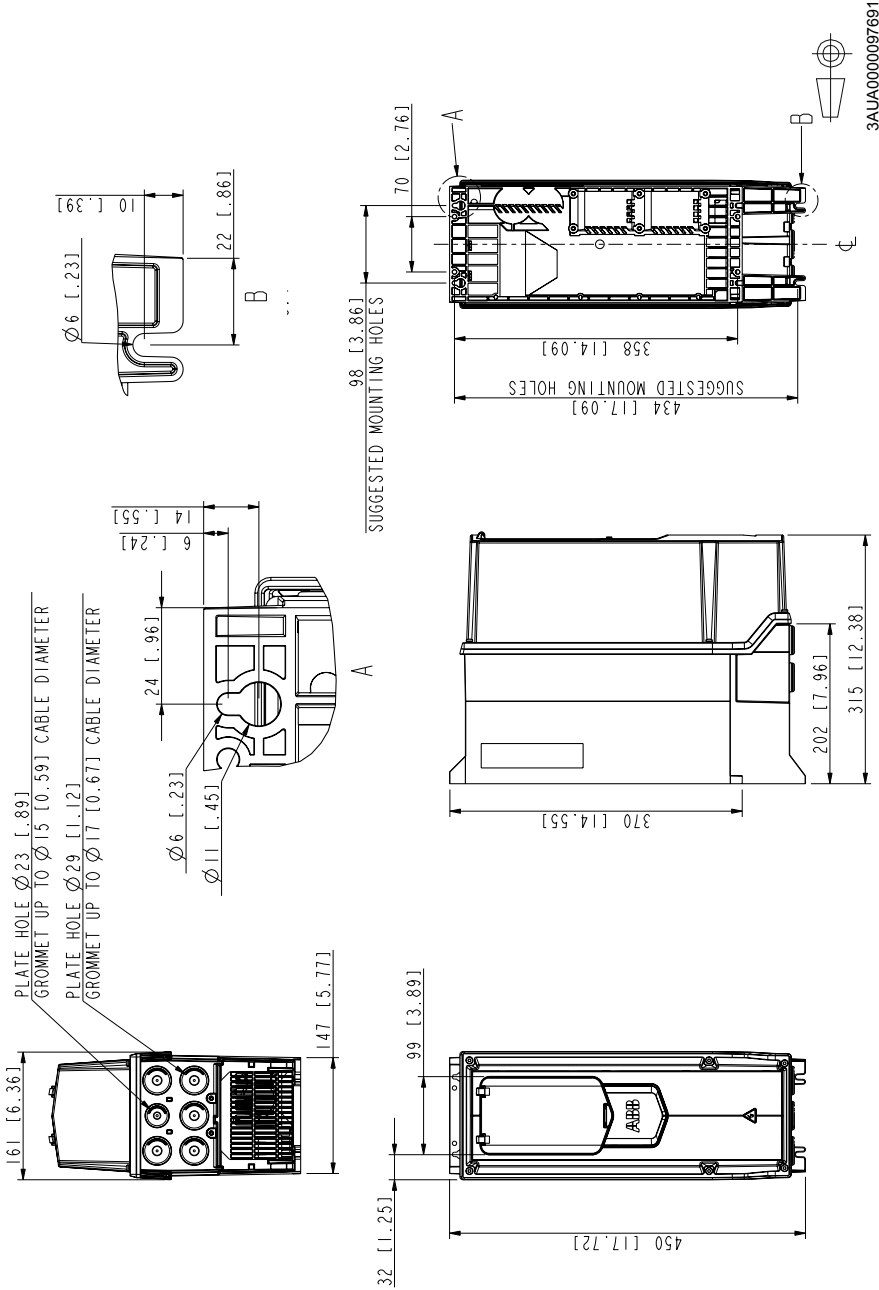


# Frame R2 (IP21, UL Type 1)

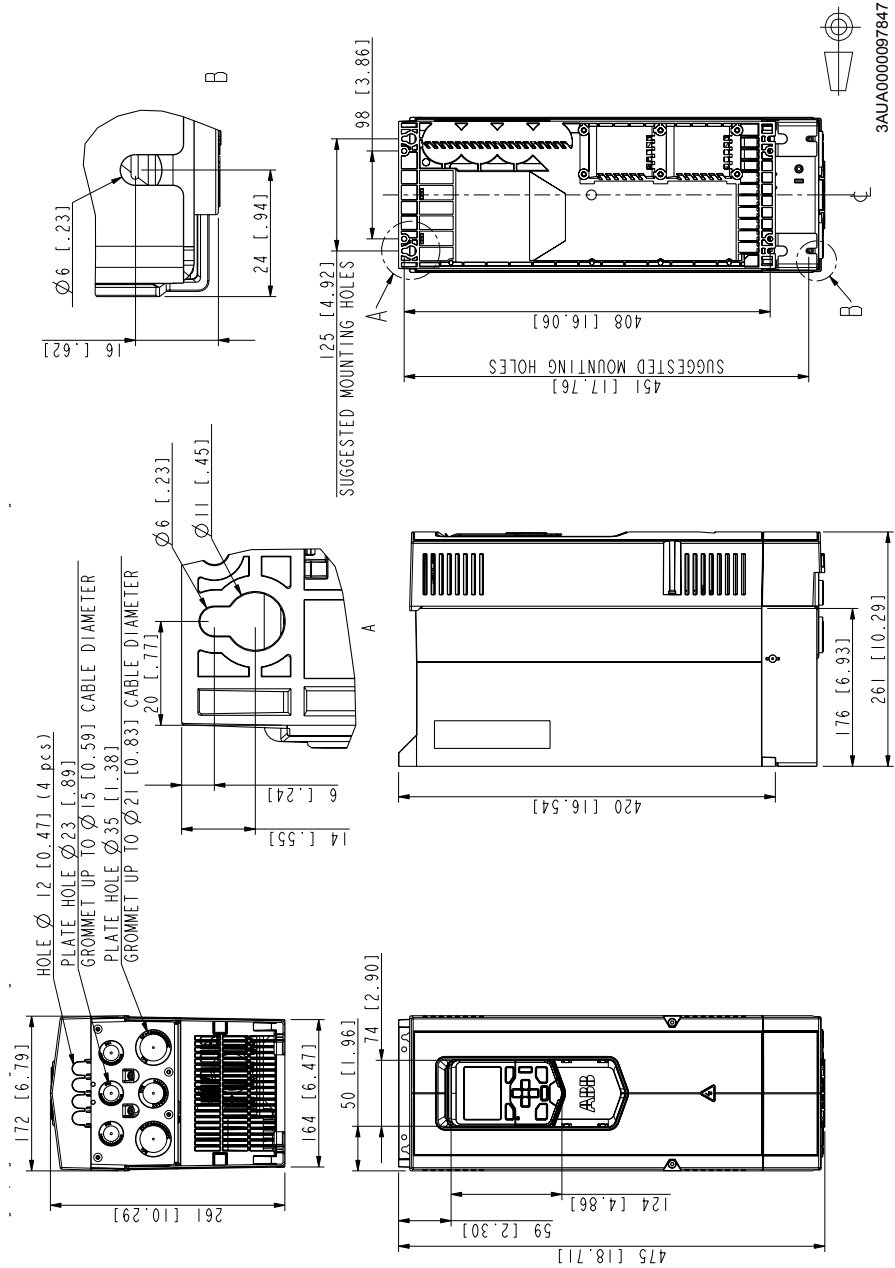


3AJUA0000097691

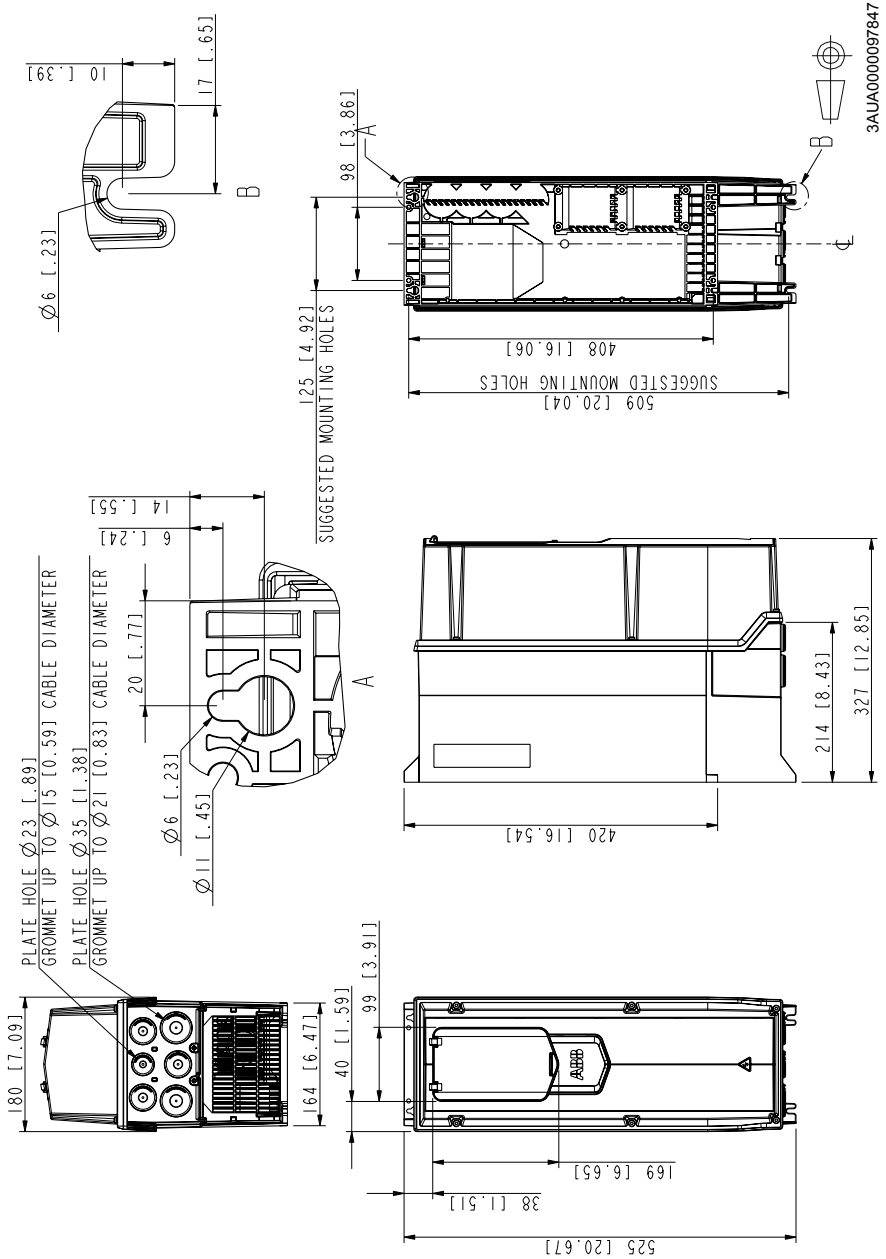
# Frame R2 (IP55, UL Type 12)



# Frame R3 (IP21, UL Type 1)



# Frame R3 (IP55, UL Type 12)



# Frame R4 (IP21, UL Type 1)

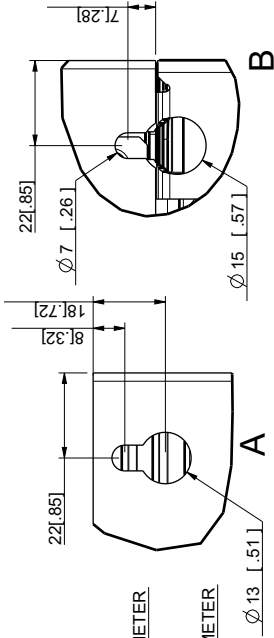
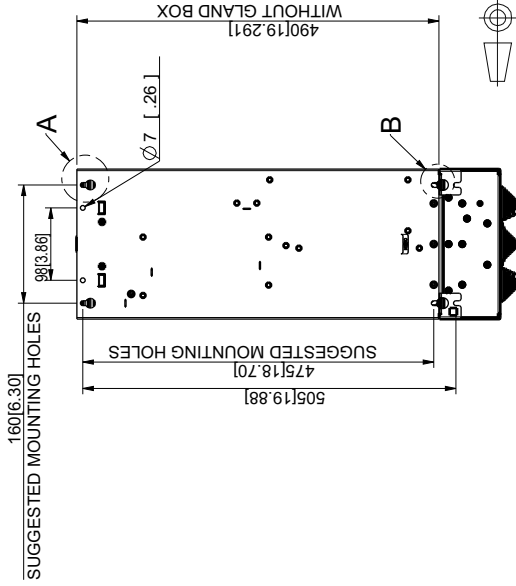
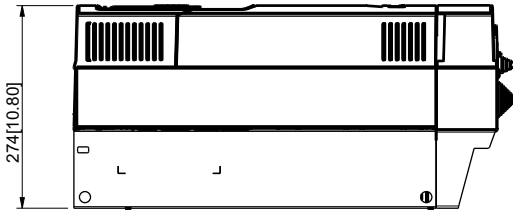
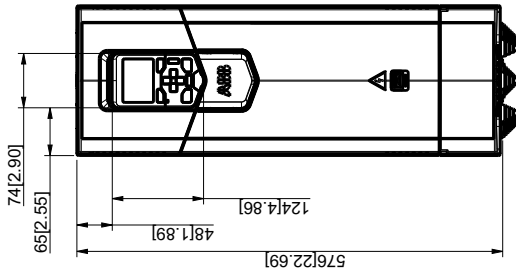
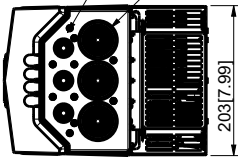


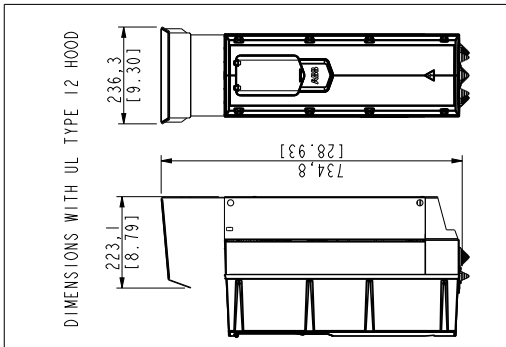
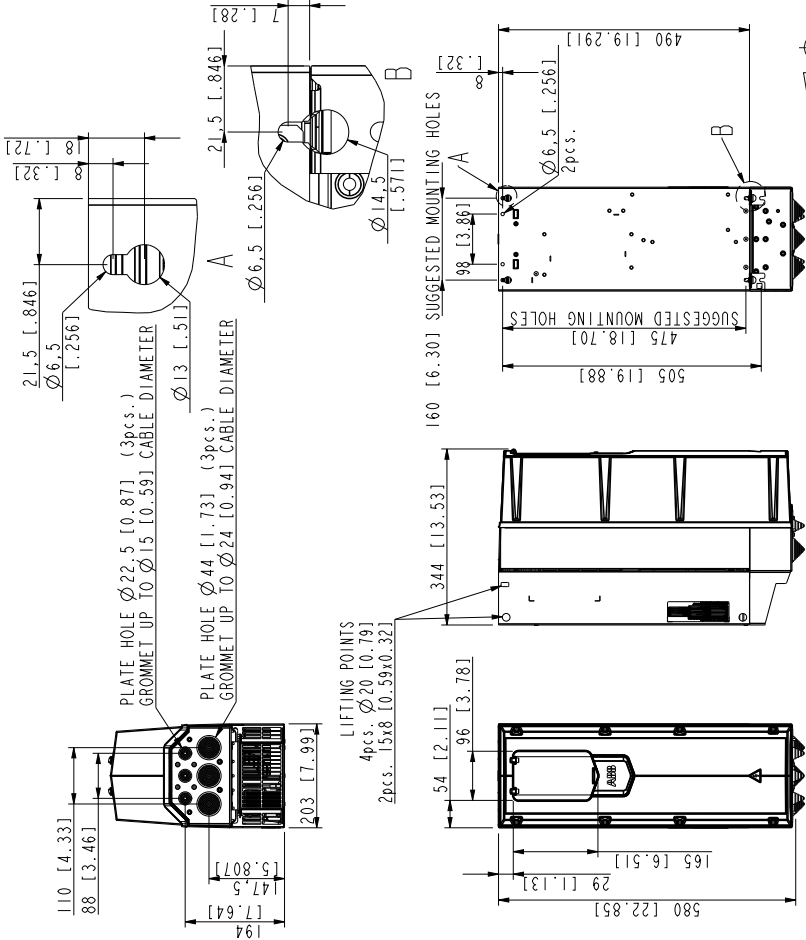
PLATE HOLE  $\varnothing 22$  [ 0.87 ] (3pcs.)  
GROMMET UP TO  $\varnothing 15$  [ 0.59 ] CABLE DIAMETER

PLATE HOLE  $\varnothing 44$  [ 1.73 ] (3pcs.)  
GROMMET UP TO  $\varnothing 24$  [ 0.94 ] CABLE DIAMETER



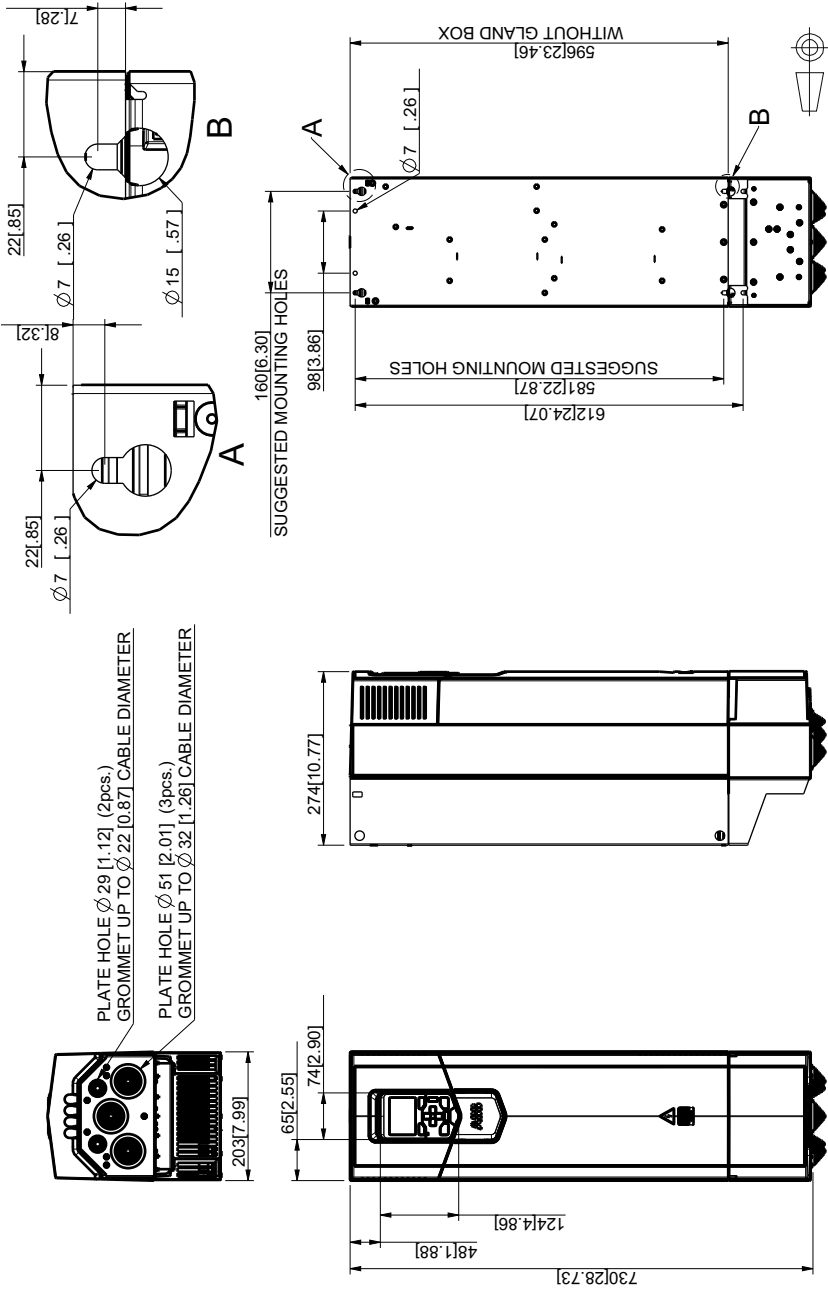
3AU/A0000098285

# Frame R4 (IP55, UL Type 12)



3aua0000098285

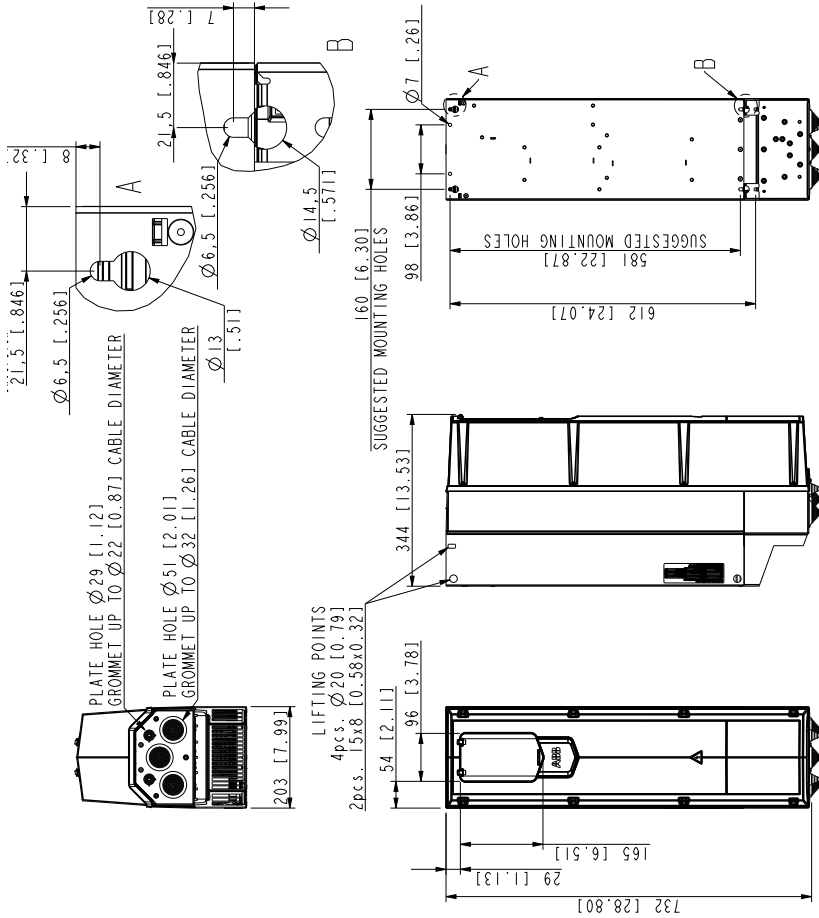
# Frame R5 (IP21, UL Type 1)



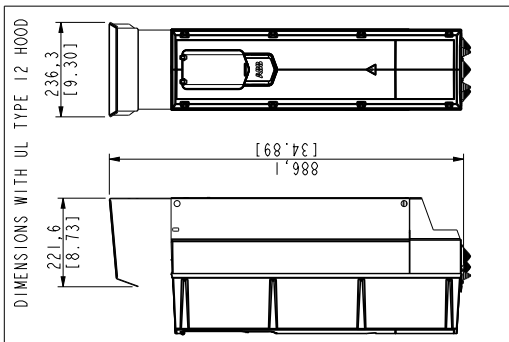
3AUA000097965



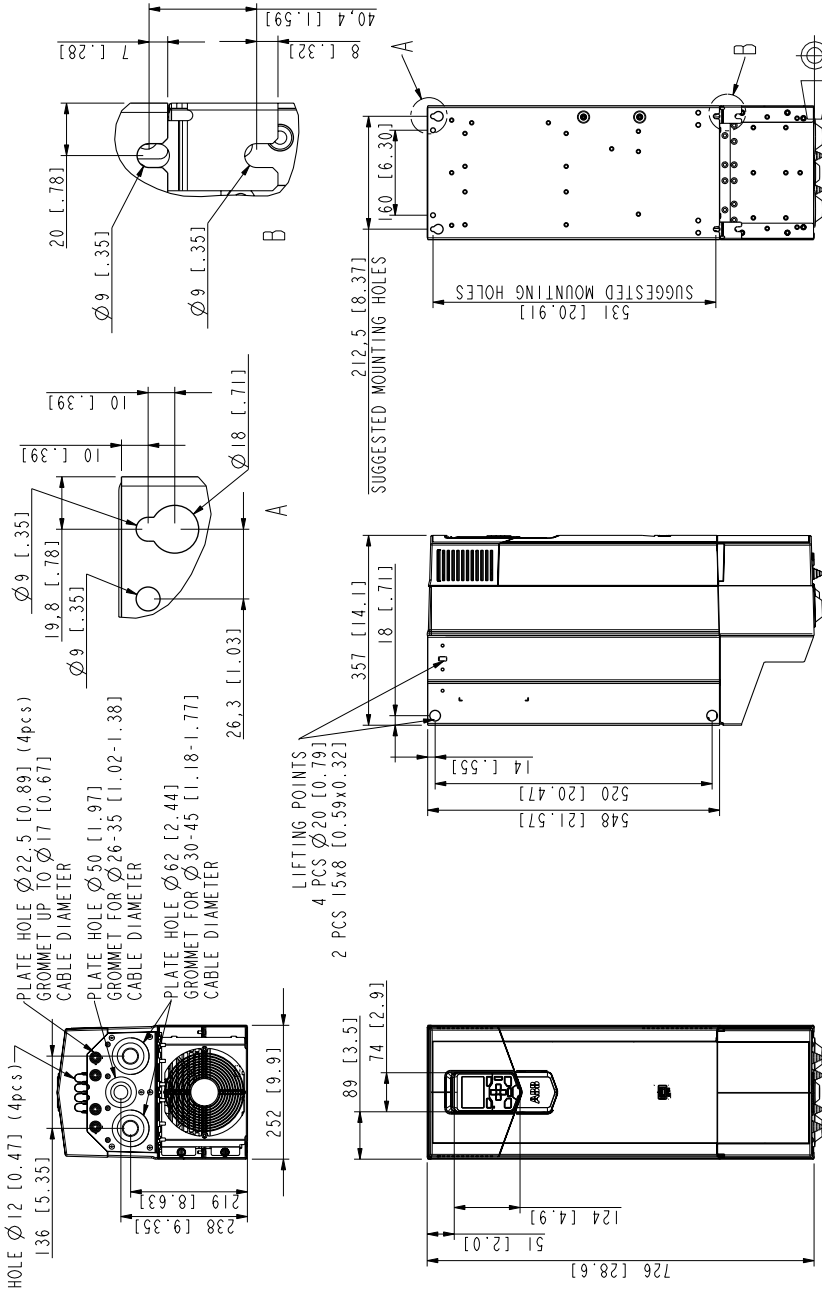
# Frame R5 (IP55, UL Type 12)



3anad0000097965

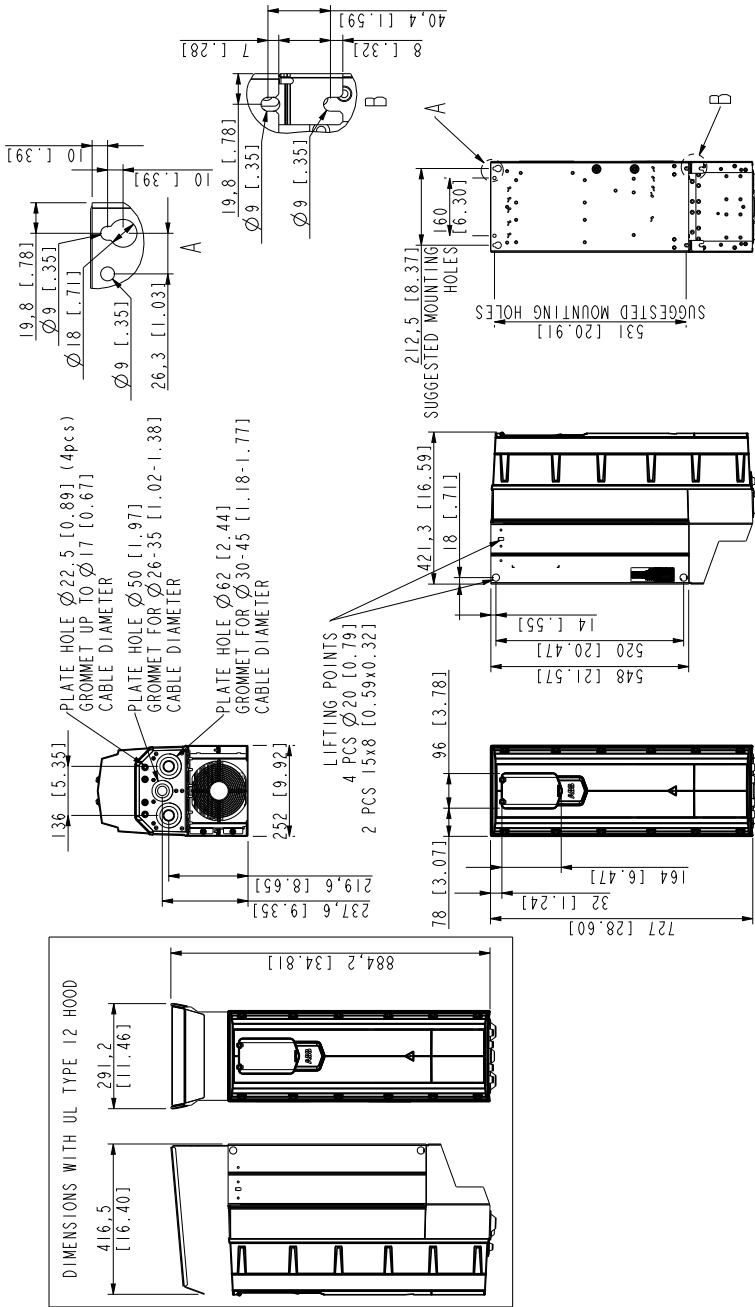


# Frame R6 (IP21, UL Type 1)



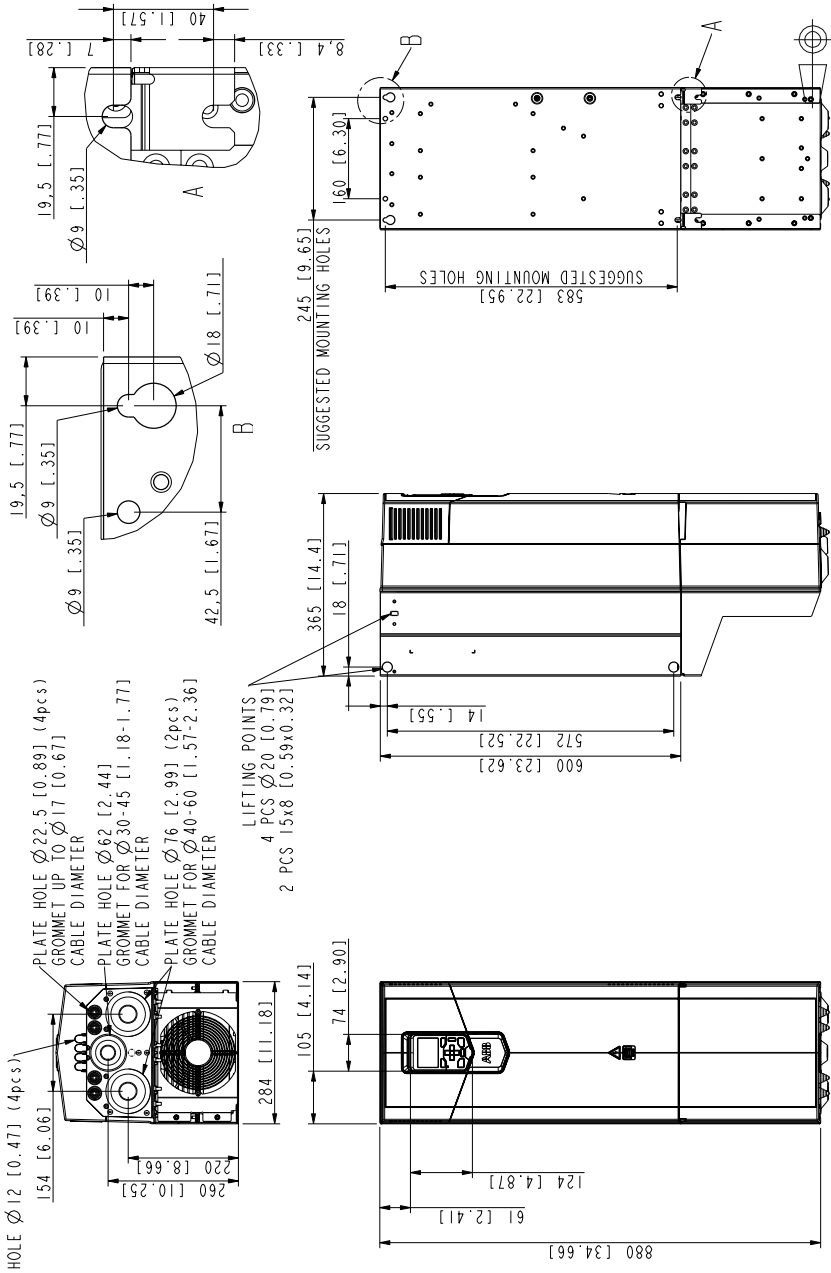
3AUA000086321

### Frame R6 (IP55, UL Type 12)



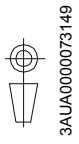
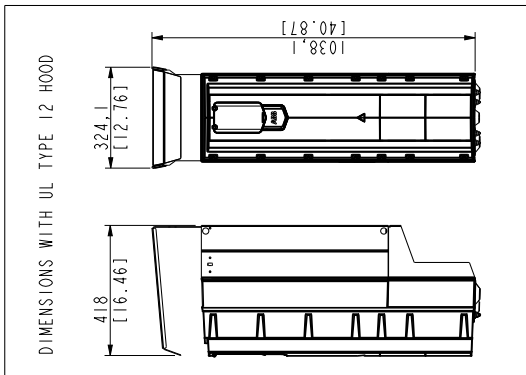
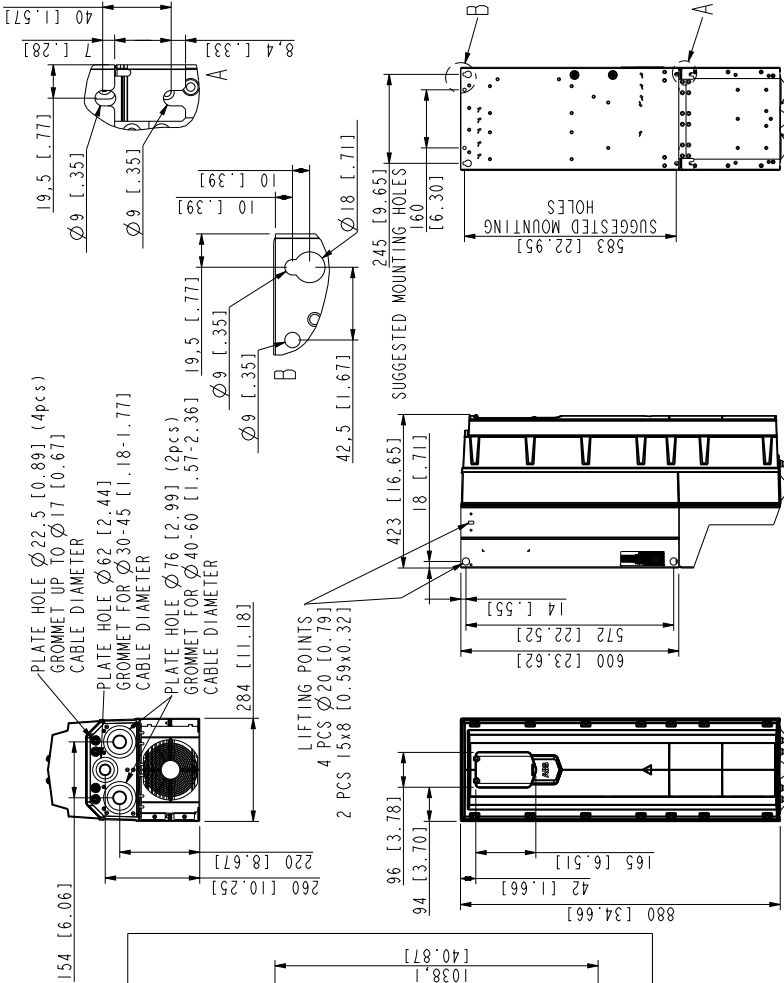
3AUA0000088321

# Frame R7 (IP21, UL Type 1)

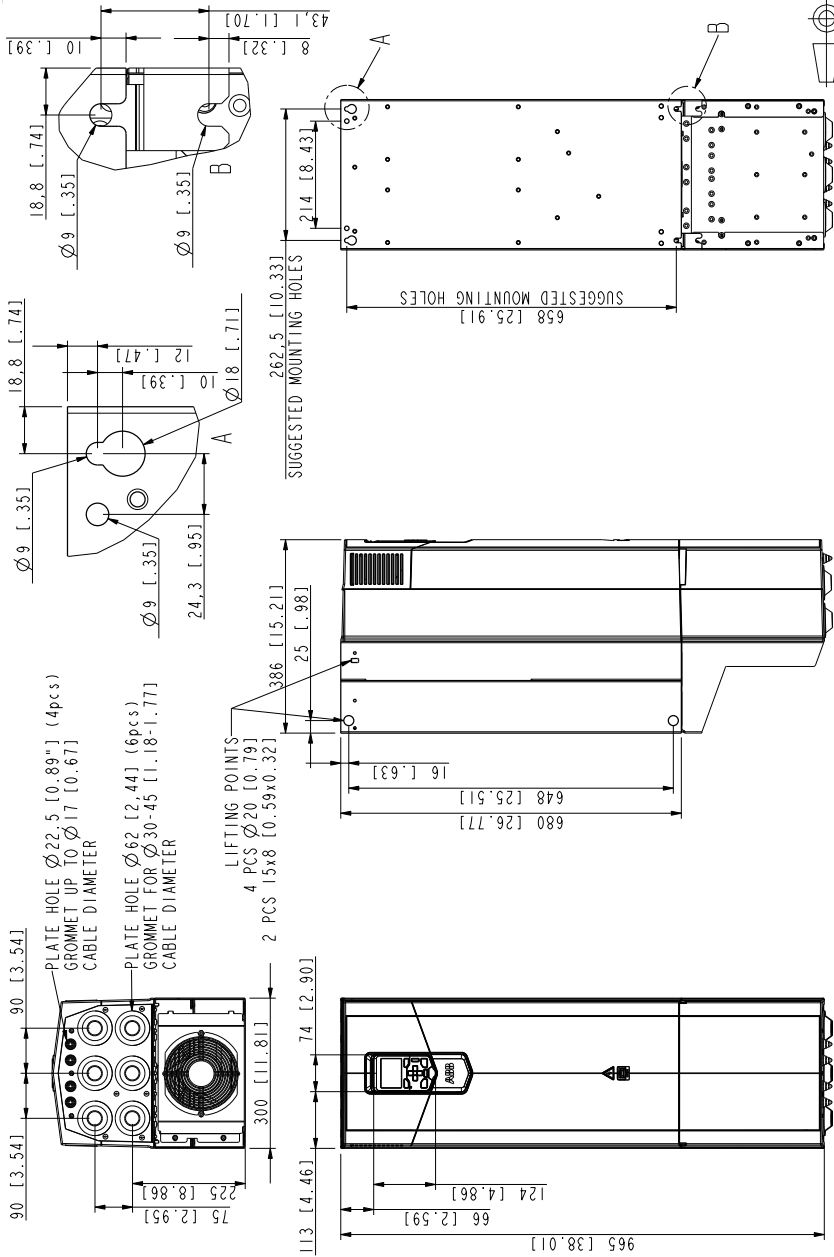


3AUA0000073149

# Frame R7 (IP55, UL Type 12)

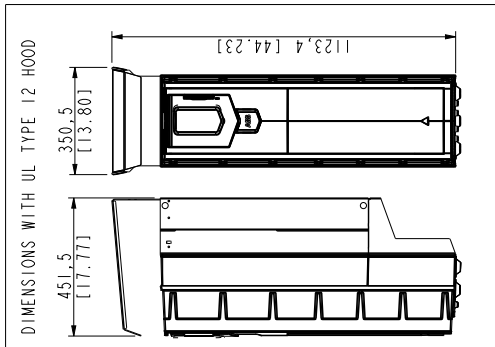
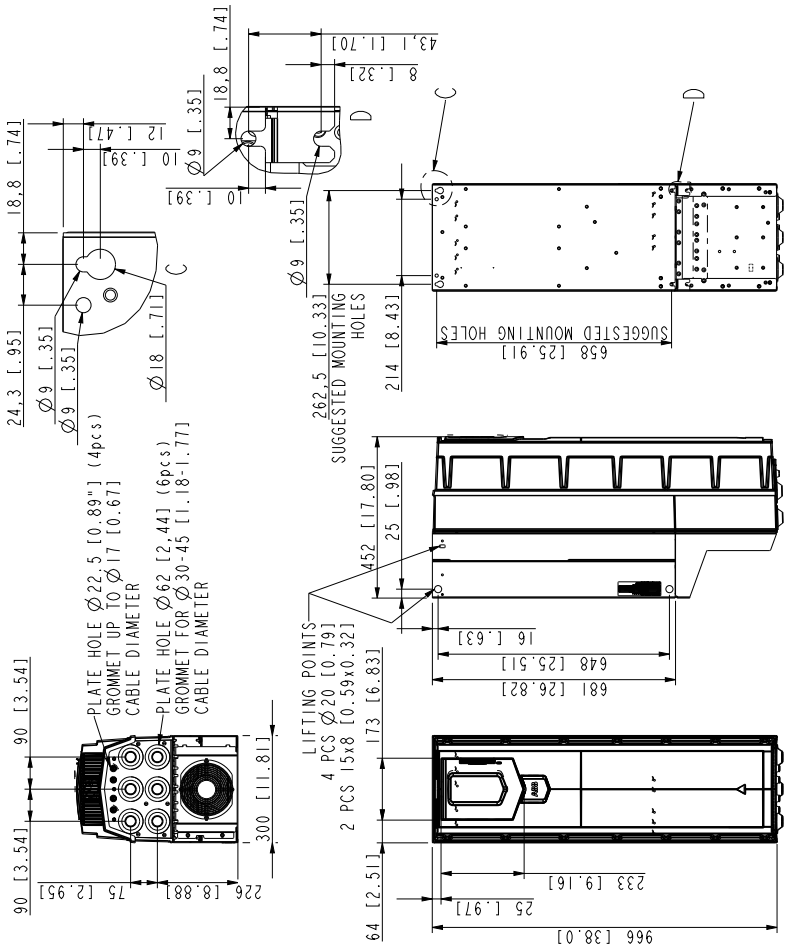


# Frame R8 (IP21, UL Type 1)

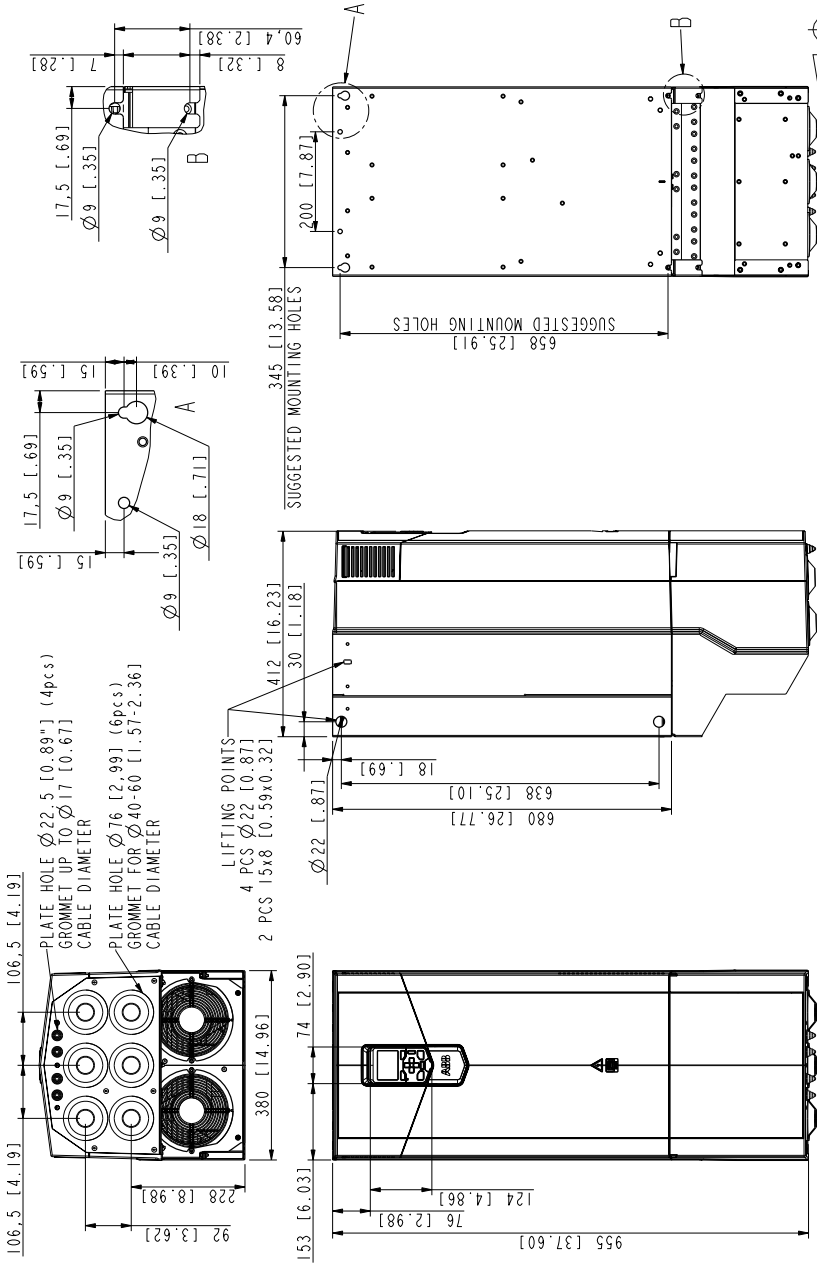


3AUA0000073150

# Frame R8 (IP55, UL Type 12)



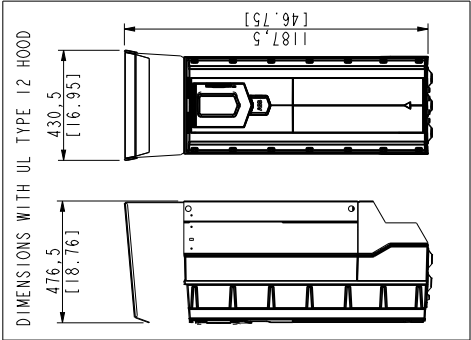
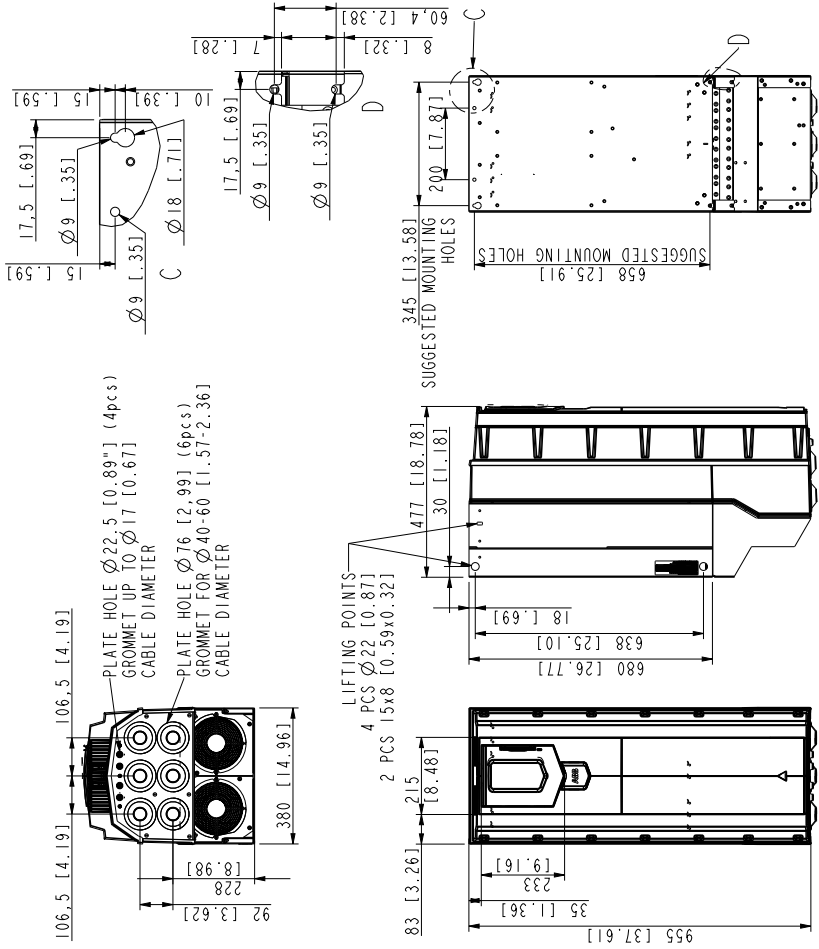
# Frame R9 (IP21, UL Type 1)



3AUA0000073151



# Frame R9 (IP55, UL Type 12)





# 13

## Safe Torque off function

---

### Contents of this chapter

This chapter describes the Safe torque off (STO) function of the drive and gives instructions for its use.

### Description

The Safe torque off function can be used, for example, to construct safety or supervision circuits that stop the drive in case of danger (such as an emergency stop circuit). Another possible application is a prevention of unexpected start-up switch that enables short-time maintenance operations like cleaning or work on non-electrical parts of the machinery without switching off the power supply to the drive.

When activated, the Safe torque off function disables the control voltage of the power semiconductors of the drive output stage (A, see diagram below), thus preventing the drive from generating the torque required to rotate the motor. If the motor is running when Safe torque off is activated, it coasts to a stop.

The Safe torque off function has a redundant architecture, that is, both channels must be used in the safety function implementation. The safety data given in this manual is calculated for redundant use, and does not apply if both channels are not used.

The Safe torque off function of the drive complies with these standards:

Standard	Name
EN 60204-1:2006 + AC:2010	<i>Safety of machinery – Electrical equipment of machines – Part 1: General requirements</i>

---

<b>Standard</b>	<b>Name</b>
IEC 61326-3-1:2008	<i>Electrical equipment for measurement, control and laboratory use – EMC requirements – Part 3-1: Immunity requirements for safety-related systems and for equipment intended to perform safety-related functions (functional safety) – General industrial applications</i>
IEC 61508-1:2010	<i>Functional safety of electrical/electronic/programmable electronic safety-related systems – Part 1: General requirements</i>
IEC 61508-2:2010	<i>Functional safety of electrical/electronic/programmable electronic safety-related systems – Part 2: Requirements for electrical/electronic/programmable electronic safety-related systems</i>
IEC 61511-1:2016	<i>Functional safety – Safety instrumented systems for the process industry sector</i>
IEC 61800-5-2:2016 EN 61800-5-2:2007	<i>Adjustable speed electrical power drive systems – Part 5-2: Safety requirements – Functional</i>
IEC 62061:2015 EN 62061:2005 +AC:2010+A1:2013+A2:2015	<i>Safety of machinery – Functional safety of safety-related electrical, electronic and programmable electronic control systems</i>
EN ISO 13849-1:2015	<i>Safety of machinery – Safety-related parts of control systems – Part 1: General principles for design</i>
EN ISO 13849-2:2012	<i>Safety of machinery – Safety-related parts of control systems – Part 2: Validation</i>

The function also corresponds to Prevention of unexpected start-up as specified by EN 1037:1995 + A1:2008 and Uncontrolled stop (stop category 0) as specified in EN 60204-1:2006 + AC:2010.

## ■ Compliance with the European Machinery Directive

See section [Compliance with the European Machinery Directive](#) on page 206.

## Wiring

The following diagrams show examples of Safe torque off wiring for

- a single drive (page 237)
- multiple drives (page 240)
- multiple drives when an external 24 V DC power supply is used (page 241).

For information on the specifications of the STO input, see section [Control unit \(ZCU-12\) connection data](#) on page 198.

## ■ Activation switch

In the wiring diagrams below, the activation switch has the designation (K). This represents a component such as a manually operated switch, an emergency stop push button switch, or the contacts of a safety relay or safety PLC.

- In case a manually operated activation switch is used, the switch must be of a type that can be locked out to the open position.
- The contacts of the switch or relay must open/close within 200 ms of each other.
- An FSO-xx safety functions module or an FPTC-0x thermistor protection module can also be used. For more information, see the module documentation.

## ■ Cable types and lengths

- Double-shielded twisted-pair cable is recommended.
- Maximum cable lengths:
  - 300 m (984 ft) between activation switch [K] and drive control unit
  - 60 m (200 ft) between multiple drives
  - 60 m (200 ft) between external power supply and first drive

**Note:** The voltage at the INx terminals of each drive must be at least 17 V DC to be interpreted as “1”.

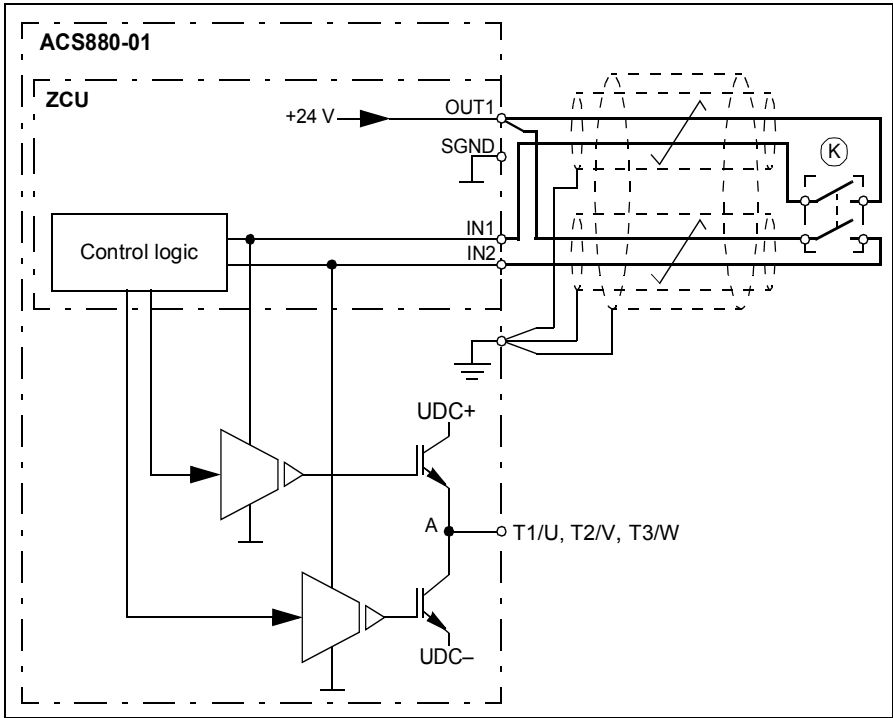
## ■ Grounding of protective shields

- Ground the shield in the cabling between the activation switch and the control unit at the control unit.
- Ground the shield in the cabling between two control units at one control unit only.

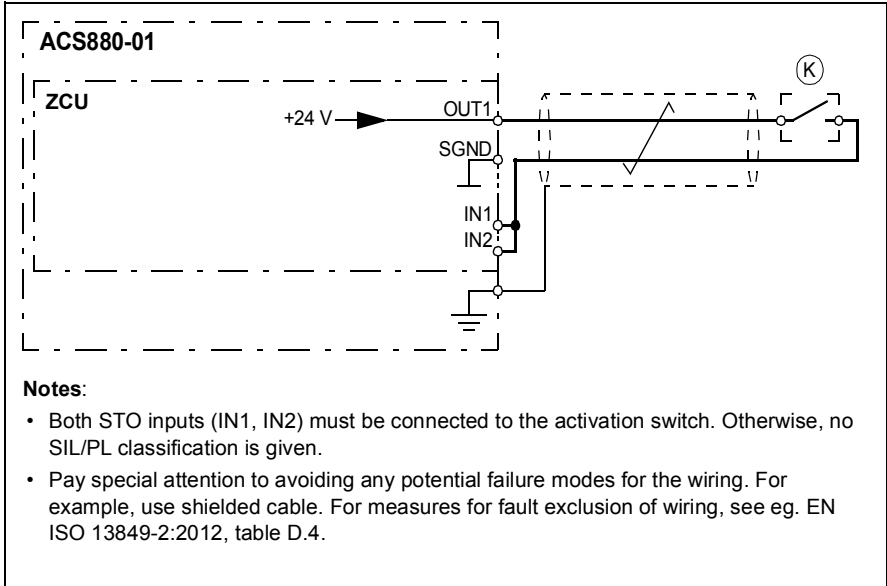
## ■ Single drive (internal power supply)

---

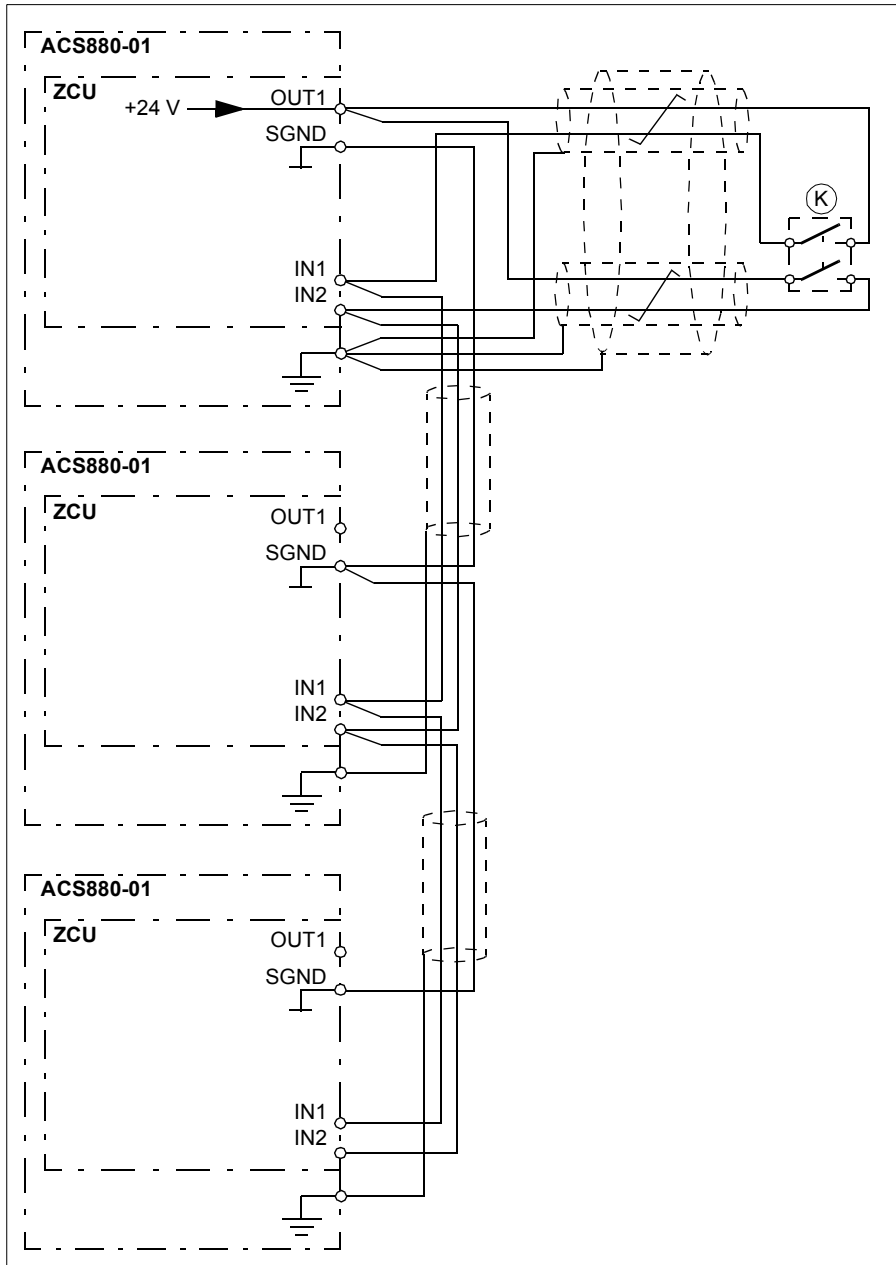
### Dual-channel connection



## Single-channel connection

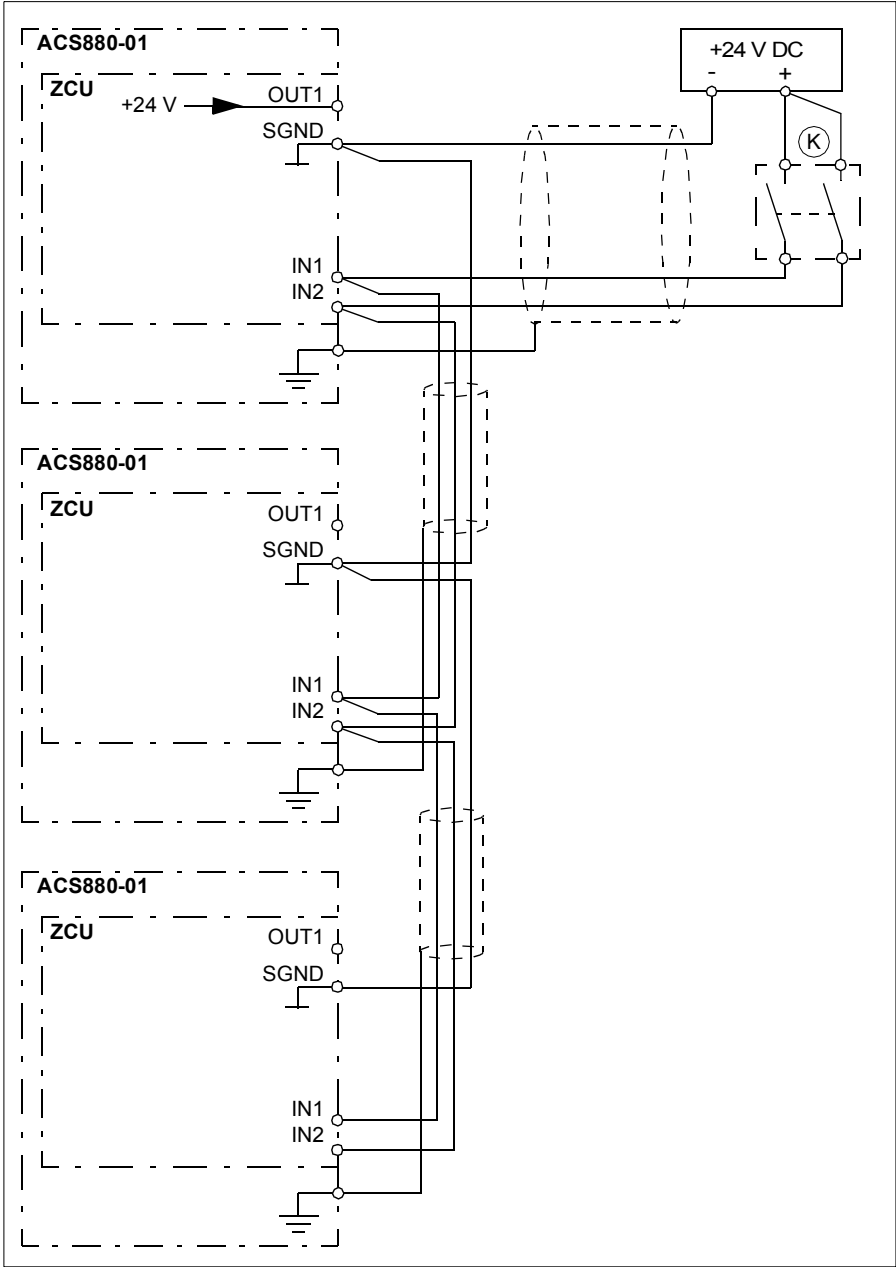


■ Multiple drives (internal power supply)





Multiple drives (external power supply)



## Operation principle

1. The Safe torque off activates (the activation switch is opened, or safety relay contacts open).
2. The STO inputs on the drive control unit de-energize.
3. The control unit cuts off the control voltage from the drive IGBTs.
4. The control program generates an indication as defined by parameter 31.22 (refer to the firmware manual of the drive).
5. Motor coasts to a stop (if running). The drive cannot restart while the activation switch or safety relay contacts are open. After the contacts close, a new start command is required to start the drive.

## Start-up including acceptance test

To ensure the safe operation of a safety function, validation is required. The final assembler of the machine must validate the function by performing an acceptance test.

The acceptance test must be performed

- at initial start-up of the safety function
- after any changes related to the safety function (circuit boards, wiring, components, settings, etc.)
- after any maintenance work related to the safety function.

### ■ Competence

The acceptance test of the safety function must be carried out by a competent person with adequate expertise and knowledge of the safety function as well as functional safety, as required by IEC 61508-1 clause 6. The test procedures and report must be documented and signed by this person.

### ■ Acceptance test reports


Signed acceptance test reports must be stored in the logbook of the machine. The report shall include documentation of start-up activities and test results, references to failure reports and resolution of failures. Any new acceptance tests performed due to changes or maintenance shall be logged into the logbook.

### ■ Acceptance test procedure

After wiring the Safe torque off function, validate its operation as follows.

**Note:** If the drive is equipped with safety option +Q972 or Q973, do the procedure shown in the FSO module documentation. If an FSO-xx safety functions module or an FPTC-0x module is installed, refer to its documentation.

---

<b>Action</b>	<input checked="" type="checkbox"/>
 <b>WARNING!</b> Follow the safety instructions given in <a href="#">Safety instructions</a> , page 13. Ignoring the instructions can cause physical injury or death, or damage to the equipment.	<input type="checkbox"/>
Ensure that the drive can be run and stopped freely during start-up.	<input type="checkbox"/>
Stop the drive (if running), switch the input power off and isolate the drive from the power line by a disconnecter.	<input type="checkbox"/>
Check the Safe torque off circuit connections against the wiring diagram.	<input type="checkbox"/>
Close the disconnecter and switch the power on.	<input type="checkbox"/>
<p>Test the operation of the STO function when the motor is stopped.</p> <ul style="list-style-type: none"> <li>• Give a stop command for the drive (if running) and wait until the motor shaft is at a standstill.</li> </ul> <p>Ensure that the drive operates as follows:</p> <ul style="list-style-type: none"> <li>• Open the STO circuit. The drive generates an indication if one is defined for 'stopped' state in parameter 31.22 (see the firmware manual).</li> <li>• Give a start command to verify that the STO function blocks the drive operation. The motor should not start.</li> <li>• Close the STO circuit.</li> <li>• Reset any active faults. Restart the drive and check that the motor runs normally.</li> </ul>	<input type="checkbox"/>
<p>Test the operation of the STO function when the motor is running.</p> <ul style="list-style-type: none"> <li>• Start the drive and ensure the motor is running.</li> <li>• Open the STO circuit. The motor should stop. The drive generates an indication if one is defined for 'running' state in parameter 31.22 (see the firmware manual).</li> <li>• Reset any active faults and try to start the drive.</li> <li>• Ensure that the motor stays at standstill and the drive operates as described above in testing the operation when the motor is stopped.</li> <li>• Close the STO circuit.</li> <li>• Reset any active faults. Restart the drive and check that the motor runs normally.</li> </ul>	<input type="checkbox"/>

Action	<input checked="" type="checkbox"/>
<p>Test the operation of the failure detection of the drive. The motor can be stopped or running.</p> <ul style="list-style-type: none"> <li>• Open the 1st channel of the STO circuit (wire coming to IN1). If the motor was running, it should coast to a stop. The drive generates a <i>FA81 Safe Torque Off 1 loss</i> fault indication (see the firmware manual).</li> <li>• Give a start command to verify that the STO function blocks the drive's operation. The motor should not start.</li> <li>• Close the STO circuit.</li> <li>• Reset any active faults. Restart the drive and check that the motor runs normally.</li> <li>• Open the 2nd channel of the STO circuit (wire coming to IN2). If the motor was running, it should coast to a stop. The drive generates a <i>FA82 Safe Torque Off 2 loss</i> fault indication (see the firmware manual).</li> <li>• Give a start command to verify that the STO function blocks the drive's operation. The motor should not start.</li> <li>• Close the STO circuit.</li> <li>• Reset any active faults. Restart the drive and check that the motor runs normally.</li> </ul>	<input type="checkbox"/>
Document and sign the acceptance test report which verifies that the safety function is safe and accepted for operation.	<input type="checkbox"/>

## Use

1. Open the activation switch, or activate the safety functionality that is wired to the STO connection.
2. STO inputs on the drive control unit de-energize, and the drive control unit cuts off the control voltage from the inverter IGBTs.
3. The control program generates an indication as defined by parameter 31.22 (refer to the firmware manual of the drive).
4. Motor coasts to a stop (if running). The drive will not restart while the activation switch or safety relay contacts are open.
5. Deactivate the STO by closing the activation switch, or resetting the safety functionality that is wired to the STO connection.
6. Reset any faults before restarting.



**WARNING!** The Safe torque off function does not disconnect the voltage of the main and auxiliary circuits from the drive. Therefore maintenance work on electrical parts of the drive or the motor can only be carried out after isolating the drive system from the main supply.

The Safe torque off function is supported by any ACS880 inverter or drive firmware. It is not supported by supply or brake firmware.



**WARNING!** (With permanent magnet or synchronous reluctance [SynRM] motors only) In case of a multiple IGBT power semiconductor failure, the drive system can produce an alignment torque which maximally rotates the motor shaft by  $180/p$  (with permanent magnet motors) or  $180/2p$  (with synchronous reluctance [SynRM] motors) degrees regardless of the activation of the Safe torque off function.  $p$  denotes the number of pole pairs.

---

#### Notes:

- If a running drive is stopped by using the Safe torque off function, the drive will cut off the motor supply voltage and the motor will coast to a stop. If this causes danger or is not otherwise acceptable, stop the drive and machinery using the appropriate stop mode before activating the Safe torque off function.
- The Safe torque off function overrides all other functions of the drive.
- The Safe torque off function is ineffective against deliberate sabotage or misuse.
- The Safe torque off function has been designed to reduce the recognized hazardous conditions. In spite of this, it is not always possible to eliminate all potential hazards. The assembler of the machine must inform the final user about the residual risks.

## Maintenance

After the operation of the circuit is validated at start-up, the STO function shall be maintained by periodic proof testing. In high demand mode of operation, the maximum proof test interval is 20 years. In low demand mode of operation, the maximum proof test interval is 5 or 2 years; see section [Safety data \(SIL, PL\)](#) (page 246). It is assumed that all dangerous failures of the STO circuit are detected by the proof test. To perform the proof test, do the [Acceptance test procedure](#) (page 242).

**Note:** See also the Recommendation of Use CNB/M/11.050 (published by the European co-ordination of Notified Bodies) concerning dual-channel safety-related systems with electromechanical outputs:

- When the safety integrity requirement for the safety function is SIL 3 or PL e (cat. 3 or 4), the proof test for the function must be performed at least every month.
- When the safety integrity requirement for the safety function is SIL 2 (HFT = 1) or PL d (cat. 3), the proof test for the function must be performed at least every 12 months.

The STO function of the drive does not contain any electromechanical components.

In addition to proof testing, it is a good practice to check the operation of the function when other maintenance procedures are carried out on the machinery.

---

Include the Safe torque off operation test described above in the routine maintenance program of the machinery that the inverter runs.

If any wiring or component change is needed after start up, or the parameters are restored, follow the test given in section [Acceptance test procedure](#) on page 242.

Use only ABB approved spare parts.

Record all maintenance and proof test activities in the machine logbook.

### ■ Competence

The maintenance and proof test activities of the safety function must be carried out by a competent person with adequate expertise and knowledge of the safety function as well as functional safety, as required by IEC 61508-1 clause 6.

## Fault tracing

The indications given during the normal operation of the Safe torque off function are selected by drive parameter 31.22.

The diagnostics of the Safe torque off function cross-compare the status of the two STO channels. In case the channels are not in the same state, a fault reaction function is performed and the drive trips on an “STO hardware failure” fault. An attempt to use the STO in a non-redundant manner, for example activating only one channel, will trigger the same reaction.

See the drive firmware manual for the indications generated by the drive, and for details on directing fault and warning indications to an output on the control unit for external diagnostics.

Any failures of the Safe torque off function must be reported to ABB.

## Safety data (SIL, PL)

The safety data for the Safe torque off function is given below.

**Note:** The safety data is calculated for redundant use, and does not apply if both STO channels are not used.

Frame size	SIL/SIL CL	SC	PL	SFF (%)	PFH (T <sub>1</sub> = 20 a) (1/h)	PFD <sub>avg</sub> (T <sub>1</sub> = 2 a)	PFD <sub>avg</sub> (T <sub>1</sub> = 5 a)	MTTF <sub>D</sub> (a)	DC (%)	Cat.	HFT	CCF	Life-time (a)
<i>U<sub>N</sub></i> = 230 V													
R1	3	3	e	>99	2.84E-09	2.37E-05	5.91E-05	10530	≥90	3	1	80	20
R2	3	3	e	>99	2.84E-09	2.37E-05	5.91E-05	10529	≥90	3	1	80	20
R3	3	3	e	>99	2.84E-09	2.37E-05	5.91E-05	10489	≥90	3	1	80	20
R4	3	3	e	>99	2.89E-09	2.41E-05	6.02E-05	10442	≥90	3	1	80	20
R5	3	3	e	>99	2.89E-09	2.41E-05	6.02E-05	10240	≥90	3	1	80	20

Frame size	SIL/ SIL CL	SC	PL	SFF (%)	PFH ( $T_1 = 20$ a) (1/h)	PFD <sub>avg</sub> ( $T_1 = 2$ a)	PFD <sub>avg</sub> ( $T_1 = 5$ a)	MTTF <sub>D</sub> (a)	DC (%)	Cat.	HFT	CCF	Life-time (a)
R6	3	3	e	>99	2.89E-09	2.41E-05	6.02E-05	10340	≥90	3	1	80	20
R7	3	3	e	>99	2.89E-09	2.41E-05	6.02E-05	10340	≥90	3	1	80	20
R8	3	3	e	>99	2.89E-09	2.41E-05	6.02E-05	10340	≥90	3	1	80	20
$U_N = 400$ V, $U_N = 500$ V													
R1	3	3	e	>99	2.84E-09	2.37E-05	5.91E-05	10530	≥90	3	1	80	20
R2	3	3	e	>99	2.84E-09	2.37E-05	5.91E-05	10529	≥90	3	1	80	20
R3	3	3	e	>99	2.84E-09	2.37E-05	5.91E-05	10489	≥90	3	1	80	20
R4	3	3	e	>99	2.89E-09	2.41E-05	6.02E-05	10442	≥90	3	1	80	20
R5	3	3	e	>99	2.89E-09	2.41E-05	6.02E-05	10240	≥90	3	1	80	20
R6	3	3	e	>99	2.89E-09	2.41E-05	6.02E-05	10340	≥90	3	1	80	20
R7	3	3	e	>99	2.89E-09	2.41E-05	6.02E-05	10340	≥90	3	1	80	20
R8	3	3	e	99.1	3.20E-09	2.66E-05	6.65E-05	10333	≥90	3	1	80	20
R9	3	3	e	99.1	3.20E-09	2.66E-05	6.65E-05	10333	≥90	3	1	80	20

3AXD1000006217

$U_N = 690$ V													
R3	3	3	e	99.3	2.94E-09	2.42E-05	6.05E-05	9295	≥90	3	1	80	20
R5	3	3	e	98.5	3.23E-09	2.67E-05	6.68E-05	5823	≥90	3	1	80	20
R6... R9	3	3	e	99.1	3.20E-09	2.66E-05	6.65E-05	10333	≥90	3	1	80	20

3AXD10000083197 Rev G

- This temperature profile is used in the safety value calculations:
  - 670 on/off cycles per year with  $\Delta T = 71.66$  °C
  - 1340 on/off cycles per year with  $\Delta T = 61.66$  °C
  - 30 on/off cycles per year with  $\Delta T = 10.0$  °C
  - 32 °C board temperature at 2.0% of time
  - 60 °C board temperature at 1.5% of time
  - 85 °C board temperature at 2.3% of time.
- The STO is a type A safety component as defined in IEC 61508-2.
- Relevant failure modes:
  - The STO trips spuriously (safe failure)
  - The STO does not activate when requested

A fault exclusion on the failure mode “short circuit on printed circuit board” has been made (EN 13849-2, table D.5). The analysis is based on an assumption that one failure occurs at one time. No accumulated failures have been analyzed.

- STO reaction time (shortest detectable break): 1 ms

- STO response time: 2 ms (typical), 5 ms (maximum)
- Fault detection time: Channels in different states for longer than 200 ms
- Fault reaction time: Fault detection time + 10 ms
- STO fault indication (parameter 31.22) delay: < 500 ms
- STO warning indication (parameter 31.22) delay: < 1000 ms

## ■ Abbreviations

Abbr.	Reference	Description
Cat.	EN ISO 13849-1	Classification of the safety-related parts of a control system in respect of their resistance to faults and their subsequent behavior in the fault condition, and which is achieved by the structural arrangement of the parts, fault detection and/or by their reliability. The categories are: B, 1, 2, 3 and 4.
CCF	EN ISO 13849-1	Common cause failure (%)
DC	EN ISO 13849-1	Diagnostic coverage
FIT	IEC 61508	Failure in time: 1E-9 hours
HFT	IEC 61508	Hardware fault tolerance
MTTF <sub>d</sub>	EN ISO 13849-1	Mean time to dangerous failure: (The total number of life units) / (the number of dangerous, undetected failures) during a particular measurement interval under stated conditions
PFD <sub>avg</sub>	IEC 61508	Average probability of dangerous failure on demand
PFH	IEC 61508	Average frequency of dangerous failures per hour
PL	EN ISO 13849-1	Performance level. Levels a...e correspond to SIL
SC	IEC 61508	Systematic capability
SFF	IEC 61508	Safe failure fraction (%)
SIL	IEC 61508	Safety integrity level (1...3)
SILCL	IEC/EN 62061	Maximum SIL (level 1...3) that can be claimed for a safety function or subsystem
SS1	IEC/EN 61800-5-2	Safe stop 1
STO	IEC/EN 61800-5-2	Safe torque off
T1	IEC 61508-6	Proof test interval. T1 is a parameter used to define the probabilistic failure rate (PFH or PFD) for the safety function or subsystem. Performing a proof test at a maximum interval of T1 is required to keep the SIL capability valid. The same interval must be followed to keep the PL capability (EN ISO 13849) valid. Note that any T1 values given cannot be regarded as a guarantee or warranty. See also section <a href="#">Maintenance</a> on page 245.



# 14

## Resistor braking

---

### What this chapter contains

This chapter describes how to select, protect and wire brake choppers and resistors. The chapter also contains technical data.

### Operation principle and hardware description

Frames R1 to R4 have a built-in brake chopper as standard. Frames R5 and up can be equipped with optional built-in brake chopper (+D150). Brake resistors are available as add-on kits.

The brake chopper handles the energy generated by a decelerating motor. The chopper connects the brake resistor to the intermediate DC circuit whenever the voltage in the circuit exceeds the limit defined by the control program. Energy consumption by the resistor losses lowers the voltage until the resistor can be disconnected.

### Planning the braking system

#### ■ Selecting the brake circuit components

1. Calculate the maximum power generated by the motor during braking ( $P_{max}$ ).
  2. Select a suitable drive, brake chopper and brake resistor combination for the application from the rating table on page [255](#). The braking power of the chopper must be greater or equal than the maximum power generated by the motor during the braking.
  3. Check the resistor selection. The energy generated by the motor during a 400-second period must not exceed the resistor heat dissipation capacity  $E_R$ .
-

**Note:** If the  $E_R$  value is not sufficient, it is possible to use a four-resistor assembly in which two standard resistors are connected in parallel, two in series. The  $E_R$  value of the four-resistor assembly is four times the value specified for the standard resistor.

### ■ Selecting a custom resistor

If you use a resistor other than the default resistor, make sure that:

1. The resistance of the custom resistor is greater or equal than the resistance of the default resistor in the rating table on page [255](#):

$$R \geq R_{\min}$$

where

$R$  Resistance of the custom resistor.



**WARNING!** Never use a brake resistor with a resistance smaller than  $R_{\min}$ . The drive and the chopper are not able to handle the overcurrent caused by the low resistance.

$R_{\min}$  Resistance of the default resistor

2. The load capacity of the custom resistor is higher than the instantaneous maximum power consumption of the resistor when it is connected to the drive DC link voltage by the chopper:

$$P_r < \frac{U_{DC}^2}{R}$$

where

$P_r$  Load capacity of the custom resistor

$U_{DC}$  Drive DC link voltage.

1.35 · 1.25 · 415 V DC (when supply voltage is 380 to 415 V AC)

1.35 · 1.25 · 500 V DC (when supply voltage is 440 to 500 V AC) or

1.35 · 1.25 · 690 V DC (when supply voltage is 525 to 690 AC)

$R$  Resistance of the custom resistor

### ■ Selecting and routing the brake resistor cables

Use the same cable type for the resistor cabling as for the drive input cabling to ensure that the input fuses also protect the resistor cable. Alternatively, a two conductor shielded cable with the same cross-sectional area can be used.

## Minimizing electromagnetic interference

Follow these rules in order to minimize electromagnetic interference caused by the rapid current changes in the resistor cables:

- Shield the braking power line completely, either by using shielded cable or a metallic enclosure. Unshielded single-core cable can only be used if it is routed inside a cabinet that efficiently suppresses the radiated emissions.
- Install the cables away from other cable routes.
- Avoid long parallel runs with other cables. The minimum parallel cabling separation distance should be 0.3 meters.
- Cross the other cables at right angles.
- Keep the cable as short as possible in order to minimize the radiated emissions and stress on chopper IGBTs. The longer the cable the higher the radiated emissions, inductive load and voltage peaks over the IGBT semiconductors of the brake chopper.

## Maximum cable length

The maximum length of the resistor cable(s) is 10 m (33 ft).

## EMC compliance of the complete installation

**Note:** ABB has not verified that the EMC requirements are fulfilled with external user-defined brake resistors and cabling. The EMC compliance of the complete installation must be considered by the customer.

## ■ Placing the brake resistors

Install the resistors outside the drive in a place where they will cool.

Arrange the cooling of the resistor in a way that:

- no danger of overheating is caused to the resistor or nearby materials
- the temperature of the room the resistor is located in does not exceed the allowed maximum.

Supply the resistor with cooling air/water according to the resistor manufacturer's instructions.



**WARNING!** The materials near the brake resistor must be non-flammable. The surface temperature of the resistor is high. Air flowing from the resistor is of hundreds of degrees Celsius. If the exhaust vents are connected to a ventilation system, ensure that the material withstands high temperatures. Protect the resistor against contact.

---

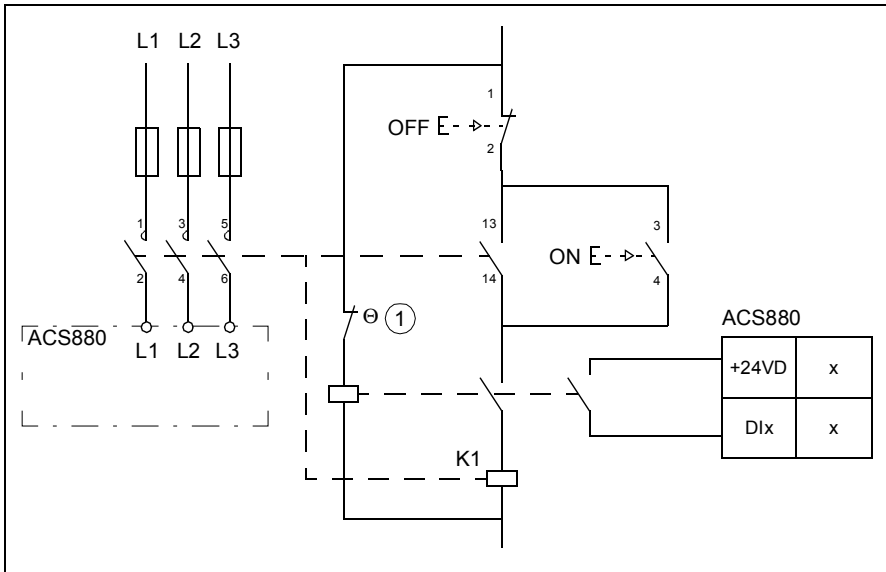
## ■ Protecting the system against thermal overload

The brake chopper protects itself and the resistor cables against thermal overload when the cables are dimensioned according to the nominal current of the drive. The drive control program includes a resistor and resistor cable thermal protection function which can be tuned by the user. See the firmware manual.

### Frames R1 to R4

Equipping the drive with a main contactor is highly recommended for safety reasons. Wire the contactor so that it opens in case the resistor overheats. This is essential for safety since the drive will not otherwise be able to interrupt the main supply if the chopper remains conductive in a fault situation. An example wiring diagram is shown below. ABB resistors are equipped with a thermal switch (1) inside the resistor assembly as standard. The switch indicates overtemperature and overload.

We recommend that you also wire the thermal switch to a digital input of the drive.

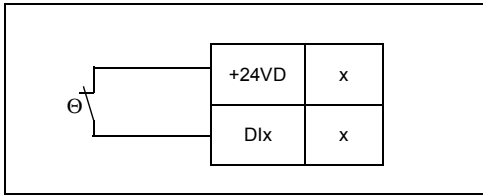


### Frames R5 to R9

A main contactor is not required for protecting against resistor overheating when the resistor is dimensioned according to the instructions and the internal brake chopper is in use. The drive will disable power flow through the input bridge if the chopper remains conductive in a fault situation but the charging resistor may fail.

**Note:** If an external brake chopper (outside the drive module) is used, a main contactor is always required.

A thermal switch (standard in ABB resistors) is required for safety reasons. The thermal switch cable must be shielded and may not be longer than the resistor cable. Wire the switch to a digital input on the drive control unit as shown in the figure below.



### ■ Protecting the resistor cable against short-circuits

The input fuses will also protect the resistor cable when it is identical with the input cable.

## Mechanical installation

All brake resistors must be installed outside the drive. Follow the resistor manufacturer's instructions.

## Electrical installation

### ■ Checking the insulation of the assembly

Follow the instructions given under [Brake resistor assembly](#) on page 92.

### ■ Connection diagram

See section [Connection diagram](#) on page 94.

### ■ Connection procedure

- Connect the resistor cables to the R+ and R- terminals in the same way as the other power cables. If a shielded three-conductor cable is used, cut the third conductor, insulate it, and ground the twisted shield of the cable (protective earth conductor of the resistor assembly) at both ends.
- Connect the thermal switch of the brake resistor as described above in section [Frames R1 to R4](#) or [Frames R5 to R9](#).

## Start-up

**Note:** Protective oil on the brake resistors will burn off when the brake resistor is used for the first time. Make sure that the airflow is sufficient.

Set the following parameters (ACS880 primary control program):

- Disable the overvoltage control of the drive by parameter **30.30 Overvoltage control**.
- Set parameter **31.01 External event 1 source** to point to the digital input where the thermal switch of the brake resistor is wired.
- Set parameter **31.02 External event 1 type** to **Fault**.
- Enable the brake chopper by parameter **43.06 Brake chopper enable**. If **Enabled with thermal model** is selected, set also the brake resistor overload protection parameters 43.08 and 43.09 according to the application.
- For frames R5 to R9: Set parameter **43.07 Brake chopper runtime enable to Other [bit]** and select from parameter **10.01 DI status** the digital input where the thermal switch of the brake resistor is wired.
- Check the resistance value of parameter **43.10 Brake resistance**.

With these parameter settings, the drive stops by coasting on brake resistor overtemperature.



**WARNING!** If the drive is equipped with a brake chopper but the chopper is not enabled by the parameter setting, the internal thermal protection of the drive against resistor overheating is not in use. In this case, the brake resistor must be disconnected.

---

For settings of other control programs, see the appropriate firmware manual.

---

## Technical data

### ■ Ratings

Drive type	Internal brake chopper		Example brake resistor(s)			
	$P_{brcont}$	$R_{min}$	Type	R	$E_R$	$P_{Rcont}$
	kW	ohm		ohm	kJ	kW
$U_N = 230\text{ V}$						
ACS880-01-04A6-2	0.75	65	JBR-03	80	40	0.14
ACS880-01-06A6-2	1.1	65	JBR-03	80	40	0.14
ACS880-01-07A5-2	1.5	65	JBR-03	80	40	0.14
ACS880-01-10A6-2	2.2	65	JBR-03	80	40	0.14
ACS880-01-16A8-2	4.0	18	SACE15RE22	22	420	2
ACS880-01-24A3-2	5.5	18	SACE15RE22	22	420	2
ACS880-01-031A-2	7.5	13	SACE15RE13	13	435	2
ACS880-01-046A-2	11	12	SACE15RE13	13	435	2
ACS880-01-061A-2	11	12	SACE15RE13	13	435	2
ACS880-01-075A-2	18.5	6	SAFUR90F575	8	1800	4.5
ACS880-01-087A-2	22	6	SAFUR90F575	8	1800	4.5
ACS880-01-115A-2	30	3.5	SAFUR125F500	4	3600	9
ACS880-01-145A-2	37	3.5	SAFUR125F500	4	3600	9
ACS880-01-170A-2	45	2.4	SAFUR200F500	2.7	5400	13.5
ACS880-01-206A-2	55	2.4	SAFUR200F500	2.7	5400	13.5
ACS880-01-274A-2	75	1.8	SAFUR200F500	2.7	5400	13.5
$U_N = 400\text{ V}$						
ACS880-01-02A4-3	0.75	78	JBR-03	80	40	0.14
ACS880-01-03A3-3	1.1	78	JBR-03	80	40	0.14
ACS880-01-04A0-3	1.5	78	JBR-03	80	40	0.14
ACS880-01-05A6-3	2.2	78	JBR-03	80	40	0.14
ACS880-01-07A2-3	3.0	78	JBR-03	80	40	0.14
ACS880-01-09A4-3	4.0	78	JBR-03	80	40	0.14
ACS880-01-12A6-3	5.5	78	JBR-03	80	40	0.14
ACS880-01-017A-3	7.5	39	SACE08RE44	44	210	1
ACS880-01-025A-3	11	39	SACE08RE44	44	210	1
ACS880-01-032A-3	15	19	SACE15RE22	22	420	2
ACS880-01-038A-3	18.5	19	SACE15RE22	22	420	2
ACS880-01-045A-3	22	13	SACE15RE13	13	435	2
ACS880-01-061A-3	22	13	SACE15RE13	13	435	2
ACS880-01-072A-3	37	8	SAFUR90F575	8	1800	4.5
ACS880-01-087A-3	45	8	SAFUR90F575	8	1800	4.5
ACS880-01-105A-3	55	5.4	SAFUR80F500	6	2400	6
ACS880-01-145A-3	75	5.4	SAFUR80F500	6	2400	6

Drive type	Internal brake chopper		Example brake resistor(s)			
	$P_{brcont}$	$R_{min}$	Type	R	$E_R$	$P_{Rcont}$
	kW	ohm		ohm	kJ	kW
ACS880-01-169A-3	90	3.3	SAFUR125F500	4	3600	9
ACS880-01-206A-3	110	3.3	SAFUR125F500	4	3600	9
ACS880-01-246A-3	132	2.3	SAFUR200F500	2.7	5400	13.5
ACS880-01-293A-3	132	2.3	SAFUR200F500	2.7	5400	13.5
ACS880-01-363A-3	160	2.0	SAFUR200F500	2.7	5400	13.5
ACS880-01-430A-3	160	2.0	SAFUR200F500	2.7	5400	13.5
$U_N = 500\text{ V}$						
ACS880-01-02A1-5	0.75	78	JBR-03	80	40	0.14
ACS880-01-03A0-5	1.1	78	JBR-03	80	40	0.14
ACS880-01-03A4-5	1.5	78	JBR-03	80	40	0.14
ACS880-01-04A8-5	2.2	78	JBR-03	80	40	0.14
ACS880-01-05A2-5	3.0	78	JBR-03	80	40	0.14
ACS880-01-07A6-5	4.0	78	JBR-03	80	40	0.14
ACS880-01-11A0-5	5.5	78	JBR-03	80	40	0.14
ACS880-01-014A-5	7.5	39	SACE08RE44	44	210	1
ACS880-01-021A-5	11	39	SACE08RE44	44	210	1
ACS880-01-027A-5	15	19	SACE15RE22	22	420	2
ACS880-01-034A-5	18.5	19	SACE15RE22	22	420	2
ACS880-01-040A-5	22	13	SACE15RE13	13	435	2
ACS880-01-052A-5	22	13	SACE15RE13	13	435	2
ACS880-01-065A-5	37	8	SAFUR90F575	8	1800	4.5
ACS880-01-077A-5	45	8	SAFUR90F575	8	1800	4.5
ACS880-01-096A-5	55	5.4	SAFUR80F500	6	2400	6
ACS880-01-124A-5	75	5.4	SAFUR80F500	6	2400	6
ACS880-01-156A-5	90	3.3	SAFUR125F500	4	3600	9
ACS880-01-180A-5	110	3.3	SAFUR125F500	4	3600	9
ACS880-01-240A-5	132	2.3	SAFUR200F500	2.7	5400	13.5
ACS880-01-260A-5	132	2.3	SAFUR200F500	2.7	5400	13.5
ACS880-01-302A-5	160	2.3	SAFUR200F500	2.7	5400	13.5
ACS880-01-361A-5	160	2.3	SAFUR200F500	2.7	5400	13.5
ACS880-01-414A-5	160	2.3	SAFUR200F500	2.7	5400	13.5
$U_N = 690\text{ V}$						
ACS880-01-07A4-7	5.5	44	SACE08RE44	44	210	1
ACS880-01-09A9-7	7.5	44	SACE08RE44	44	210	1
ACS880-01-14A3-7	11.0	44	SACE08RE44	44	210	1
ACS880-01-019A-7	15.0	44	SACE08RE44	44	210	1
ACS880-01-023A-7	18.5	44	SACE08RE44	44	210	1
ACS880-01-027A-7	22.0	44	SACE08RE44	44	210	1



Drive type	Internal brake chopper		Example brake resistor(s)			
	$P_{brcont}$	$R_{min}$	Type	R	$E_R$	$P_{Rcont}$
	kW	ohm		ohm	kJ	kW
ACS880-01-07A3-7	6	18	SACE08RE44	44	210	1
ACS880-01-09A8-7	8	18	SACE08RE44	44	210	1
ACS880-01-14A2-7	11	18	SACE08RE44	44	210	1
ACS880-01-018A-7	17	18	SACE15RE22	22	420	2
ACS880-01-022A-7	23	18	SACE15RE22	22	420	2
ACS880-01-026A-7	28	18	SACE15RE22	22	420	2
ACS880-01-035A-7	33	18	SACE15RE22	22	420	2
ACS880-01-042A-7	45	18	SACE15RE22	22	420	2
ACS880-01-049A-7	45	18	SACE15RE22	22	420	2
ACS880-01-061A-7	55	13	SACE15RE13	13	435	2
ACS880-01-084A-7	65	13	SACE15RE13	13	435	2
ACS880-01-098A-7	90	8	SAFUR90F575	8	1800	4.5
ACS880-01-119A-7	110	8	SAFUR90F575	8	1800	4.5
ACS880-01-142A-7	132	6	SAFUR80F500	6	2400	6
ACS880-01-174A-7	160	6	SAFUR80F500	6	2400	6
ACS880-01-210A-7	200	4	SAFUR125F500	4	3600	9
ACS880-01-271A-7	200	4	SAFUR125F500	4	3600	9

3AXD00000588487

$P_{brcont}$  Maximum continuous braking power. The braking is considered continuous if the braking time exceeds 30 seconds.

$R_{min}$  The minimum allowed resistance value of the brake resistor

$R$  Resistance value for the listed resistor assembly

$E_R$  Short energy pulse that the resistor assembly withstands every 400 seconds

$P_{Rcont}$  Continuous power (heat) dissipation of the resistor when placed correctly  
The rating apply at an ambient temperature of 40 °C (104 °F)

### ■ Degree of protection and thermal constant of the resistors

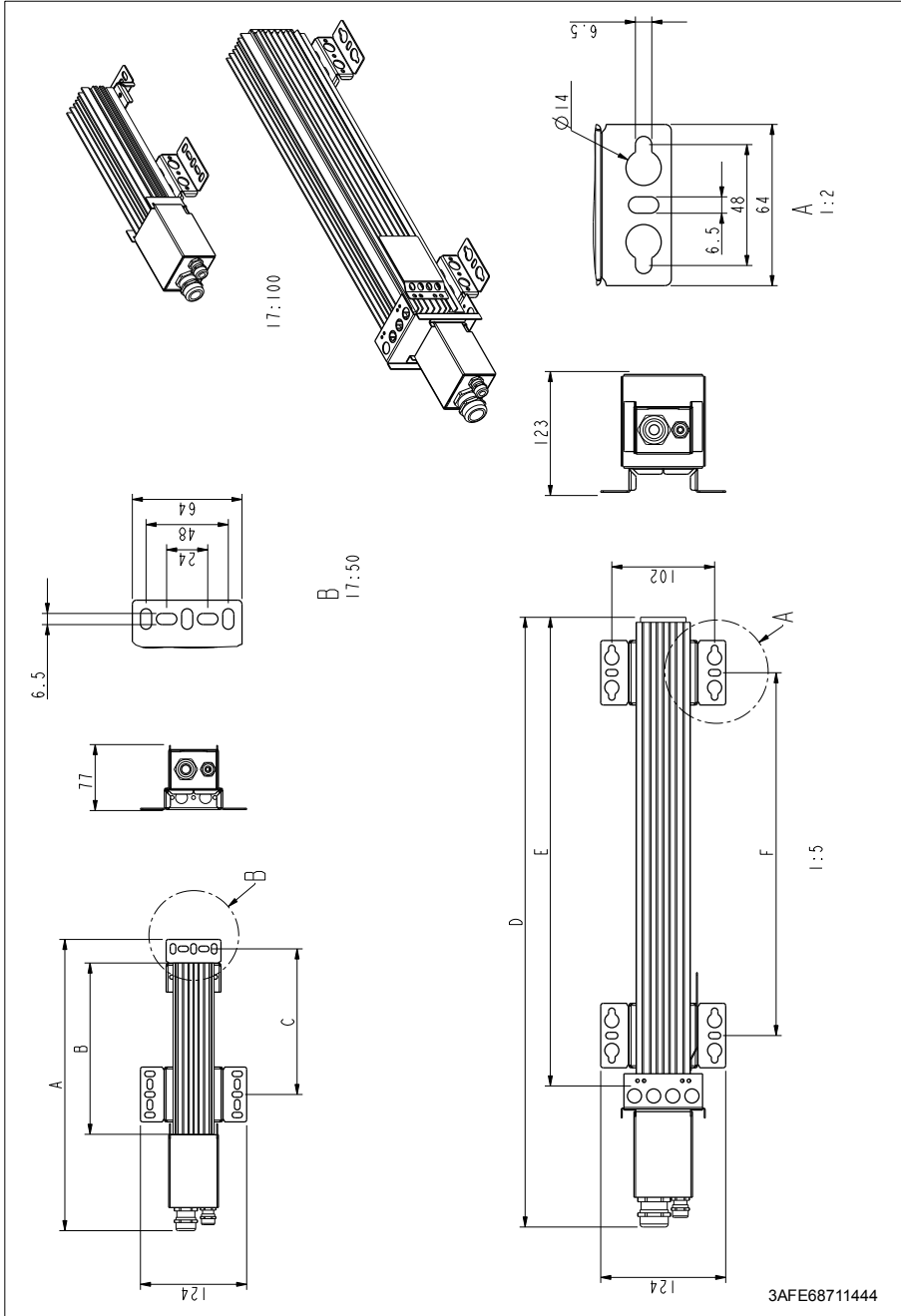
Resistor type	Degree of protection	Thermal constant (s)
JBR-03	IP20	
SACE	IP21	200
SAFUR	IP00	555

### ■ Terminals and cable lead-through data

See section [Terminal and lead-through data for the power cables](#) on page 194.

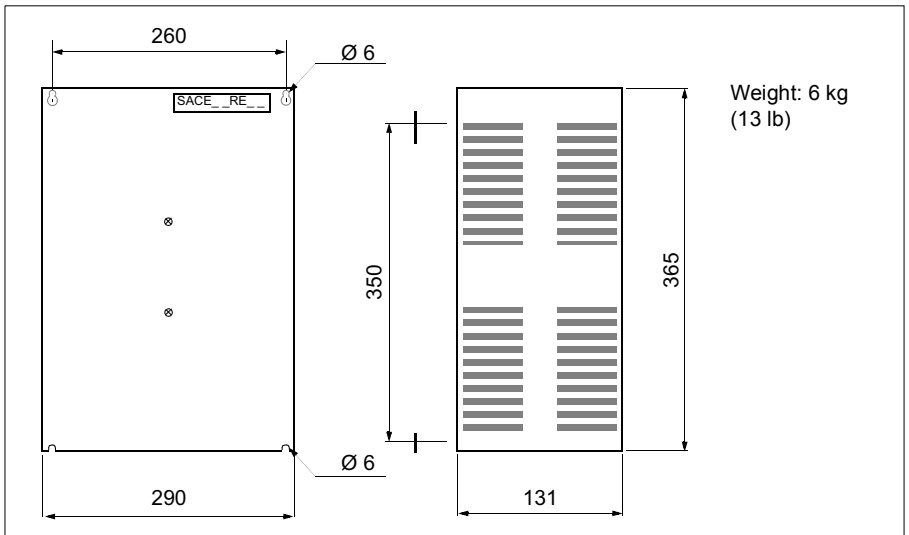
## Dimensions and weights of external resistors

**JBR-03**

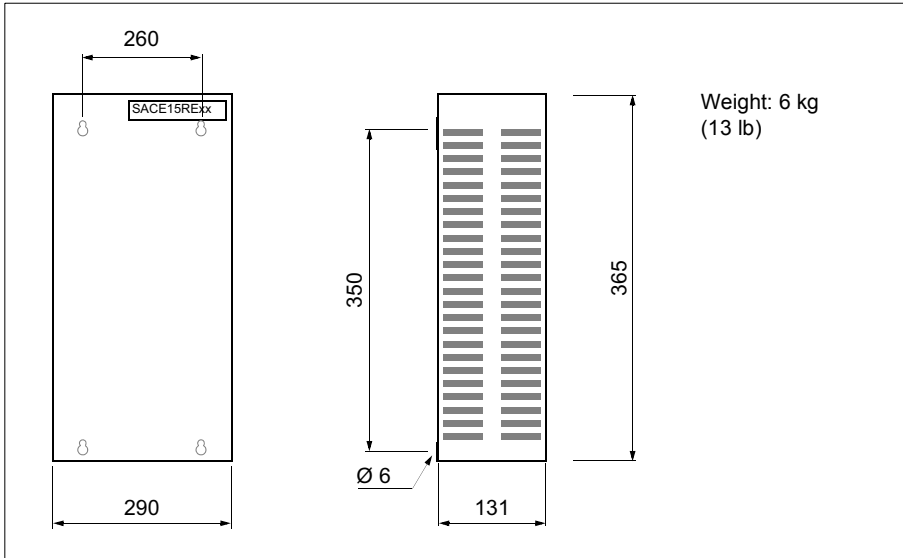


<b>JBR-03 brake resistor</b>	
<b>Dimension A</b>	340 mm (13.39 in)
<b>Dimension B</b>	200 mm (7.87 in)
<b>Dimension C</b>	170 mm (6.69 in)
<b>Weight</b>	0.8 kg (1.8 lb)
<b>Maximum wire size of main terminals</b>	10 mm <sup>2</sup> (AWG6)
<b>Tightening torque of main terminals</b>	1.5 ... 1.8 N·m (13 ... 16 lbf·in)
<b>Wire size of thermal switch terminals</b>	4 mm <sup>2</sup> (AWG12)
<b>Tightening torque of thermal switch terminals</b>	0.6 ... 0.8 N·m (5.3 ... 7.1 lbf·in)

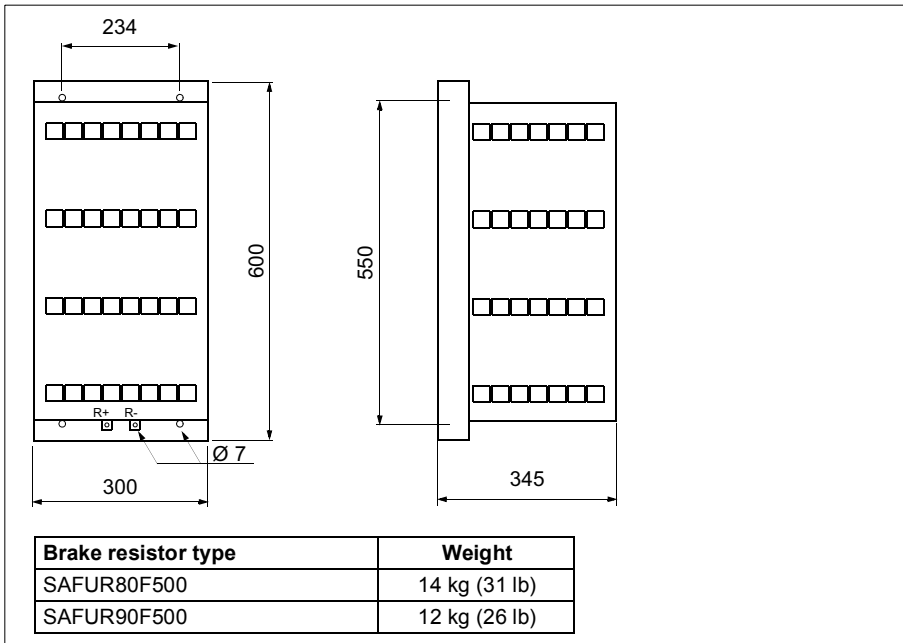
■ **SACE08RE44**



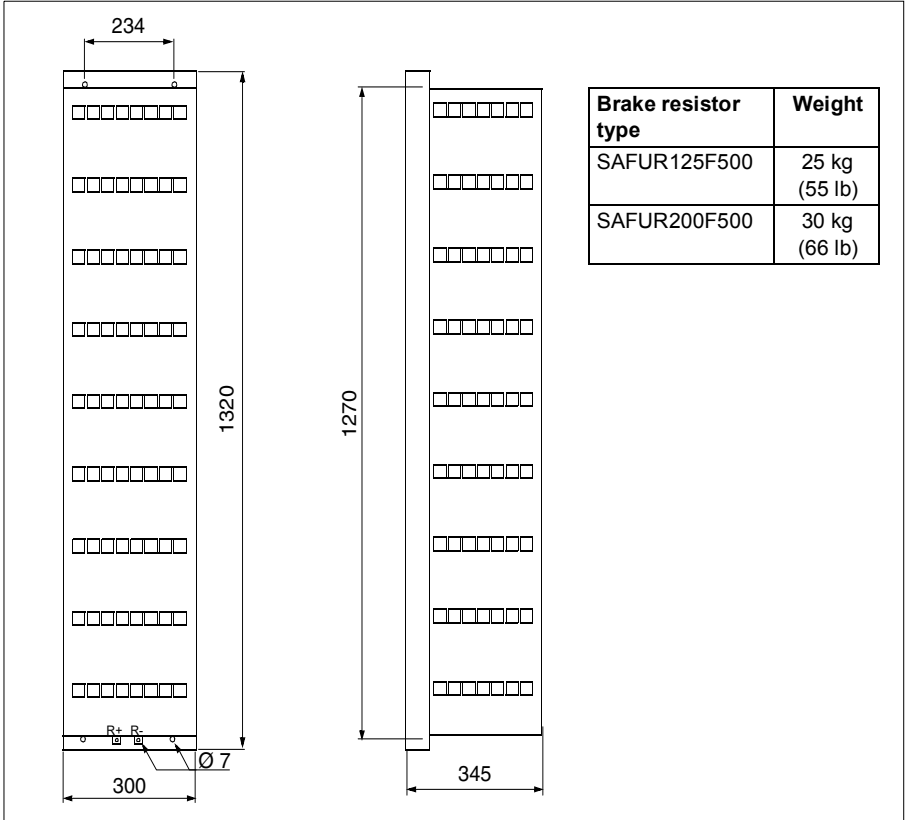
■ **SACE15RE13 and SACE15RE22**



■ **SAFUR80F500 and SAFUR90F575**



■ SAFUR125F500 and SAFUR200F500





# 15

## Common mode, du/dt and sine filters

---

### What this chapter contains

This chapter describes how to select external filters for the drive.

### Common mode filters

#### ■ When is a common mode filter needed?

See section [Checking the compatibility of the motor and drive](#), page 60. A common mode filter kit is available from ABB with order number is 64315811 for the drive. The kit includes three wound cores. For installation instructions of the cores, see the instruction included in the core package.

### du/dt filters

#### ■ When is a du/dt filter needed?

See section [Checking the compatibility of the motor and drive](#), page 60.

---

### ■ du/dt filter types

Drive type ACS880-01-	du/dt filter type	Drive type ACS880-01-	du/dt filter type	Drive type ACS880-01-	du/dt filter type
$U_N = 400\text{ V}$		$U_N = 500\text{ V}$		$U_N = 690\text{ V}$	
02A4-3	NOCH0016-6X	02A1-5	NOCH0016-6X	07A4-7	NOCH0016-6X
03A3-3	NOCH0016-6X	03A0-5	NOCH0016-6X	09A9-7	NOCH0016-6X
04A0-3	NOCH0016-6X	03A4-5	NOCH0016-6X	14A3-7	NOCH0016-6X
05A6-3	NOCH0016-6X	04A8-5	NOCH0016-6X	019A-7	NOCH0030-6X
07A2-3	NOCH0016-6X	05A2-5	NOCH0016-6X	023A-7	NOCH0030-6X
09A4-3	NOCH0016-6X	07A6-5	NOCH0016-6X	027A-7	NOCH0030-6X
12A6-3	NOCH0016-6X	11A0-5	NOCH0016-6X	07A3-7	NOCH0016-6X
017A-3	NOCH0030-6X	014A-5	NOCH0030-6X	09A8-7	NOCH0016-6X
025A-3	NOCH0030-6X	021A-5	NOCH0030-6X	14A2-7	NOCH0016-6X
032A-3	NOCH0070-6X	027A-5	NOCH0070-6X	018A-7	NOCH0030-6X
038A-3	NOCH0070-6X	034A-5	NOCH0070-6X	022A-7	NOCH0030-6X
045A-3	NOCH0070-6X	040A-5	NOCH0070-6X	026A-7	NOCH0030-6X
061A-3	NOCH0070-6X	052A-5	NOCH0070-6X	035A-7	NOCH0070-6X
072A-3	NOCH0120-6X	065A-5	NOCH0120-6X	042A-7	NOCH0070-6X
087A-3	NOCH0120-6X	077A-5	NOCH0120-6X	049A-7	NOCH0070-6X
105A-3	NOCH0120-6X	096A-5	NOCH0120-6X	061A-7	NOCH0120-6X
145A-3	FOCH0260-7X	124A-5	FOCH0260-7X	084A-7	NOCH0120-6X
169A-3	FOCH0260-7X	156A-5	FOCH0260-7X	098A-7	NOCH0120-6X
206A-3	FOCH0260-7X	180A-5	FOCH0260-7X	119A-7	FOCH0260-7X
246A-3	FOCH0260-7X	240A-5	FOCH0260-7X	142A-7	FOCH0260-7X
293A-3	FOCH0260-7X	260A-5	FOCH0260-7X	174A-7	FOCH0260-7X
363A-3	FOCH0320-5X	302A-5	FOCH0320-5X	210A-7	FOCH0260-7X
430A-3	FOCH0320-5X	361A-5	FOCH0320-5X	271A-7	FOCH0260-7X
-	-	414A-5	FOCH0320-5X	-	-

3AXD0000588487

### ■ Description, installation and technical data of the FOCH filters

See *FOCH du/dt filters hardware manual* (3AFE68577519 [English]).

### ■ Description, installation and technical data of the NOCH filters

See *AOCH and NOCH du/dt filters hardware manual* (3AFE58933368 [English]).



## Sine filters

### ■ Selecting a sine filter for a drive

Check housing of sine filters from the manufacturer.

Drive type ACS880-01-...	Sine filter type	$I_{\text{cont. max}}$	$P_{\text{cont. max}}$	Heat dissipation			Noise
				Drive	Filter	Total	
		A	kW	W	W	W	dB(A)
$U_N = 400 \text{ V}$							
02A4-3	B84143V0004R229*	2.3	1.7	30	60	90	72
03A3-3	B84143V0004R229*	3.1	2.3	40	60	100	72
04A0-3	B84143V0004R229*	3.8	2.9	52	60	112	72
05A6-3	B84143V0006R229*	5.3	4.0	73	100	173	72
07A2-3	B84143V0011R229*	7.2	5.4	94	90	184	72
09A4-3	B84143V0011R229*	9.2	6.9	122	90	212	72
12A6-3	B84143V0016R229*	12.1	9.1	172	80	252	72
017A-3	B84143V0025R229*	16	12.1	232	140	372	75
025A-3	B84143V0025R229*	24	17.7	337	140	477	75
032A-3	B84143V0033R229*	31	23.4	457	160	617	75
038A-3	B84143V0050R229*	37	27.5	562	220	782	78
045A-3	B84143V0050R229*	43	32.4	667	220	887	78
061A-3	B84143V0066R229*	58	43.7	907	250	1157	78
072A-3	B84143V0075R229*	64	48.2	1117	310	1427	79
087A-3	B84143V0095R229*	77	58.0	1120	400	1520	79
105A-3	B84143V0130R230**	91	68.6	1295	600	1895	80
145A-3	B84143V0162S229**	126	94.6	1440	550	1990	80
169A-3	B84143V0162S229**	153	115.0	1940	550	2490	80
206A-3	B84143V0230S229**	187	140.6	2310	900	3210	80
246A-3	B84143V0230S229**	209	157.6	3300	900	4200	80
293A-3	B84143V0390S229**	249	187.8	3900	1570	5470	80
363A-3	B84143V0390S229**	297	223.6	4800	1570	6370	80
430A-3	B84143V0390S229**	352	265.2	6000	1570	7570	80
$U_N = 500 \text{ V}$							
02A1-5	B84143V0004R229*	1.9	1.4	30	60	90	72
03A0-5	B84143V0004R229*	2.8	2.1	40	60	100	72
03A4-5	B84143V0004R229*	3.1	2.3	52	60	112	72
04A8-5	B84143V0006R229*	4.4	3.3	73	100	173	72

Drive type ACS880-01-...	Sine filter type	$I_{\text{cont. max}}$	$P_{\text{cont. max}}$	Heat dissipation			Noise dB(A)
				Drive	Filter	Total	
		A	kW	W	W	W	
05A2-5	B84143V0006R229*	4.8	3.6	94	100	194	72
07A6-5	B84143V0011R229*	7.0	5.3	122	90	212	72
11A0-5	B84143V0011R229*	10.2	7.7	172	90	262	72
014A-5	B84143V0016R229*	13	9.8	232	80	312	70
021A-5	B84143V0025R229*	20	14.7	337	140	477	75
027A-5	B84143V0033R229*	25	18.8	457	160	617	75
034A-5	B84143V0050R229*	32	23.7	562	220	782	78
040A-5	B84143V0050R229*	35	26.0	667	220	887	78
052A-5	B84143V0066R229*	44	33.2	907	250	1157	78
065A-5	B84143V0066R229*	52	39.2	1117	250	1367	78
077A-5	B84143V0075R229*	61	46.0	1120	310	1430	78
096A-5	B84143V0130S230**	80	60.6	1295	*630	1925	80
124A-5	B84143V0130S230**	104	78.7	1440	630	2070	80
156A-5	B84143V0162S229**	140	105.8	1940	550	2490	80
180A-5	B84143V0162S229**	161	121.3	2310	550	2860	80
240A-5	B84143V0230S229**	205	154.3	3300	900	4200	80
260A-5	B84143V0230S229**	221	166.7	3900	900	4800	80
361A-5	B84143V0390S229**	289	217.9	4800	1570	6370	80
414A-5	B84143V0390S229**	332	250.1	6000	1570	7570	80
<b><math>U_N = 690 \text{ V}</math></b>							
07A4-7	B84143V0010R230*	7.3	5.5	114	90	204	72
09A9-7	B84143V0010R230*	9.3	7.0	143	90	233	72
14A3-7	B84143V0018R230*	13.5	10.2	207	130	337	72
019A-7	B84143V0018R230*	17.1	12.9	274	130	404	72
023A-7	B84143V0026R230*	21	15.7	329	160	489	72
027A-7	B84143V0026R230*	25	18.6	405	160	565	72
07A3-7	B84143V0010R230*	7.3	5.5	217	90	307	72
09A8-7	B84143V0010R230*	9.3	7.0	284	90	374	72
14A2-7	B84143V0018R230*	13.5	10.2	399	130	529	72
018A-7	B84143V0018R230*	17.1	12.9	490	130	620	72
022A-7	B84143V0026R230*	21	15.7	578	160	738	72
026A-7	B84143V0026R230*	25	18.6	660	160	820	72
035A-7	B84143V0040R230*	33	25.1	864	250	1114	75

Drive type ACS880-01-...	Sine filter type	$I_{\text{cont. max}}$	$P_{\text{cont. max}}$	Heat dissipation			Noise dB(A)
				Drive	Filter	Total	
		A	kW	W	W	W	
042A-7	B84143V0040R230*	40	30.1	998	250	1248	75
049A-7	B84143V0056R230**	48	36.2	1120	290	1410	78
061A-7	B84143V0056R230**	56	42.5	1295	290	1585	78
084A-7	B84143V0092R230**	78	58.6	1440	610	2050	79
098A-7	B84143V0092R230**	92	69.3	1940	610	2550	79
119A-7	B84143V0130S230**	112	84.2	2310	630	2940	80
142A-7	B84143V0130S230**	112	84.7	3300	630	3930	80
174A-7	B84143V0207S230**	138	103.7	3900	930	4830	80
210A-7	B84143V0207S230**	161	121.3	4200	930	5130	80
271A-7	B84143V0207S230**	208	156.4	4800	930	5730	80
* minimum switching frequency 3.0 kHz							
** minimum switching frequency 2.4 kHz							

3AXD00000588487

## ■ Definitions

$P_{\text{cont. max}}$	Maximum continuous output power of the drive
$I_{\text{cont. max}}$	Maximum continuous output current of the drive
Noise	Noise level of the sine filters

## ■ Derating

See section [Deratings for special settings in the drive control program](#) on page 162.

## ■ Description, installation and technical data

See [Sine filters hardware manual \(3AXD50000016814 \[English\]\)](#)



## Further information

### Product and service inquiries

Address any inquiries about the product to your local ABB representative, quoting the type designation and serial number of the unit in question. A listing of ABB sales, support and service contacts can be found by navigating to [www.abb.com/searchchannels](http://www.abb.com/searchchannels).

### Product training

For information on ABB product training, navigate to [new.abb.com/service/training](http://new.abb.com/service/training).

### Providing feedback on ABB Drives manuals

Your comments on our manuals are welcome. Navigate to [new.abb.com/drives/manuals-feedback-form](http://new.abb.com/drives/manuals-feedback-form).

### Document library on the Internet

You can find manuals and other product documents in PDF format on the Internet at [www.abb.com/drives/documents](http://www.abb.com/drives/documents).

# Contact us

[www.abb.com/drives](http://www.abb.com/drives)

[www.abb.com/drivespartners](http://www.abb.com/drivespartners)

3AUA0000078093 Rev M (EN) EFFECTIVE: 2017-08-08